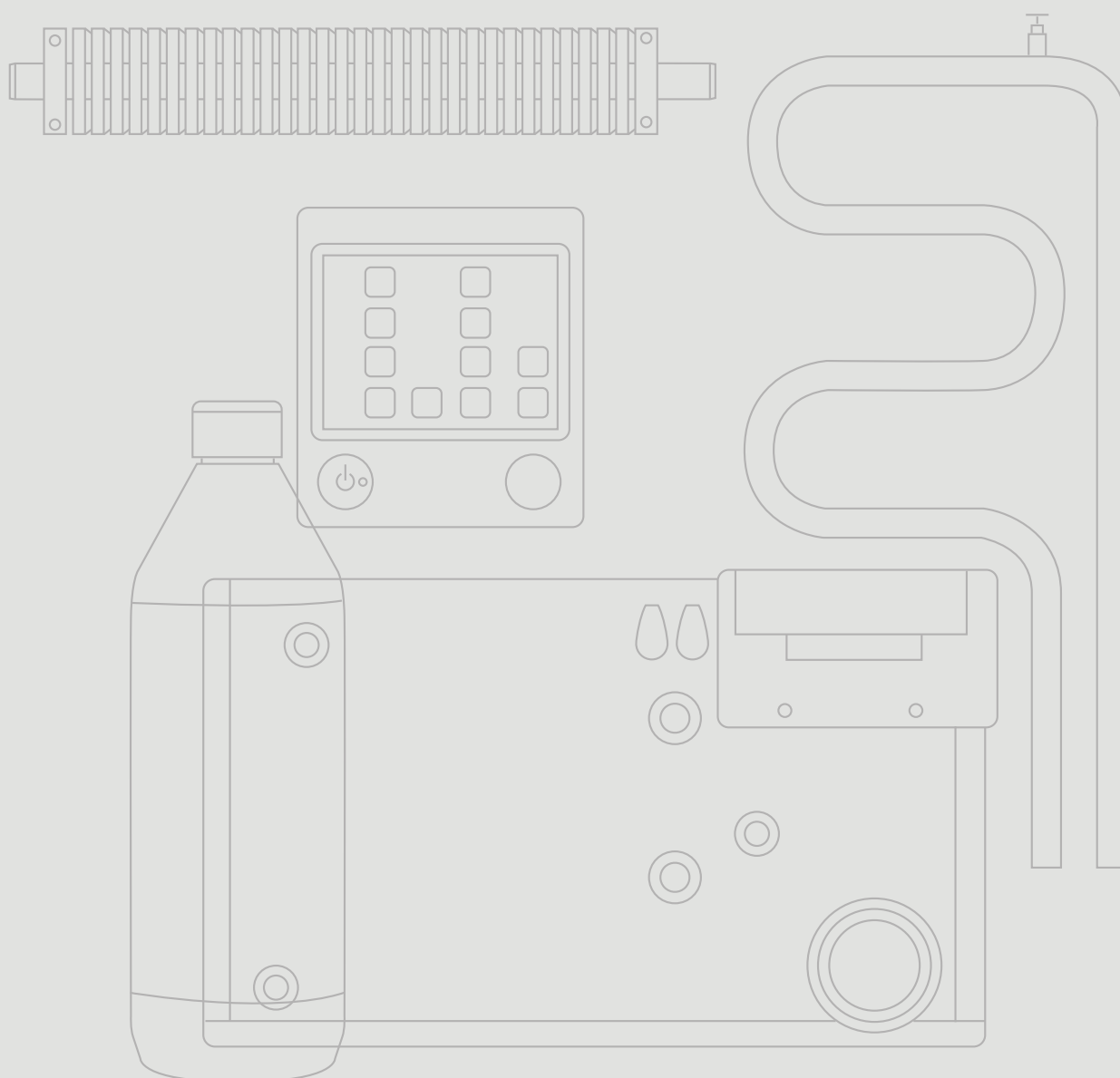


## Products & Spare parts No. 25

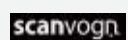
---



SE



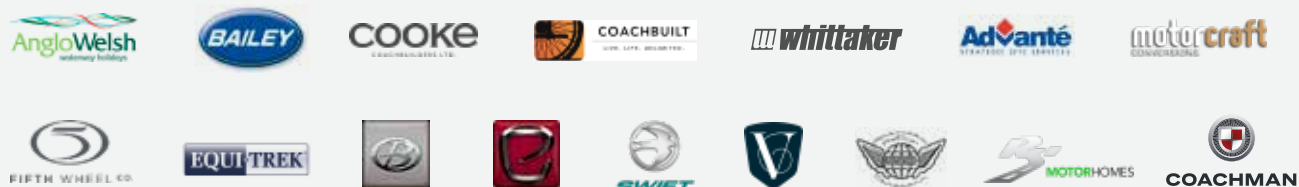
DK



DE



GB



FR



ES



IT



SL



HU



US



CA



KR



1



### Boiler Alde Compact 3020 HE

The boiler is the heart of the system which produces heating and hot water. It is powered by LPG and electricity.  
*Read more on pages 14-17.*

2



### Alde Flow

The accessory Alde Flow provides continuous hot water, as much and as long as you desire.  
*Read more on page 24.*

3



### Convectors

The convectors are placed along the outer wall where they produce heat and enclose the environment with a protective thermal barrier that prevents draughts.  
*Available in a variety of models on pages 28-29.*

4



### Underfloor Heating

Our underfloor heating based on pipe coils creates pleasant, warm floors with that extra comfort feeling.  
*Read more on pages 34-35.*

5



### Fan Convector

An efficient way to get rapid and directed heating, for example in wardrobes to dry damp clothes and shoes.  
*Read more on page 29.*

6



### Panel Radiator

Elegant solution for efficient heating of small spaces.  
*Read more on page 31.*

7



### Heated Towel Rail

Provides warm, soft towels and additional heat in the toilet space.  
*Available in a variety of models on pages 32-33.*

8



### Heat Booster

Small and powerful heating unit with integrated fan for rapid and directed heating.  
*Read more on page 30.*

9



### Heating Mat

Provides pleasant warmth in the drive cabin while you are on the road.  
*Available in a variety of LHD models on pages 36-37.*

10



### Engine Heat Exchanger

Uses the motorhome's engine cooling system to produce heating and warm water.  
*Read more on pages 26-27.*

11



### Seat Heating Convactor

Custom made convectors under the driver and passenger seat  
*Read more on page 29.*

12



### Control Panel

Our intuitive control panel gives you full access to the entire range of heating system functions, including a number of smart comfort settings.  
*Read more on page 18.*

13



### Alde Voice Control

Control the heating system with voice commands. Alde Voice Control consists of a microphone located in the ceiling and a receiver concealed by the control panel.  
*Read more on pages 8 and 19.*

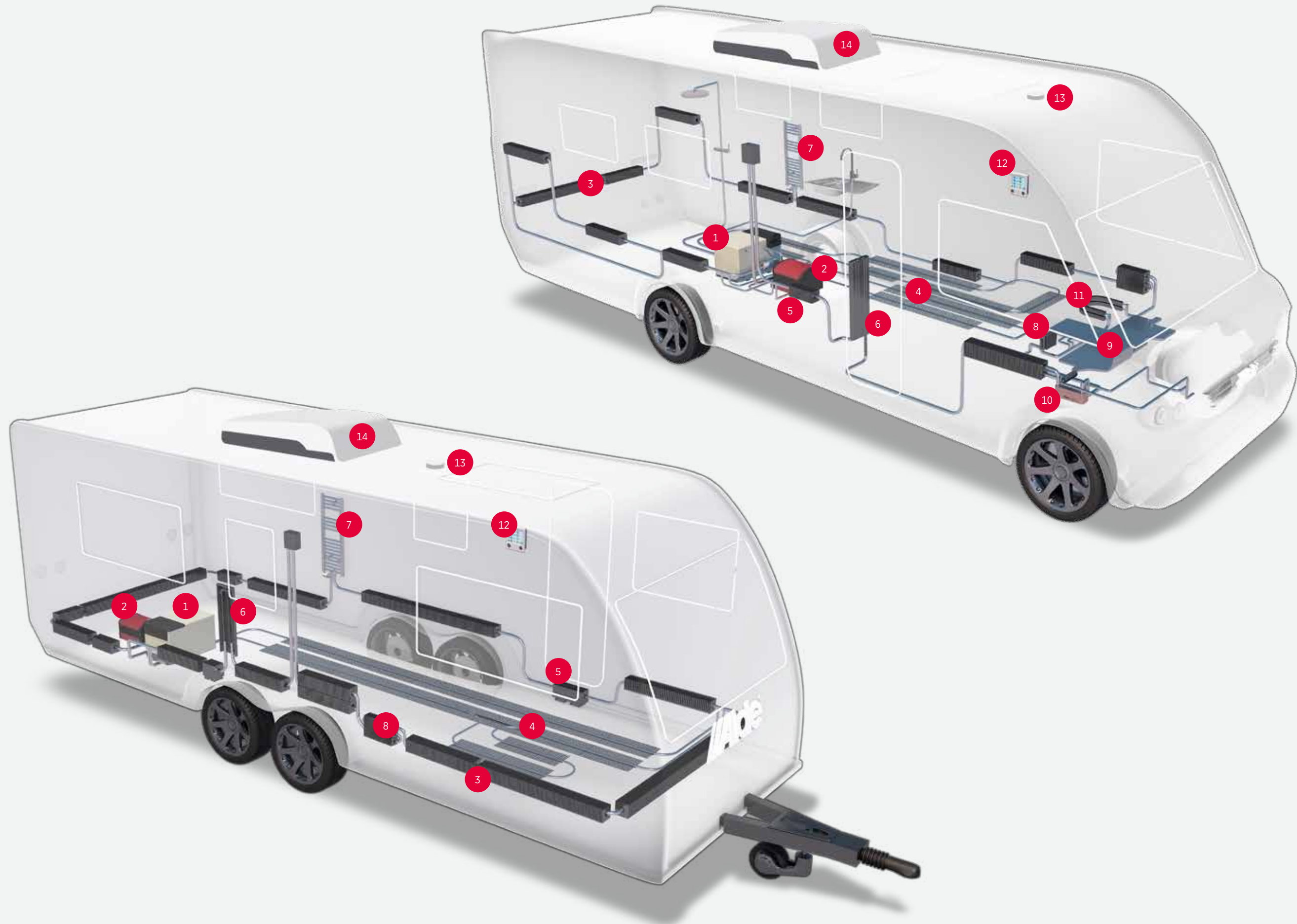
14



### Automatic Climate Control

Alde Heating System can be combined with an air conditioning from Truma. The electronic control ensures that you get the same, pleasant indoor temperature all year round.  
*Read more on next page.*

# Alde Heating System





# Automatic Climate Control



*The complete comfort solution*

Alde Heating Systems are designed to connect to an AC system from Truma. If you also install a load monitor, an outdoor sensor and two room sensors, this will give you a complete comfort solution.

This will provide the following benefits:

**Optimum temperature 24 hours a day, all year round, without ever having to adjust any settings.**

Enter your preferred temperature on the control panel and you can enjoy the perfect temperature without lifting a finger, both summer and winter. The AC system need never be switched off. The outdoor sensor ensures that the AC fan speed adapts to the actual need for cooling and that the AC system better reflects your needs, having taken into account the outdoor temperature.

The boiler and AC never work against one another, thus avoiding rapid and unwanted temperature fluctuations.

**Always the ideal temperature, 24 hours a day.**

Dual room sensors ensure the perfect temperature wherever you are. The automatic switch to bedroom sensors in Night Mode ensures the ideal temperature throughout the night.

In warmer climates where the AC needs to run overnight, the system automatically runs in silent mode during the selected Night Mode period.

**Enjoy smooth and comfortable temperature transitions.**

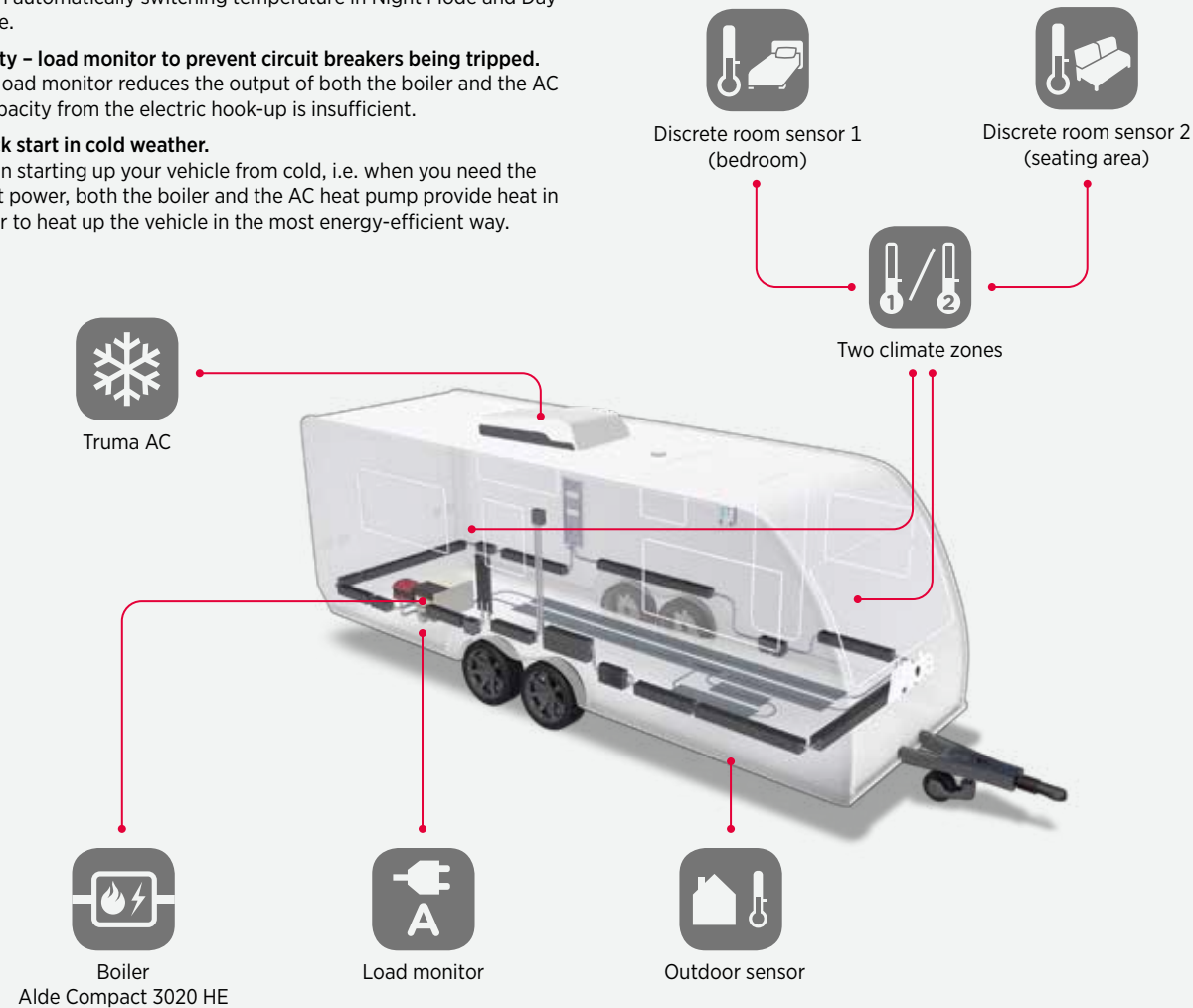
The automatic climate control system provides smooth changes in the indoor temperature and optimum utilisation of available power when automatically switching temperature in Night Mode and Day Mode.

**Safety – load monitor to prevent circuit breakers being tripped.**

The load monitor reduces the output of both the boiler and the AC if capacity from the electric hook-up is insufficient.

**Quick start in cold weather.**

When starting up your vehicle from cold, i.e. when you need the most power, both the boiler and the AC heat pump provide heat in order to heat up the vehicle in the most energy-efficient way.



## Retail packaged products



**Alde Voice Control**

Control the heating system with voice commands! Alde Voice Control allows you to conveniently give the following voice commands from anywhere in your caravan or motorhome:

- Increase or reduce the temperature by 0.5 °C.
- Switch on/off electric heater of 1, 2 or 3 kW.
- Switch on/off LPG heating.
- Start/stop/increase production of hot water.
- Set the temperature from 16 to 25 °C at one-degree intervals.
- Switch on/off the Automatic Climate Control (ACC)\*.
- Start the engine heater.
- Switch on/off Night Mode function.
- Switch on/off AC lighting\*.

Welcome to a new world of comfort and simplicity!

\* Only compatible with Truma Air Conditioning systems.

The product consists of a microphone installed in the ceiling of the vehicle and a concealed main unit (gateway) adjacent to the heating system control panel.

Part no. 3020190 Gateway  
 Part no. 3020191 Microphone (Swedish)  
 Part no. 3020192 Microphone (German)  
 Part no. 3020193 Microphone (International)  
 Part no. 3020194 Microphone (French)

**Alde Control Panel Upgrade**

For users with an older control panel for Alde Compact 3010, they can now update to the latest model, 3010613. An exclusive pack for the accessories shelf which sells well.

An installation frame is included for those customers who upgrade from the older LCD panel 3010213. For those upgrading from the black and white control panel 3010413, only the vertical installation dimension of 10 mm needs adjusting.

A new manual and installation instructions are included.

Part no. 3010615

**Alde Control Panel with touchscreen**

For users with an older control panel for Alde Compact 3020 HE, they can now update to the latest model, 3020 HE iNet ready.

The Alde Control Panel is based on the latest technology. Its 3.5" TFT touchscreen makes it easy to navigate through the various functions. The screen resolution ensures a clear picture in both daylight and darkness. The control panel also features a user-friendly interface, with self-explanatory menus in colour.

The Alde Control Panel can be connected to the Truma iNet System for remote control of your heating system from a smartphone – at any time wherever you are (Truma iNet System not included). Not compatible with Alde Compact 3010.

Part no. 3020101

**Alde Battery backup**

Used to retain the control panel settings when the vehicle's main switch is off. For 2x AA batteries (not included). For control panels 3010413 / 613 and 3020112.



Part no. 3010420

**Alde Discrete sensor**

Used to site a sensor wherever it is needed, or if the control panel's integrated sensor is affected by another heat source. Includes 2.0 m cable.

For control panels 3010213 / 413 / 613 and 3020112.

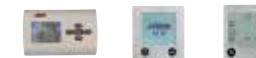


Part no. 3010346

**Alde Outdoor sensor**

Sensor with 2.5 m cable for measuring outdoor temperature. The temperature is indicated on the control panel display.

For control panels 3010213 / 413 / 613 and 3020112.



Part no. 3010299

**Alde Control panel fascia**

Fascia for control panels 3010613 and 3020112.

Part no. 3010603 Metallic grey.

Part no. 3010604 Gloss black.

**Alde Load monitor**

Used to limit power consumption of the vehicle. Automatically reduces the output of the electric element in the boiler in stages if the load is too high, e.g. if a coffee maker is switched on. Cable length 6 m.

For control panels 3010213 / 413 / 613 and 3020112.



Part no. 3010315

**Alde Premium G13 Antifreeze**

Premixed and ready to use ethylene glycol antifreeze, specially formulated for Alde heating systems and containing silicated OAT. VAG G13 Spec. Protects to -37°C, with 5 year corrosion protection. Supplied in plastic bottles of 1, 4 or 25 litres.

Only available in boxed quantities.

Part no. 4070120 1 lt. 12 pcs/pack.

Part no. 4070121 4 lt. 2 pcs/pack.

Part no. 4070123 25 lt.



### Alde Condensate spout

An accessory for every winter camper.

Ice formation on the side of the vehicle in winter is a well-known problem for caravan and motor caravan owners. The Condensate spout just clicks onto the wall flue. It also ensures the vehicle's heating system continues to operate. New flue cap in matching colour included.

Part no. 3010699



### Alde Flue cap

Flue caps in different colours for side-fitted flue terminals

Part no. 3010391 White.

Part no. 3010392 Light grey.

Part no. 3010393 Medium grey.

Part no. 3010394 Dark grey.

Part no. 3010395 Black.



### Alde High Altitude Valve

The Alde high altitude valve can be engaged manually when you are at altitudes above 1,000 metres. The high-altitude valve reduces the pressure in the burner to adapt it to the lower air pressure.

Part no. 4115101



### Alde Thermostatic Mixing Valve 3

Thermostatic mixing valve with wall-mounting bracket. For prevention of hot water scalds by mixing hot water with cold before the outlet. Warm water temperature adjustable between 30 to 40 °C. Quick response with emergency cut-off and sediment filters. Highest standard, suitable for nursery and elderly care environments.

Integral Ø 12 mm JG Speedfit connections, no adaptors necessary.

Part no. 3102006

#### Technical data

Breadth: 101 mm.

Height: 93 mm.

Depth with bracket: 30 mm.

Weight: 0,3 kg.

Maximum working pressure: 5,0 bar.

Minimum working pressure: 0,2 bar.

Minimum flow rate 15 mm: 1 l/min.

Temperature, hot supply: 55 °C - 65 °C (max 85 °C).

Temperature, cold supply: 5 °C - 25 °C.



### Alde Leak spray

Leak spray 100 ml. Used for checking gas connections under pressure. Clear bubbles are formed over any leak. 12 pcs/box. Only available in boxed quantities.

Part no. 4076000



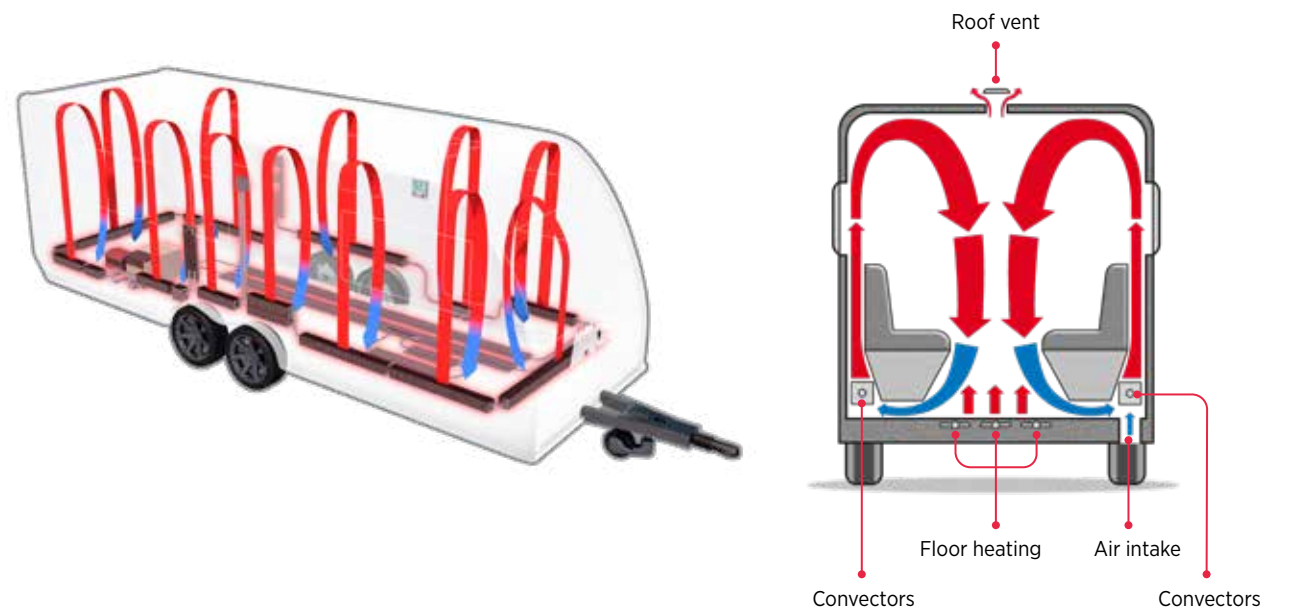


The Alde central heating system is a hydronic system, with the same heating principle as in most of our homes. The heat source comprises a LPG boiler with an immersion heater, which heats a liquid mixture consisting of water and glycol. Hot glycol water circulates around the system through radiators and pipes by means of a pump. The convectors that are placed along the outer walls heat the air. This then rises and heats the walls and furniture. Since hot air rises, an air barrier is formed in front of the windows, which keeps the chill off. When the warm air reaches the ceiling, it circulates down towards the floor and is reheated by the convectors. Each vehicle must have ventilation, i.e. fresh air needs to be supplied and used air expelled. The supplied fresh air in the vehicle should be directed in through an insulated air intake and on up through a convector with closely spaced slats. In this way the incoming fresh air is heated when the heating system is operational. The used air is ventilated out through the roof panel and ventilators.

The installation is important to produce the best heat distribution and pleasant heating.

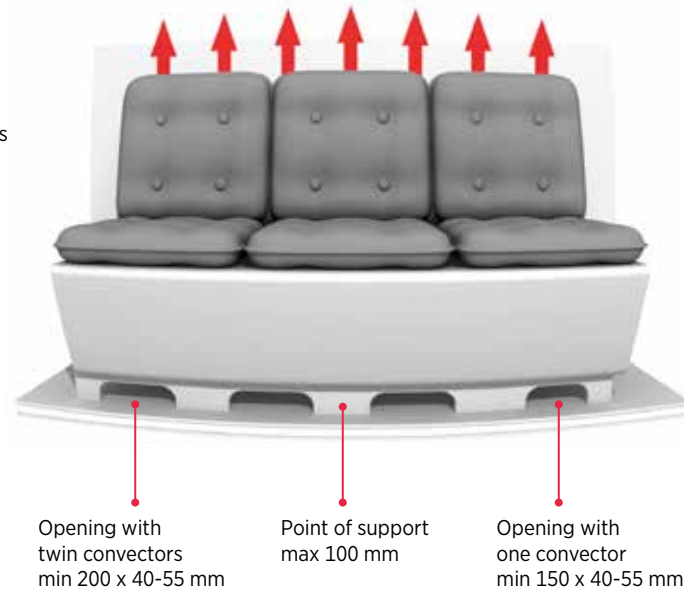
- As many and as long convectors as possible.
- Convectors must be placed under each window.
- The convectors are installed along and up against the outer walls.
- Air must be able to pass under beds and behind backrests.
- Ventilation in the cabinet so that air can circulate.

If the installation is correct, the natural flow of heat from the Alde central heating system means that the entire living space is wrapped in a comfortable environment, which shuts out draughts, eliminates cold spots and also heats both beds and cabinets. The installation of underfloor heating is also recommended to give a very complete heating system with maximum comfort. The heating pipes in the floor are connected to the ordinary pipe system.

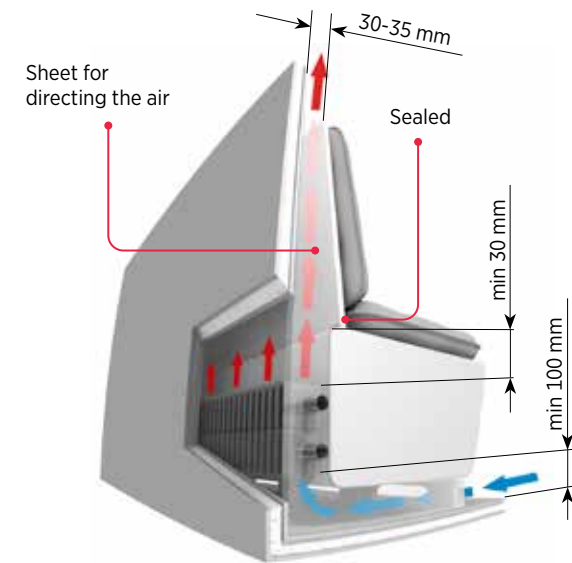


**Installation Suggestions**

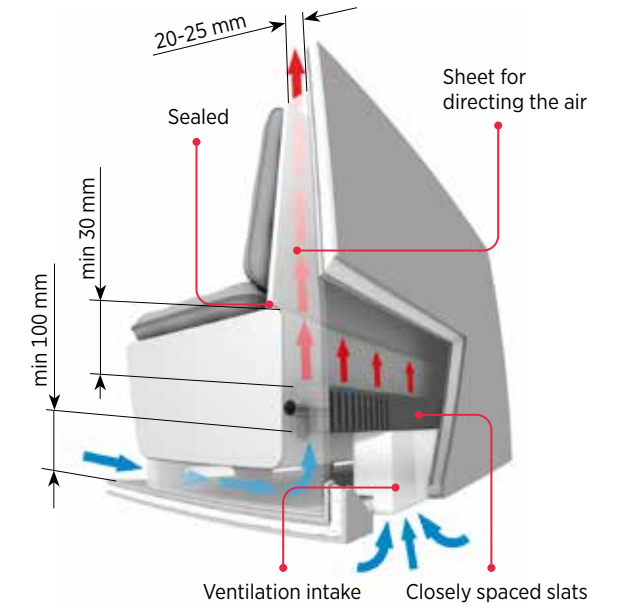
For the heating system to work optimally, it is important that the convectors should be installed in the right way. Below are given some examples of the most common ways of installing convectors and pipes.



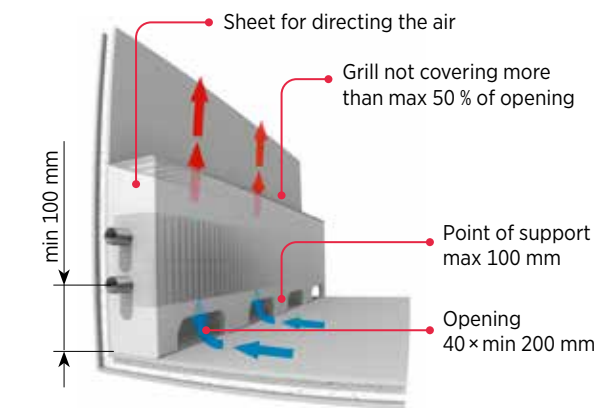
**Twin convectors in bed case**



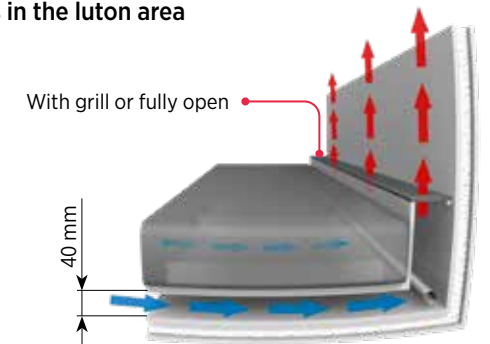
**Convector and ventilation intake in bed case**



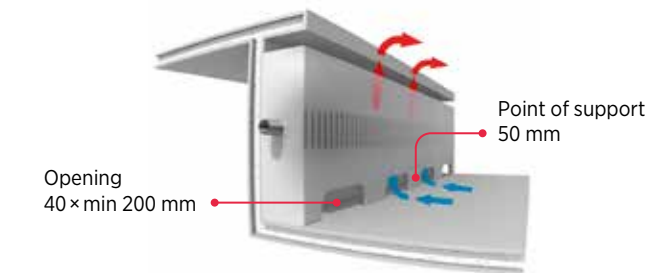
**Twin convectors on wall**



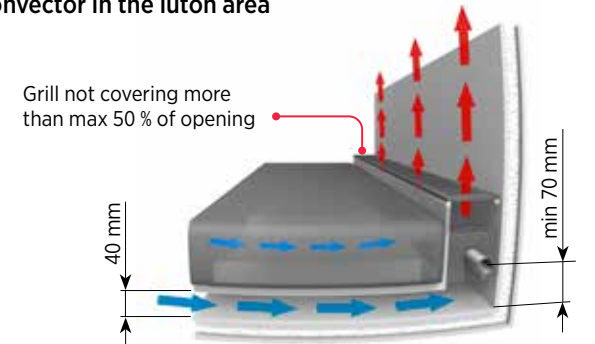
**Pipes in the luton area**



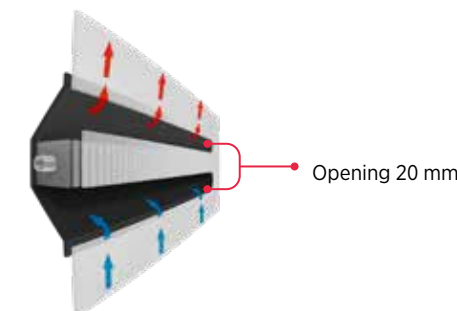
**Convector at entrance**



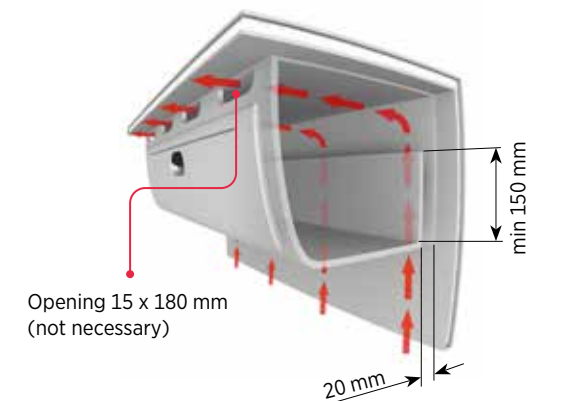
**Convector in the luton area**



**In-built convector**



**Air circulation in cabinet**



**Boiler for mobile leisure vehicles.**

All connections – fluids, gas and electricity – are located on the long side. This makes it easy to install and service the Compact 3020 HE. The installation dimensions will also be minimal as there are three sides which are completely free.

Inside the metal surround of the Compact 3020 HE is the LPG-powered burner which works with two output steps depending on the output needed.

All of the Compact 3020 HE models are equipped with two 230 V electric elements with a maximum output of 3150 W.

The hot water heater in the boiler is of storage type and can hold more than 8 litres of fresh water.

Control of the boiler is via a processor on the boiler's circuit board.

Alde Compact 3020 HE can be connected to most models\* of Truma AC and therefore give full climate control.

The Compact 3020 HE can generally be installed wherever you want. Either inside the living space, such as e.g. in a wardrobe or storage space, or installed outside in any storage area or in a space between floors.

Release of exhaust gas and intake of air can either be via a side-mounted flue or one fitted on the roof.

Part no. 30209090 Basic model

Gas fittings are not included with the boiler.

*We also have bespoke models which are prefitted with e.g. water connections, automatic bleeding and a 12 volt circulation pump.*



**Technical data**

Boiler height: 310 mm

Boiler depth: 340 mm

Boiler width: 510 mm

Weight: 14 kg (without fluid)

Gas:	Propane	Butane
Output 1 :	3,3 kW	3.8 kW
- Consumption:	245 g/h	275 g/h
Output 2:	5,5 kW	6,4 kW
- Consumption:	405 g/h	460 g/h

Pressure:  $I_{3+}$  28-30/37 mbar.  $I_{3B/P}$  30 mbar

Volume of liquid, radiator water: 3,5 Liter

Max pressure radiator water: 0,05 MPa (0,5 bar)

Volume of liquid, domestic hot water: 8,4 Liter

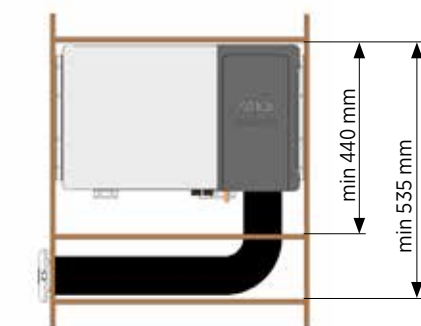
Max pressure domestic hot water: 0,3 MPa (3,0 bar)

System temperature (max.): 80 °C.

Output element (2 or 3 kW): 230-240 V-: 1×1050 W + 1×2100 W.

Current consumption 12 V DC: 1,9 A (max)

**Installation space**



**Boiler construction**

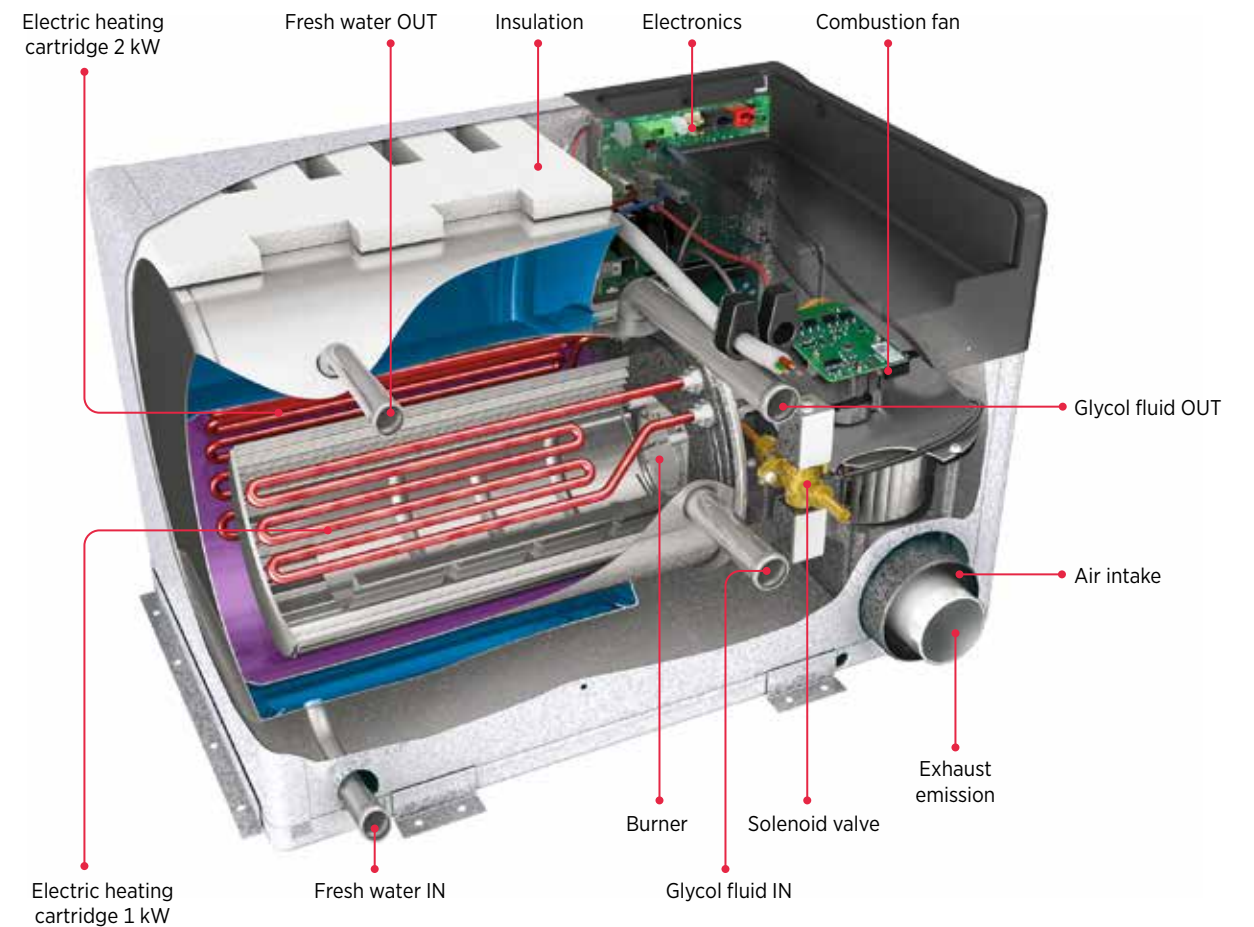
The boiler's internal heat exchanger consists of three concentric cylinders; the combustion chamber, the central heating cylinder and the hot water cylinder.

The combustion chamber is made from aluminium, and is divided into two halves by a baffle plate, with the burner head located in the top half, and the flue gases venting through the bottom half.

The combustion assembly is fixed to the end of the internal heat exchanger. It consists of the burner, combustion fan, gas valve, air intake and exhaust ducts, and gas line.

Two electric heating elements are sealed inside the central heating cylinder, one for 1 kW, one for 2 kW.

The room thermostat is integrated into the touchscreen control panel and connected to the boiler by a Registered Jack (RJ) cable.



\* Truma Aventa (comfort, eco, compact, compact plus).  
Truma Saphir comfort RC, Truma Saphir compact (from serial no. 23091001)



**A number of fittings are needed to install and use the Alde Compact 3020 HE:**

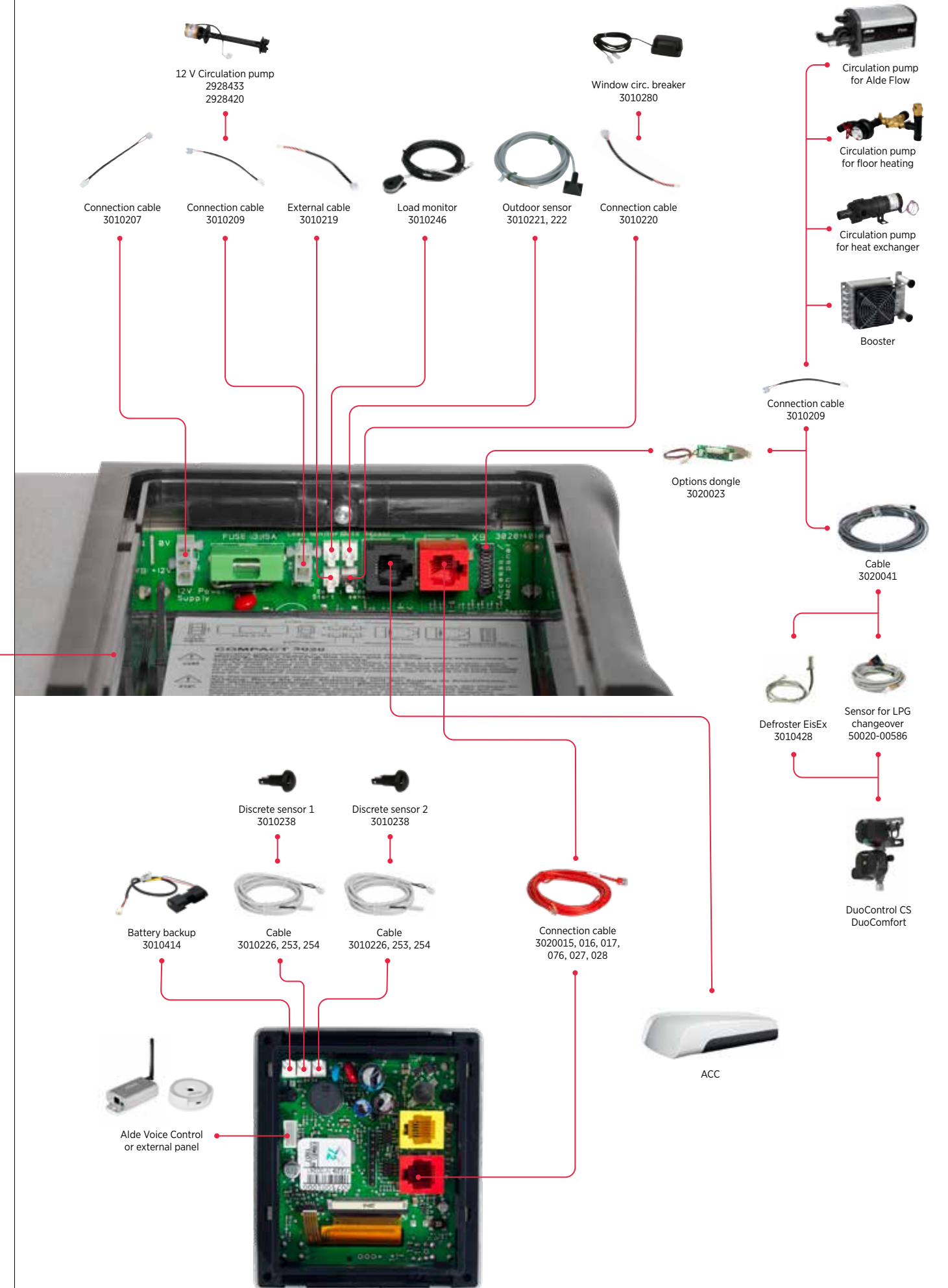
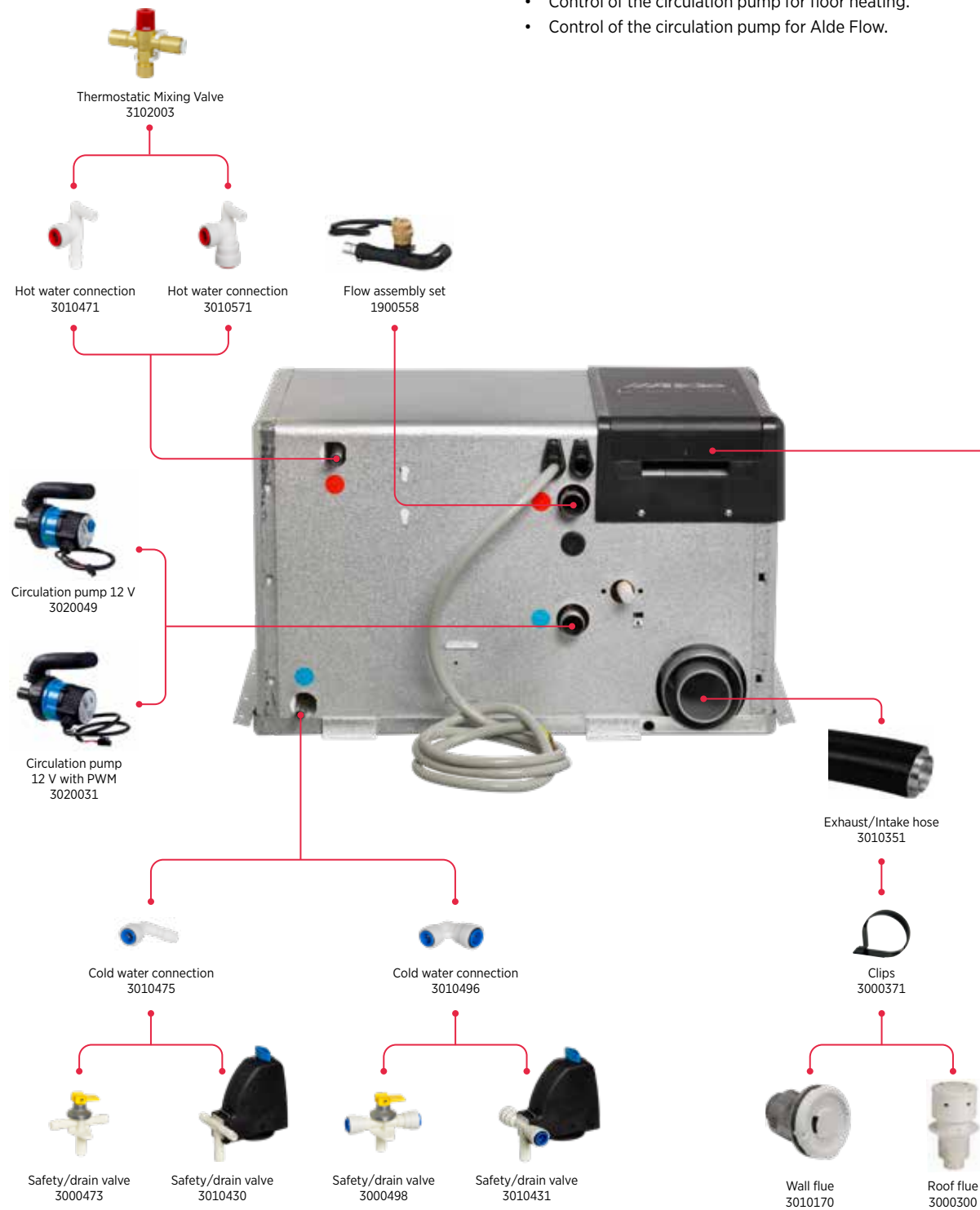
- Flue, roof-mounted or side-mounted.
- Intake and exhaust hose.
- Connection cable for control panel.
- Control panel.
- 12 V circulation pump.
- Bleeding kit (recommended).
- Nipples for the fresh water connections.
- Safety/drain valve.

**Get more from your Alde heating system!**

- Outdoor temperature sensor.
- Discrete room temperature sensor.
- Load monitor.
- Battery backup.
- Alde Voice Control.
- Connection to AC.

**With options dongle:**

- Defroster to pressure reducing valve.
- Sensor for LPG changeover.
- Control of the circulation pump with PWM.
- Control of fan on heat booster.
- Control of the circulation pump for the heat exchanger.
- Control of the circulation pump for floor heating.
- Control of the circulation pump for Alde Flow.



**Control panel with colour touch screen**

Alde Control Panel is based on the latest technology. Its 3.5" TFT touch screen makes it easy to navigate through the various functions. The screen resolution ensures a clear picture in both daylight and darkness. The control panel also features a user-friendly interface, with self-explanatory menus in colour. Alde Compact 3020 HE can be connected to most models\* of Truma AC and therefore give full climate control.

**An options dongle** (art. nr 3020023) allows access to the following premium functions:

- Control of the floor heating pump.
- Control of the booster fan.
- Control of the circulation pump for the heat exchanger.
- Control of Alde Flow.
- DuoControl changeover with EisEx.



The control panel is divided into three menu categories:

**Standby Screen.** The time and temperature are shown here, along with whatever is connected to the Compact 3020 HE.

**Main Menu.** The basic heating settings are defined here: required temperature, extra hot water and energy selection, among other things.

**Settings Menu.** Here you can adjust and connect additional functions to the Compact 3020 HE.

Dimensions: 97 x 86 mm.

- Part no. 3020112 Control panel
- Part no. 3010616 Metallic grey trim
- Part no. 3010618 Gloss black trim

\* Truma Aventa (comfort, eco, compact, compact plus).  
Truma Saphir comfort RC, Truma Saphir compact (from serial no. 23091001)



Standby Screen



Main Menu



Settings Menu



Service Menu

**Connection cable**

Connection cable between boiler and control panel 3020113 / 114.

- Part no. 3020015 Length 3,0 m.
- Part no. 3020027 Length 6,0 m.
- Part no. 3020017 Length 9,0 m.
- Part no. 3020076 Length 10,0 m.
- Part no. 3020028 Length 12,0 m.
- Part no. 3020018 Length 15,0 m.



**Battery backup**

Used to retain the control panel settings when the vehicle's main switch is off.

For 2x AA batteries (not included).

Part no. 3010414



**Discrete sensor**

Small button-design sensor, used to site a sensor wherever needed, or if the control panel's integrated sensor is affected by another heat source. Extends 8 mm from the wall.

Two discrete room sensors can be connected to the control panel. For best performance and comfort, one sensor will be sited in the bedroom area and one in the living room area. The governing room sensor can be selected on the control panel.

- Part no. 3010238 Sensor.
- Part no. 3010226 Cable. Length 0.5 m.
- Part no. 3010253 Cable. Length 2.0 m.
- Part no. 3010244 Cable. Length 5.0 m.
- Part no. 3010254 Cable. Length 8.0 m.



**High exposure room sensor**

Extremely sensitive discrete room sensor for the ultimate in accuracy. Extends 13 mm from the wall. Size 32 x 13 mm.

Part no. 3010638



**Outdoor sensor**

Sensor with cable for measuring outdoor temperature. With the outdoor sensor connected becomes automatic air conditioning even better.

- Part no. 3010221 Length 2.5 m.
- Part no. 3010222 Length 5.0 m.



**Load monitor**

Used to limit power consumption of the vehicle. Reduces the output of the electric element in stages if the load is too high. This prevents the circuit breaker from tripping when you are using high-consuming appliances, such as coffee maker, kettle, blow dryer or vacuum cleaner.

- Part no. 3010246 Length 6.0 m.
- Part no. 3010251 Length 14.0 m.



**Options dongle**

An options dongle allows access to premium functions, such as control of the floor heating pump, booster fan and heat exchanger, from the control panel. It also allows a DuoControl LPG changeover device to be connected and can be used for controlling a tank for additional hot water.

The options dongle is fitted in the service hatch of the boiler with the fasteners supplied.

Part no. 3020023



**Sensor for LPG changeover**

Indicates whether the LPG cylinders are ready for use. Cable length 1.5 m. The sensor is fitted to Trumas DuoControl CS (Black Line).

Connects to the options dongle via cable 3020041. For use with Alde Compact 3010, use cable 3010419. Part no. 50020-00586



**Defroster EisEx**

EisEx, 12 volts defroster. Prevents icing of the regulator in the winter. Installed in the existing outlet on the regulator.

Fits Truma MonoControl CS, DuoControl CS, SecuMotion, DuoComfort and DuoControl.

Connects to the options dongle via cable 3020041. For use with Alde Compact 3010, use cable 3010419. Part no. 3010428



**Cable for LPG changeover**

Used between the options dongle and sensor 50020-00586 as well as defroster 3010428. Length 10 m.

Part no. 3020 041



**Alde Voice Control**



Control the heating system with voice commands! Alde Voice Control allows you to conveniently give the following voice commands from anywhere in your caravan or motorhome:

- Increase or reduce the temperature by 0.5 °C.
- Switch on/off electric heater of 1, 2 or 3 kW.
- Switch on/off LPG heating.
- Start/stop/increase production of hot water.
- Set the temperature from 16 to 25 °C at one-degree intervals.
- Switch on/off the Automatic Climate Control (ACC)\*.
- Start the engine heater.
- Switch on/off Night Mode function.
- Switch on/off AC lighting\*.

Welcome to a new world of comfort and simplicity!

\* Only compatible with Truma Air Conditioning systems.

The product consists of a microphone installed in the ceiling of the vehicle and a concealed main unit (gateway) adjacent to the heating system control panel.

- Part no. 3020180 Gateway
- Part no. 3020181 Microphone (Swedish)
- Part no. 3020182 Microphone (German)
- Part no. 3020183 Microphone (International)
- Part no. 3020184 Microphone (French)



**Window circuit breaker**

Switches off LPG operation of the boiler if the window is opened.

- Part no. 3010280 Window circuit breaker.
- Part no. 3010220 Connection cable. Length 0.2 m.



**Lead for external start**

Lead to connect to telemetry system for external start of the boiler. Length 0.2 m.

Part no. 3010219



**Cable for booster fan and circulation pumps**

Cable for connecting a booster fan and 12 V circulation pumps. Length 0.2 m.

Part no. 3010209





**Wall flue**

Flue for side installation. Delivered with hose clips for exhaust hose and inlet hose. Size of hole Ø 83 mm.

- Part no. 3010170 White flue cap.
- Part no. 3010375 Light grey flue cap.
- Part no. 3010376 Medium grey flue cap.
- Part no. 3010386 Dark grey flue cap.
- Part no. 3010384 Black flue cap.



**Condensate spout**

An accessory for every winter camper.

Ice formation on the side of the vehicle in winter is a well-known problem for caravan and motor caravan owners. The Condensate spout just clicks onto the wall flue. It also ensures the vehicle's heating system continues to operate. Material: PE black.

Part no. 3010697



**Hose set for flue**

Exhaust hose Ø 50.5 mm and intake hose Ø 75 mm in aluminium.

Permitted length of hose with wall flue 0.5-2.0 m.  
Permitted length of hose with roof flue 2.0-3.5 m.

- Part no. 3010351 Length 0.7 m.
- Part no. 3010352 Length 0.97 m.
- Part no. 3010353 Length 1.45 / 1.5 m.
- Part no. 3010355 Length 2.45 / 2.5 m.



**Insulation hose**

Insulation hose Ø 80 x 13 mm. Is mounted on the Intake hose in order to reduce noise from fan and boiler operation. Length 2.0 m.

Part no. 3000361



**Roof flue**

Roof flue including hose clips for exhaust and intake hose.

Internal diameter 76 mm. Max. roof thickness 60 mm.  
Height above roof, 95 mm.  
15 pcs/pack.

Part no. 3000300



**Extension pipe**

Extension pipe for roof flue for winter camping. Extends the flue by 200 mm.

Part no. 3000320



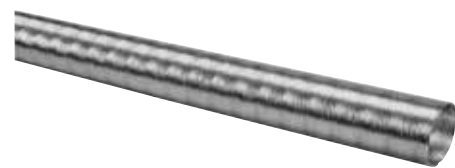
Roof flue mounted on extension pipe

**Exhaust hose**

Exhaust hose Ø 50.5 mm.

Permitted length of hose with wall flue 0.5-2.0 m.  
Permitted length of hose with roof flue 2.0-3.5 m.

- Part no. 3000359 Aluminium. 20 m/pack.
- Part no. 3000350 Stainless steel. 20 m/pack.



**Intake hose**

Intake hose Ø 75 mm in aluminium.

Permitted length of hose with wall flue 0.5-2.0 m.  
Permitted length of hose with roof flue 2.0-3.5 m.

Part no. 3000360 Per metre. 40 m/pack.



**P-Clips**

P-Clips for securing Intake hose. The hose should be fastened at c/c 60 cm. 450 pcs/pack.

Part no. 3000371



**FrostControl**

Combined safety valve and drain tap. Integrated frost protection that opens and drains the water heater automatically when there's a risk of frost (about +3 °C). The drain tap can also be opened manually. Installed close to the boiler's incoming fresh water pipe.

- Part no. 3010430 Ø 10 mm hose connection.
- Part no. 3010431 Ø 12 mm connection John Guest.



**Safety/drain valve**

Combined safety valve and drain cock. The safety valve opens at 3.5 bar. When draining water from the heater, the yellow lever is pushed upwards. Installed close to the boiler's incoming fresh water pipe..

- Part no. 3000473 Ø 10 mm hose connection.
- Part no. 3000498 Ø 12 mm connection John Guest.



**Domestic cold water connection**

Angle 90° for cold water.

- Part no. 3010475 Ø 10 mm hose connection.
- Part no. 3010496 Ø 12 mm connection John Guest.



**Domestic hot water connection**

Angle with built-in non-return valve which allows air in when the heater is drained. For hot water. Incl. 0.5 m hose for air in.

- Part no. 3010471 Ø 10 mm hose connection.
- Part no. 3010571 Ø 12 mm connection John Guest.



**Water connection kit**

Complete kit consisting of a safety valve / drain tap as well as cold and hot water connections.

For Ø 10 mm hose connection.

Part no. 3010598



**Water connection kit - Speedfit**

Complete kit consisting of a safety valve / drain tap as well as cold and hot water connections.

For Ø 12 mm John Guest connection.

Part no. 3010597





**Circulation pump**

Factory-fitted circulation pump 12 V for mounting on the Compact 3020th. Knob on pump motor for setting five different pumping speeds 6-15 l / min.  
Power consumption 12 volts: 00:25 - 1.9 A.  
Ø 22 mm connection.  
Part no. 3010507



**Inline circulation pump**

Factory-fitted circulation pump for Compact 3020. Five speed with adjustable dial on motor.  
Power consumption 12 Volt: 0.25 - 1.6 A.  
Ø 22 mm connection.  
Part no. 3020049



**Inline circulation pump - Remote controlled**

Circulation pump for mounting on Compact 3020. Connected to control panel to allow remote control of pump speed by PWM. Five speeds.  
Power consumption 12 V: 0.25 - 1.6 A.  
Ø 22 mm connection.  
Part no. 3020031



**Expansion tank - Bottom Filled**

Expansion tank in plastic with drainage and bleed hose. Reversible, with three wall mountings. Single port. For use with bottom-filled systems only.  
Part no. 3020045

**Technical data**

Breadth: 220 mm.  
Height: 300 mm.  
Depth: 40 mm.  
Volume: 2,0 Liter.  
Connection: Ø 22 mm.



**Floor inlet**

Floor inlet for air hoses and draining hoses from the expansion tank and boiler. Outlet for four hoses.  
Size of hole: Ø 32 mm. 50 pcs/pack.  
*(The hoses are not included, only for the illustration)*  
Part no. 1900565



**Flow Assembly**

Rubber connector with automatic air bleed valve, and non-return valve to prevent auto-circulation of central heating. Fitting to the flow duct of the boiler.  
Part no. 1900558



**Expansion tank - Wall**

Expansion tank including wall-mounting, mounting nuts for circulation pump and drainage hose. Reversible for adaptation to the heating system's pipes.  
Part no. 3000420

**Technical data**

Breadth: 180 mm.  
Height: 231 mm incl caps and connecting pipe.  
Depth: 75 mm.  
Volume: 1,5 lt.  
Connection: Ø 22 mm.



**Protective cover - Wall**

Protective cover in light grey plastic, for mounting in front of the expansion tank. Also protects the circulation pump.  
Only fits expansion tank 3000 420.  
Part no. 3000440 700 x 200 mm.  
Part no. 3000600 1050 x 200 mm.



**Expansion tank - Corner**

Expansion tank for corner installation including wall-mounting, mounting nuts for circulation pump and drainage hose.  
Part no. 3000495

**Technical data**

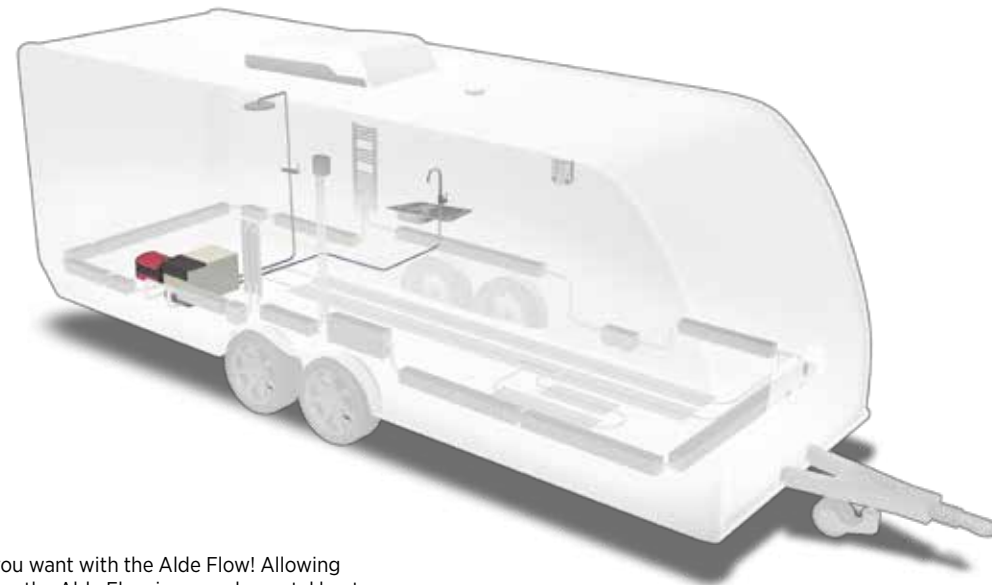
Breadth: 210 mm.  
Height: 231 mm incl caps and connecting pipe.  
Depth: 116 mm.  
Volume: 2,0 lt.  
Connection: Ø 22 mm.



**Protective cover - Corner**

Protective cover in light grey plastic, for mounting in front of the expansion tank.  
Only fits expansion tank 3000 495.  
Size ca 710 x 250 mm.  
Part no. 3000640





**Alde Flow**

Shower as long as you want with the Alde Flow! Allowing continuous hot water, the Alde Flow is a supplemental heat exchanger connected to the 3020 Compact HE system. By increasing the surface area between the central heating and hot water, the water can be heated as it flows through the system without needing a large storage tank.

Alde Flow, in combination with Alde Compact 3020 HE\* in boost mode and with a flow of 3.5 litres per minute (equal to a standard caravan/motorhome shower) gives you continuous 40 °C shower water as long as you have a fresh water supply.

For pre-2016 Alde Compact models, Alde Flow functions as auxiliary 6 litre hot water storage.

If installing Alde Flow, water connections are needed along with a safety valve/drain tap (see page 21).

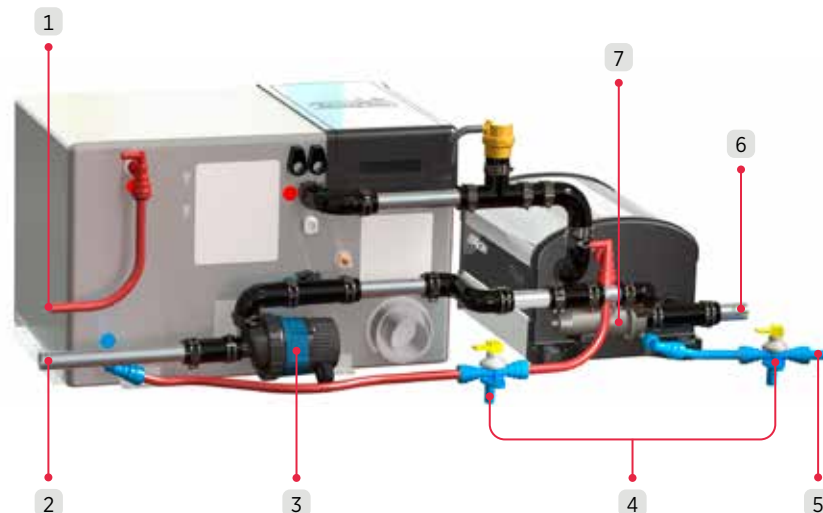
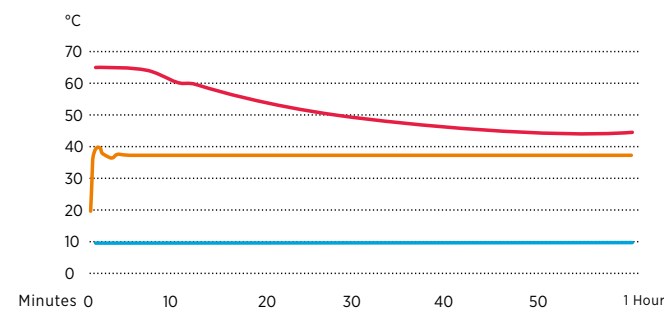
Part no. 3020161

\* Applies from 2016 models

**Technical data**

Breadth: 225 mm.  
 Height: 180 mm.  
 Depth: 320 mm, without pump.  
 Weight: 2,3 kg.

A one-hour shower at a flow of 3.5 l/min.  
 Hot water temperature boiler. —  
 Shower water temperature (38 °C). —  
 Supply water temperature (10 °C). —



1. Hot water OUT.
2. Return from central heating system.
3. Circulation pump central heating system.
4. The safety / drain valve.
5. Fresh water IN.
6. Non-return valve.
7. Circulation pump Alde Flow

**Alde Thermostatic Mixing Valve 3**

Thermostatic mixing valve with wall-mounting bracket. For prevention of hot water scalds by mixing hot water with cold before the outlet. Warm water temperature adjustable between 30 to 40 °C. Quick response with emergency cut-off and sediment filters. Highest standard, suitable for nursery and elderly care environments.

Integral Ø 12 mm JG Speedfit connections, no adaptors necessary.  
 Part no. 3102003

**Technical data**

Breadth: 101 mm.  
 Height: 93 mm.  
 Depth with bracket: 30 mm.  
 Weight: 0,3 kg.  
 Maximum working pressure: 5,0 bar.  
 Minimum working pressure: 0,2 bar.  
 Minimum flow rate 15 mm: 1 l/min.  
 Temperature, hot supply: 55 °C - 65 °C (max 85 °C).  
 Temperature, cold supply: 5 °C - 25 °C.



**Alde Water Pump**

Fresh water pump, foot-operated diaphragm type. Made of die cast light-alloy. Pumping heights up to 4 m. Maximum suction lift 1 meter.

Part no. 3080901  
 Part no. 3080006 Rubber diaphragm (spare part).



**Ball valve**

Brass ball valve tap ¼" R female. 30 pcs/pack.  
 Part no. 3565000



**Hose nipple**

Hose nipple for Ø 10 mm hose. ¼" R male.  
 Part no. 2950147



**Hose nipple**

Hose nipple for Ø 12 mm hose. ¼" R male.  
 50 pcs/pack.  
 Part no. 2950135



**Non-return valve**

Non-return valve in chrome plated brass. ¼" R female.  
 Part no. 3568000



**Battery box**

Plastic battery box with cover and strap. Dimensions: H 200 x B 270 x D 190 mm. 20 pcs/pack.  
 Part no. 6431000



## Engine heat exchanger

The waste heat in an engine's cooling system can be used for heating the living space via Alde's engine heat exchanger and central heating system. Then all that's required is to set the desired room temperature on the control panel as normal and the central heating circulates automatically when called for.

The system can be reversed if a circulation pump (2755) is installed in the engine cooling system, allowing the engine to be pre-heated, saving the extra fuel used in cold starting.

When installing the engine heat exchanger, the vendor or vehicle manufacturer should be consulted to avoid technical mishap.

Part no. 2968901 Standard model.

Part no. 2968912 With shut-off cock, angled connections and venting nipple..



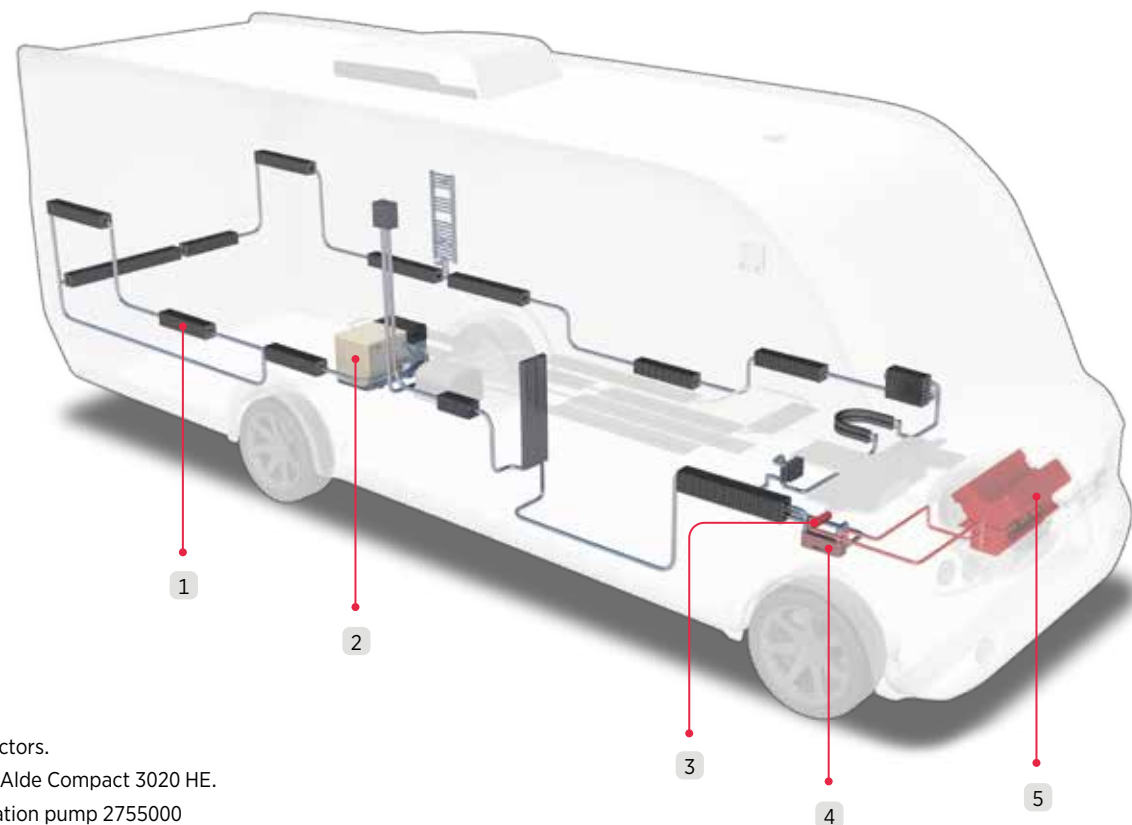
### Technical data

Dimensions: L 190 x B 72 x H 65 mm (excl. connections).

Weight: 1,3 kg.

Connection to the heating system: Ø 22 mm.

Connection to the engine system: Ø 16 mm.



1. Convectors.
2. Boiler Alde Compact 3020 HE.
3. Circulation pump 2755000
4. Engine heat exchanger 2968.
5. Engine.

## Bracket

Bracket for engine heat exchanger.

Part no. 2968303



## Rubber elbow

Rubber elbow 150 x 150 mm. Ø 15 x 4.5 mm. 100 pcs/pack.

Part no. 2968301



## Radiator hose

Radiator hose reinforced, Ø 15.7 x 3.6 mm. 60 m/pack.

Part no. 2968302



## Band clip

Band clip 22 x 12 mm for reinforced radiator hose and rubber elbow 2968301.

Part no. 1900225



## Connector

Plastic connector 16 - 22 mm.

Part no. 2968322



## T-pipe

For the connection of the engine heat exchanger to the motor.

Part no. 2968304 16/16/16 mm in brass.

Part no. 2968316 16/19/19 mm in brass.

Part no. 2968319 19/19/19 mm in brass.

Part no. 2968306 16/22/22 mm in plastic.



## Assembly set

Assembly set with rubber angles, clips and holder for engine heat exchanger 2968901.

Part no. 2968300



## Heating control

Heating control for remote control of the flow between the motor and engine heat exchanger. Ø 16 mm hose connection.

Wire length: 1.0 m.

Part no. 2968310



## Circulation pump - Engine pre-heat

Is used when the central heating and engine heat exchanger are to function as an engine-pre-heater. The permanent magnetic centrifugal motor does not restrict circulation when not in use.

Part no. 2755000

### Technical data

Hose connection: Ø 16 mm.

Max. flow with 0.1 bar: 15 l/min.

Voltage: 9 - 15 V.

Power consumption: < 1,2 A.





**Convectors 60 x 60 mm, Ø 22 mm**

Convectors in Aluminium. 42 pcs/pack.  
 Part no. 1900385 Length 400 mm.  
 Part no. 1900384 Length 700 mm.  
 Part no. 1900383 Length 1000 mm.  
 Part no. 1900382 Length 1300 mm.  
 Part no. 1900381 Length 1600 mm.  
 Part no. 1900380 Length 1900 mm.

**Technical data**

Height including mounting: 60 mm.  
 Depth including mounting: 65 mm.  
 Power: 440 W/m.  
 Weight: 0,67 kg/m including liquid.  
 Pipe: Ø 22 mm.



**Convectors 60 x 60 mm, Ø 16 mm**

Convectors in Aluminium. 42 pcs/pack.  
 Part no. 1916104 Length 400 mm.  
 Part no. 1916107 Length 700 mm.  
 Part no. 1916383 Length 1000 mm.  
 Part no. 1916382 Length 1300 mm.  
 Part no. 1916116 Length 1600 mm.

**Technical data**

Height including mounting: 60 mm.  
 Depth including mounting: 65 mm.  
 Power: 420 W/m.  
 Weight: 0,54 kg/m including liquid.  
 Pipe: Ø 16 mm.



**Convector Ø 22 mm with guard**

Convector with fitted guard of structured aluminium sheet.  
 Part no. 1900407 Length 600 mm.  
 Part no. 1900405 Length 900 mm.  
 Part no. 1900408 Length 1200 mm.  
 Part no. 1900406 Length 1500 mm.

**Technical data**

Height including mounting: 85 mm.  
 Depth including mounting: 68 mm.  
 Power: 440 W/m.  
 Weight: 0,8 kg/m.  
 Pipe: Ø 22 mm.



**Thin Convectors 60 x 30 mm, Ø 16 mm**

Thin convectors in Aluminium. 84 pcs/pack.  
 Part no. 1936460 Length 250 mm.  
 Part no. 1936385 Length 400 mm.  
 Part no. 1936389 Length 600 mm.  
 Part no. 1936386 Length 900 mm.  
 Part no. 1936383 Length 1000 mm.  
 Part no. 1936480 Length 1200 mm.

**Technical data**

Height including mounting: 60 mm.  
 Depth including mounting: 35 mm.  
 Power: 240 W/m.  
 Weight: 0,39 kg/m including liquid.  
 Pipe: Ø 16 mm.



**Rubber sleeve Ø 16 > 22 mm**

Rubber sleeve Ø 16 > 22 mm. 600 pcs/pack.  
 Part no. 1900597

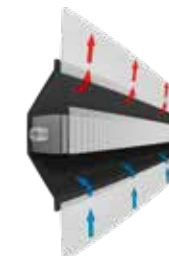


**In-built convector Ø 22 mm**

Convector in aluminium for recessing in stowage compartments, etc. For Ø 22 mm heating system.  
 Power approx. 440 watt/m.  
 Part no. 1900456 305 mm.  
 Part no. 1900457 555 mm.  
 Part no. 1900458 805 mm.

**Technical data**

	1900456	1900457	1900458
Height including frame:	205 mm	205 mm	205 mm
Length including frame:	305 mm	555 mm	805 mm
Pipe length:	336 mm	577 mm	830 mm
Depth:	65 mm	65 mm	65 mm
Weight:	0,3 kg	0,5 kg	0,75 kg
Pipe:	Ø 22 mm	Ø 22 mm	Ø 22 mm



**Seat heating convector Ø 22 mm**

U-shaped convector package for mounting in the seat base. They click in place on the underframe of the seat, in one simple operation. Available for Fiat, Peugeot, Citroën and Renault chassis.  
 Supplied with clips, rubber connection and clamps.  
 Part no. 1900959



**Technische Daten**

Height: 220 mm.  
 Breadth: 340 mm.  
 Depth: 480 mm.  
 Power: 400 W.  
 Weight: 1,0 kg.  
 Pipe: Ø 22 mm.



**Fan convector**

A compact heating package consisting of a specially manufactured, tightly packed convector with two 12 volt fans. Efficient in such places as drying cabinets.  
 Two fan speeds.  
 Part no. 1900665 Ø 22 mm  
 Part no. 1916665 Ø 16 mm



**Technical data**

Dimensions: L 250 x H 86 x B 67 mm.  
 Power: 180 W at ΔT= 50 °C.  
 Voltage: 10 - 14 V DC.  
 Power consumption: 300 mA.  
 Weight: 0,33 kg.  
 Pipe: Ø 16 and 22 mm.



**Fan package for convectors**

The fan package is mounted under a convector where extra heat and increased airflow are needed. For maximum heating power, the fan package should be mounted on a tightly packed convector. Two fan speeds.  
 Part no. 1900660



**Technical data**

Dimensions: L 175 x H 40 x B 63 mm.  
 Voltage: 10 - 14 V DC.  
 Power consumption: 300 mA.



**Switch**

Switch for heating booster and fan convector. Two output settings. Size of hole: Ø 20 mm.  
 Part no. 1900658



**Booster with fan**

A compact heating package consisting of four specially manufactured aluminium convectors. Two fan speeds.  
Part no. 1900635

**Technical data**

Dimensions: B 330×H 126×D 151.  
Power: 500 W at ΔT= 50 °C.  
Voltage: 10 - 14 V DC.  
Power consumption: 350 mA.  
Weight: 1,3 kg.  
Pipe: Ø 22 mm.

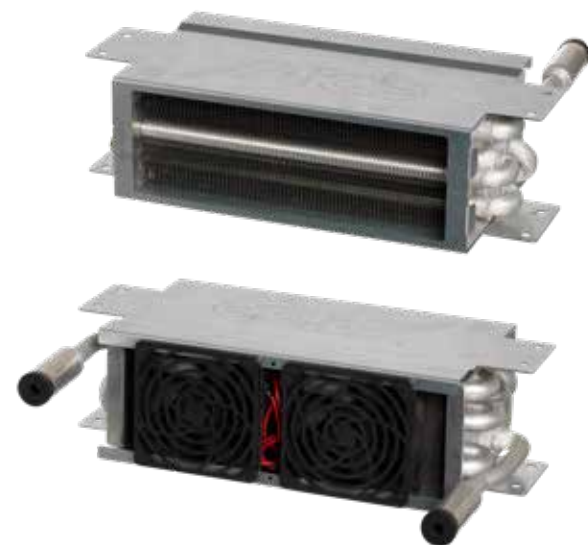


**Booster with fan**

A compact heating package consisting of a specially manufactured aluminium radiator.  
Two fans, one fan speed.  
Part no. 1900700

**Technical data**

Dimensions: B 340×H 100×D 150 mm.  
Power: 700 W at ΔT= 50 °C.  
Voltage: 10 - 14 V DC.  
Power consumption: 360 mA.  
Weight: 1,6 kg.  
Pipe: Ø 22 mm.



**Booster with fan**

A compact heating package consisting of a specially manufactured aluminium radiator. Two fan speeds.  
Part no. 1900630 Ø 22 mm  
Part no. 1916630 Ø 16 mm

**Technical data**

Dimensions: B 215×H 140×D 90 mm.  
Power: 650 W at ΔT= 50 °C.  
Voltage: 10 - 14 V DC.  
Power consumption: 350 mA.  
Weight: 0,8 kg.  
Pipe: Ø 16 and 22 mm.



**Ducted cover**

Used to guide the air flow via a hose to specific points.  
For booster 1900630 and 1916630. Hose connection: Ø 57 mm.  
Part no. 1900886



**Panel radiator**

Designed panel radiator in aluminium. Suitable for confined spaces such as toilets, wardrobes, in which it is difficult to install an ordinary convector. Includes bleeder screw on top.



For Ø 22 mm heating system

Part no. 1900686 500 mm White (RAL 9016).  
Part no. 1900687 500 mm Silver (RAL 9006).  
Part no. 1900680 700 mm White (RAL 9016).  
Part no. 1900681 700 mm Silver (RAL 9006).

**Technical data**

Height: 500 / 700 mm.  
Breadth: 220 mm.  
Power: 110 / 150 W at ΔT= 50 °C.  
Weight: 1,7 / 2,4 kg.  
Connection: Ø 22 mm.



**Accessories**

Cover with four hooks for e.g. towels.  
Part no. 1900957 White.  
Part no. 1900958 Silver.

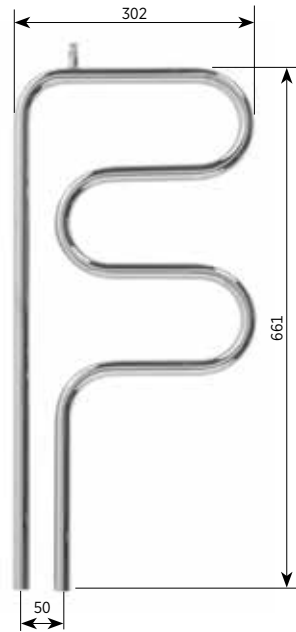


**Spare parts**

Part no. 1900691 Mounting kit White.  
Part no. 1900692 Mounting kit Silver.  
Part no. 1900594 Rubber bridge connector with bleed screw.

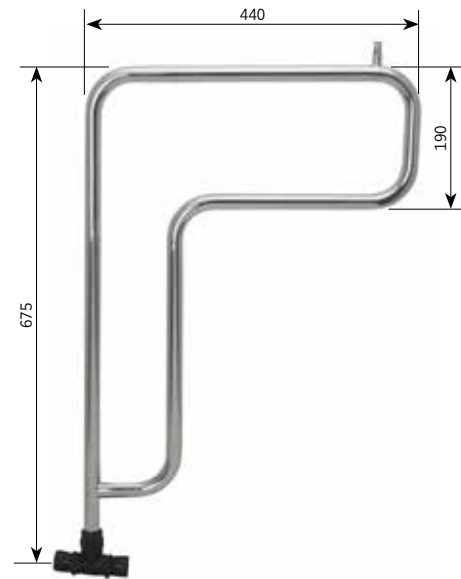
**Heated towel rail - Bravo**

Heated towel rail in chrome-plated steel tubing which is assembled directly into the normal central heating system. Bleed screw at the top of the heater. Ø 22 mm connection. Use holder 1900615 for installation. Part no. 1900618



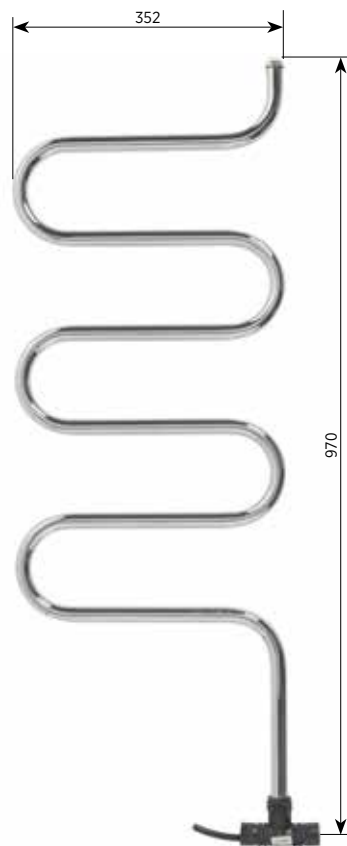
**Heated towel rail**

Heated towel rail in chrome-plated steel tubing which is assembled directly into the normal central heating system. Bleed screw at the top of the heater. Ø 22 mm connection. Use holder 1900615 for installation. Part no. 1900610



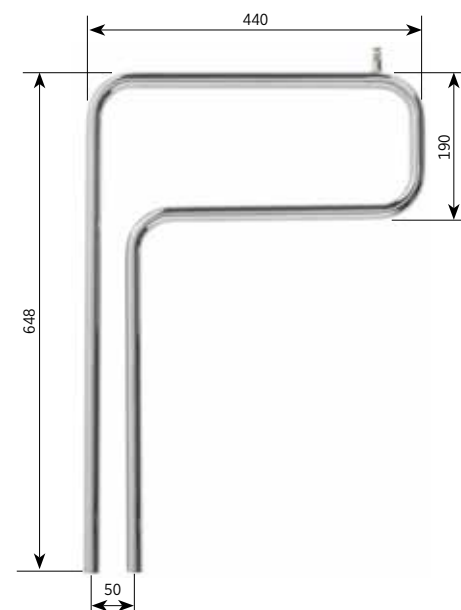
**Heated towel rail - Sierra-Zulu**

Heated towel rail in chrome-plated steel tubing which is assembled directly into the normal central heating system. Bleed screw at the top of the heater. Ø 22 mm connection. Use holder 1900615 for installation. Part no. 1900864



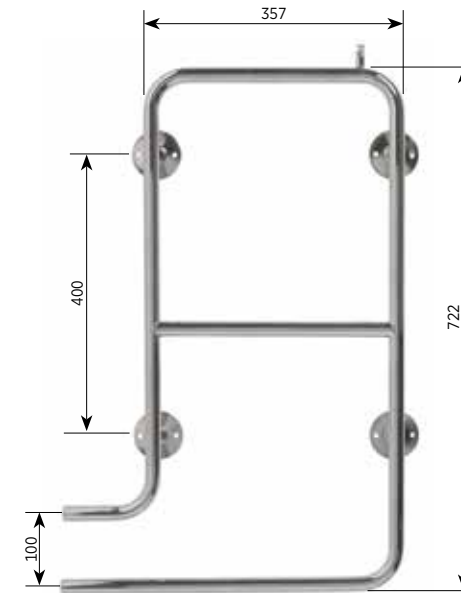
**Heated towel rail - Papa**

Heated towel rail in chrome-plated steel tubing which is assembled directly into the normal central heating system. Bleed screw at the top of the heater. Ø 22 mm connection. Use holder 1900615 for installation. Part no. 1900619



**Heated towel rail - Alpha**

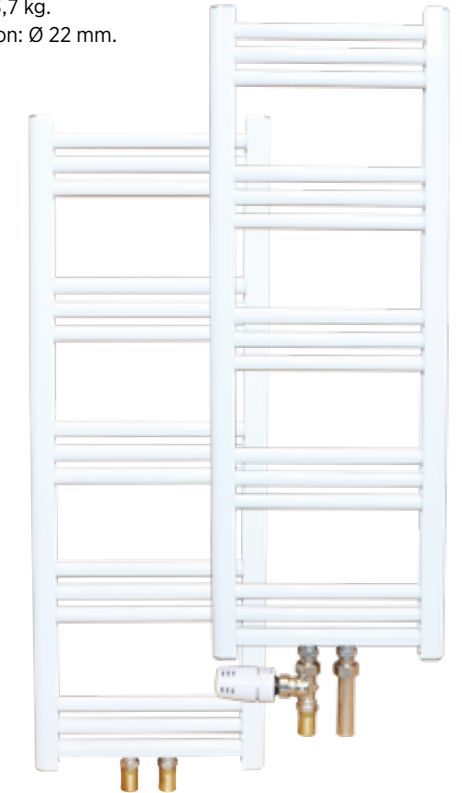
Heated towel rail in chrome-plated steel tubing which is assembled directly into the normal central heating system. Bleed screw at the top of the heater. Ø 22 mm connection. Part no. 1900869



**Towel radiator**

An exclusive Towel radiator for bathrooms and toilets. The Towel radiator is traditionally constructed for practical hanging up of towels and has a high performance heat output. It is produced in aluminum, powder lacquered in RAL 9016 and equipped with a thermostat for regulation of the temperature. Delivered with adjustable wall holders. Part no. 1900181 Without thermostat Part no. 1900182 With thermostat

**Technical data**  
Height: 840 mm.  
Breadth: 300 mm.  
Power: 250 W.  
Weight: 3,7 kg.  
Connection: Ø 22 mm.



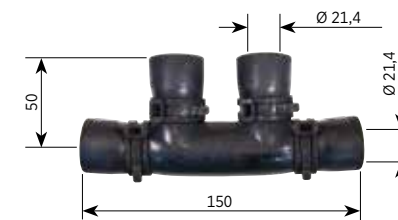
**Bracket**

Plastic bracket for heated towel rails. Chrome effect, Shock-Absorbent. Not required for 1900869. 10 pcs/pack. Part no. 1900615



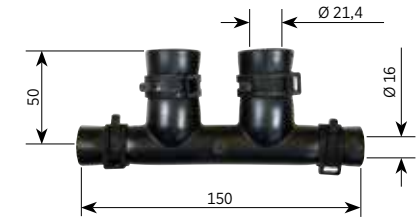
**Rubber connection Ø 22 mm**

Rubber connection for heated towel rail 1900181, 182, 618 and 619. EPDM 21,4 x 4,25 mm. Part no. 1900609 Part no. 1900837 With prefitted spring Band clips.

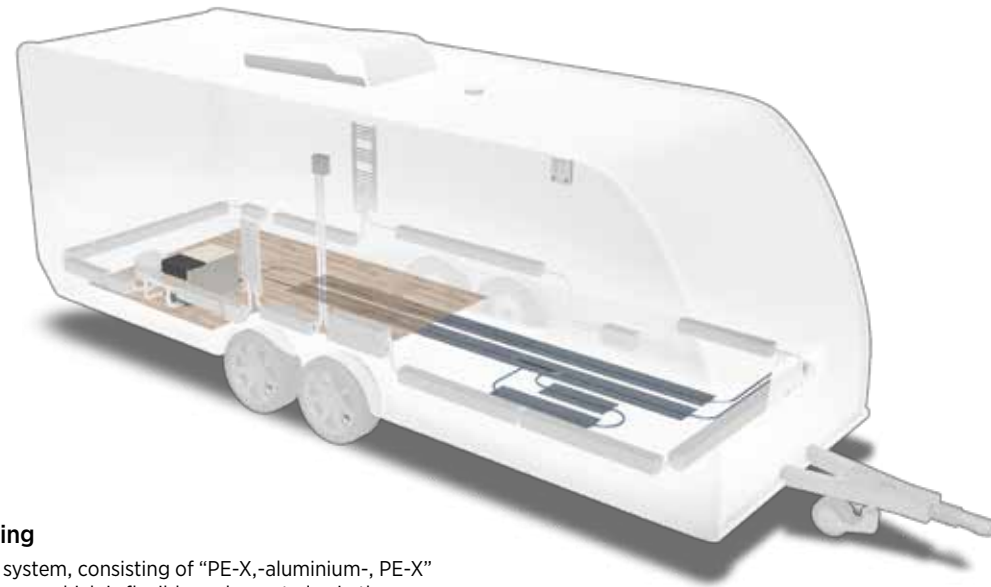


**Rubber connection Ø 16 mm**

Rubber connection for heated towel rail 1900181, 182, 618 and 619. EPDM 16 x 21,4 x 4,25 mm. Part no. 1916218 With prefitted spring Band clips.







**Underfloor heating**

Underfloor heating system, consisting of "PE-X, -aluminium-, PE-X" heat pipe, Ø 12 x 2 mm, which is flexible and easy to lay in the heating plates.

The thin aluminium heating plates, only 0.3 mm, are perforated so that glue can penetrate through resulting in better adhesion to the surface material.

Shut-off cock 1500202 is used for easy control of the flow to the underfloor heating.

There is a special shunt package available for more advanced control.



**Shunt package**

Using the shunt package the floor heating is run as a separate unit with its own thermostat and circulation pump, where the outgoing temperature of the fluid is controlled. If the floor heating is run as a separate circuit, which is also temperature controlled (fluid temp.), the flow will always be constant, the temperature of the floor surface more even and the convector circuit "undisturbed".

When the convector circuit is not affected the heat output becomes more even and the flow is always constant. Besides, the user of the vehicle can determine the floor temperature to suit their requirements, regardless of the value set on the boiler's thermostat. The boiler and convector circuit need to be converted! .

Part no. 1900250

**Technical data**

Dimensions: B 300 x H 148 x D 258 mm.

Power consumption: 0,25 - 1,9 A.

Connection: Ø 16 and Ø 22 mm.

Weight: 2,0 kg.



**Floor plate**

Floor plate of aluminium for Ø 12 pipe.

Part no. 1500300 1000 x 180 x 0,3 mm.

Part no. 1500305 1000 x 315 x 0,3 mm.



**Pipe**

Floor heating pipe Ø 12 mm. "PE-X - aluminium - PE-X". 100 m/pack.

Part no. 1500100



**Shut-off cock**

Shut-off cock for floor heating system for Ø 12 mm pipe. 50 pcs/pack.

Part no. 1500202



**Coupling**

Straight coupling for Ø 12 mm pipe to coupling 1500201. Ø 12 - 15 mm. 10 pcs/pack.

Part no. 1500200



**Coupling**

Straight coupling Ø 12 - 16 mm. 10 pcs/pack.

Part no. 1500215



**Coupling**

Straight coupling for connection of the floor heating system to the central heating system. Ø 22 - 15 mm. 10 pcs/pack.

Part no. 1500201



**Union coupling**

Straight union coupling for Ø 12 mm pipe. 10 pcs/pack.

Part no. 1500203



**Elbow coupling**

Elbow coupling for Ø 12 mm pipe. 10 pcs/pack.

Part no. 1500204



**Locking clip**

Locking clip for couplings. 100 pcs/pack.

Part no. 1500210 12 mm.

Part no. 1500211 15 mm.



**Rubber joint**

Rubber joint Ø 16 mm - Ø 12 mm. Length 100 mm. With mounted band clips.

Part no. 1916219



**Rubber joint**

Rubber joint Ø 16 mm - Ø 12 mm. Length 185 mm. With mounted band clips.

Part no. 1916221



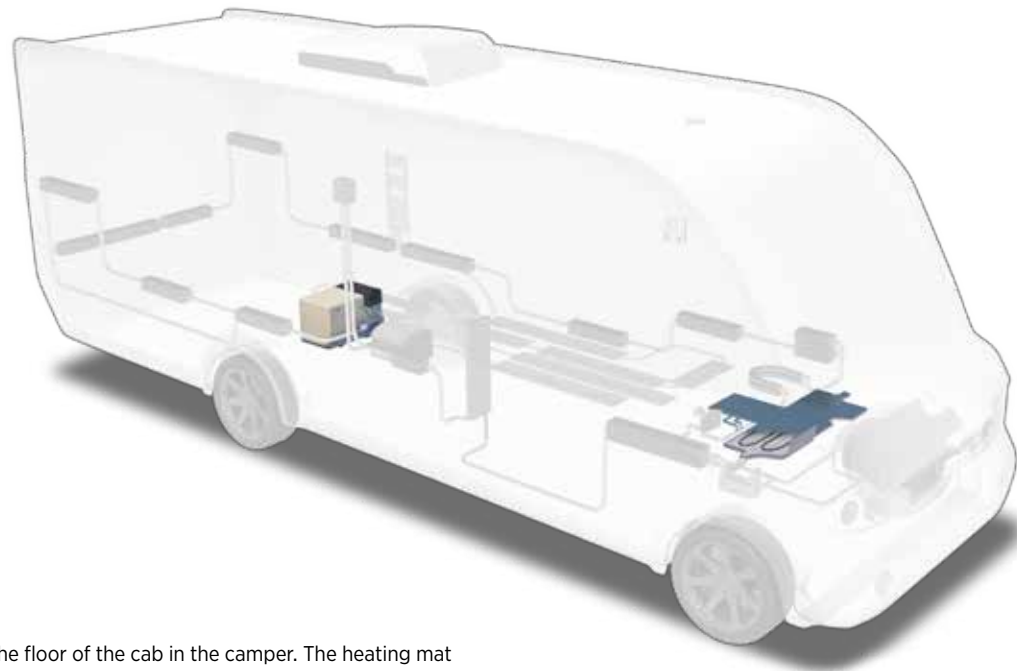
**Rubber Hose**

Rubber Hose EPDM.

Part no. 1900043 11,5 x 3,0 mm. 130 m / package.

Part no. 1900044 15,5 x 3,0 mm. 90 m / package.





**Heating mat**

Heating mat for the floor of the cab in the camper. The heating mat is made of materials from the commercial vehicle industry: heat-resistant PU foam, temperature safe to 90 °C and water repellent. Eyelets for attaching the mat. Ø 12 mm hose connections to convector system.

**Heating mat MB Sprinter -2019**

*Only available in Left-Hand Drive.*

Part no. 1500330



**Heating mat Renault Master**

*Only available in Left-Hand Drive.*

Part no. 1500331



**Heating mat MB Sprinter 2020-**

*Only available in Left-Hand Drive.*

Part no. 1500333



**Heating mat Fiat, Citroen and Peugeot**

*Only available in Left-Hand Drive.*

Part no. 1500332



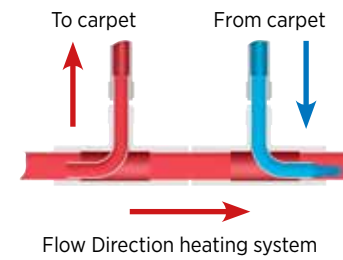
*Items may not be available in all regions*

**Connection kit**

Connection kit for heating mats with special pipes to lead the heat to the mat heating coils.

Ø 22-12 mm connection.

Part no. 1900848



**Quick connection kit**

Quick connection kit for the heating system for easy take out the carpet for cleaning or storage.

Ø 12 mm connection.

Part no. 1900849



**Quick connector**

Quick connector "female" to the heating system for easy take out the carpet for cleaning or storage. Connection 3/8 R female.

Part no. 1500380



**Quick connector**

Quick connector "male" to the heating system for easy take out the carpet for cleaning or storage. Connection 3/8 R female.

Part no. 1500381



*Items may not be available in all regions*

**Rubber hose**

Rubber hose EPDM 15,5 × 3,0 mm. 90 m/pack.

Part no. 1900044



**Clip**

Band clip for maximum strength and sealing of rubber fastenings.

Part no. 1900052 17 × 12 mm.



**Convactor retraining bracket**

Convactor retraining bracket in aluzinc for convactor (60 x 60 mm) and convactor protector.  
Part no. 1900126



**Convactor mounting bracket**

Convactor mounting bracket in aluminium for Ø 22 pipe and convectors (60 x 60 mm).  
Part no. 1900146



**Support for convectors**

Centre support for long convectors, Ø 22 mm, 60 x 60 mm.  
Part no. 1900147



**Half clamp**

Half clamp in stainless steel for Ø 22 mm pipe. 100 pcs/pack.  
Part no. 1900114



**Double clip**

Double clip with scw union for rubber connections. Ø 30 mm. 800 pcs/pack.  
Part no. 1900129



**Double clip**

Double clip for rubber connections. Ø 30 mm. 750 pcs/pack.  
Part no. 1900120



**Clip**

Band clip for maximum strength and sealing of rubber fastenings.  
Part no. 1900176 For Ø 22 mm hose (29 x 12 mm). 700 pcs/pack.  
Part no. 1900177 For Ø 19 mm hose (27 x 12 mm). 800 pcs/pack.  
Part no. 1900051 For Ø 16 mm hose (21 x 12 mm). 1200 pcs/pack.  
Part no. 1900052 For Ø 12 mm hose (17 x 12 mm). 2000 pcs/pack.



**Super Heavy Duty Pliers**

Special super heavy duty pliers with locking for band clip.  
Part no. 1900178



**Hose pinch pliers**

Pliers with lock. Used for clamping rubber hoses when mounting and dismantling products on heating systems without draining the glycol mixture.  
Part no. 1900183



**Sealing compound**

Loctite 5923 liquid elastic sealing compound. Is used on such things as joints between rubber connections and pipes. Volume 117 ml.  
Part no. 1900174



**Air bleed extension**

Air bleed extension of the venting screw. 1/8" R. Length 300 mm. Only fits 1900515, 1900545, 1900006 and 1900520.  
Part no. 1800300



**Air bleed**

Part no. 1900204 1/8" R.  
Part no. 1900277 Ø 12 mm.



**Bracket**

Bracket for Ø 22 mm rubber hose. 500 pcs/pack.  
Part no. 1900127



**Ball valve**

Ball valve tap with connections for hose.  
Part no. 1900087 Ø 22 mm  
Part no. 1916122 Ø 16 mm



**Ball valve**

Brass ball valve tap 3/4" R female.  
Part no. 1900159



**Nipple**

Nipple for Ø 22 mm hose. 3/4" R male.  
Part no. 1900104



**3-way valve**

3-way valve for bypass in the heating system. Used, for example, for heating in the motor home's garage section. 3 x 1/2" R female.  
Part no. 1900109



**Nipple**

Brass nipple for 3-way valve 1900109. Ø 22 - 1/2" R male.  
Part no. 2750303



**Nipple**

Brass nipple for 3-way valve 1900109. Ø 16 - 1/2" R male.  
Part no. 1916121



**Thermostatic bypass two zone comfort**

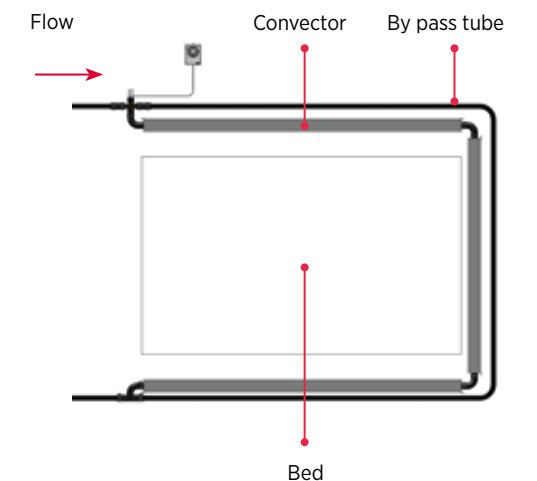
Alde's temperature control allows you to adjust the temperature in a second area, giving two different heating zones in the vehicle. A second thermostat regulates the temperature of the selected area, such as a bedroom, toilet or garage.

This is recommended for larger vehicles. Installation is normally carried out by the vehicle manufacturer, but the temperature control can also be retro-fitted.

Part no. 1900275 Ø 22 mm  
Part no. 1916275 Ø 16 mm

**Technical data**

Max storage temperature: 50 °C.  
Length of capillary tube: 2 + 2 m.  
Material: Polyamid.  
Measurement sensor: 24 mm.  
Weight: 280 g.





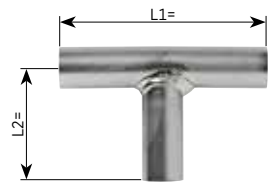
**Aluminum pipe**

Part no. 1900301 Ø 22mm. Length 5 m.  
Part no. 7833165 Ø 16mm. Length 5 m.



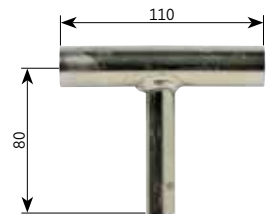
**T-pipe**

T-pipe in galvanised steel pipe. Ø 22 mm.  
Part no. 1900148 L1= 110 mm L2= 60 mm  
Part no. 1900248 L1= 72 mm L2= 42 mm



**T-Pipe**

T-pipe in galvanised steel pipe with ¼" R muff for drain cock 1900191. Ø 22 mm.  
Part no. 1900155



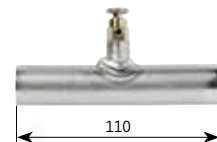
**Drain cock**

Drain cock ¼" R in brass.  
Part no. 1900191



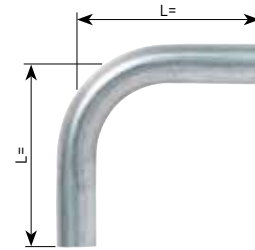
**Connector pipe with bleeder screw**

Pipe in galvanised steel pipe with bleeder screw. Ø 22 mm.  
Part no. 1900125



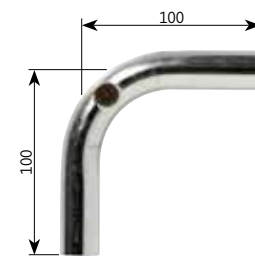
**Pipe bend**

Pipe bend 90° in aluminum. Ø 22 mm.  
Part no. 1900164 L= 100 mm.  
Part no. 1900165 L= 500 mm.



**Pipe bend**

Pipe bend 90° in galvanised steel pipe with bleeder screw. Ø 22 mm.  
Part no. 1900179



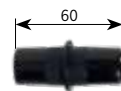
**Pipe with non-return valve**

For controlling direction of flow and preventing auto-circulation. Ø 22 mm.  
Part no. 1900 875 L= 60 mm.  
Part no. 1900 870 L= 90 mm.



**Stub**

Connector pipe in plastic for rubber joints and rubber hose. 25 pcs/pack.  
Part no. 1900119 Ø 22 mm  
Part no. 1916101 Ø 16 mm



**Rubber hose**

Rubber hose EPDM 21,4 x 4,3 mm. Per metre. 25 m/pack.  
Part no. 1900002



**Rubber hose**

Rubber hose for slide-out walls. EPDM 21,4 x 4,3 mm. Length 1 m.  
Part no. 1900213



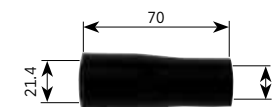
**Blanking cap**

Blanking cap. EPDM 21,4 x 4,3 mm.  
Part no. 1900030



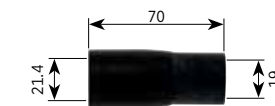
**Hose reduction**

Hose reduction. EPDM 16 > 21,4 x 4,3 mm.  
Part no. 0714871



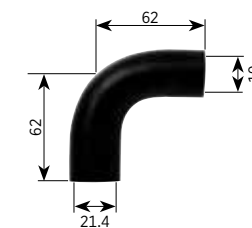
**Hose reduction**

Hose reduction. EPDM 19 > 21,4 x 4,3 mm. 25 pcs/pack.  
Part no. 1900540  
Part no. 1900541 With mounted band clips.



**Hose reduction**

Rubber elbow 90° with reduction 19 > 21,4 x 4,3 mm. EPDM. 25 pcs/pack.  
Part no. 3000509  
Part no. 1900531 With mounted band clips.



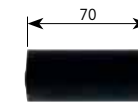
**Rubber joint**

Rubber joint EPDM 21,4 x 4,3 mm. 25 pcs/pack.  
Part no. 1900113



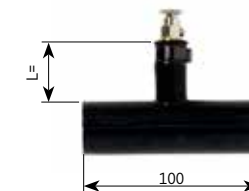
**Rubber joint**

Rubber joint EPDM 21,4 x 4,3 mm. 25 pcs/pack.  
Part no. 1900112  
Part no. 1900528 With mounted band clips.



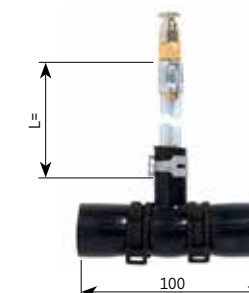
**Rubber joint**

Rubber joint with bleeder screw. EPDM 21,4 x 4,3 mm. 25 pcs/pack.  
Part no. 1900516 L= 30 mm.  
With mounted band clips.  
Part no. 1900526 L= 30 mm.  
Part no. 1900853 L= 120 mm.



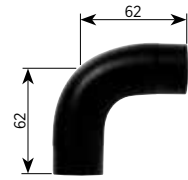
**Rubber joint**

Rubber joint with bleeder screw. EPDM 21,4 x 4,3 mm. 25 pcs/pack.  
Part no. 1900858 L= 300 mm hose length.  
Part no. 1900860 L= 600 mm hose length.  
With mounted band clips.  
Part no. 1900859 L= 300 mm hose length.  
Part no. 1900861 L= 600 mm hose length.



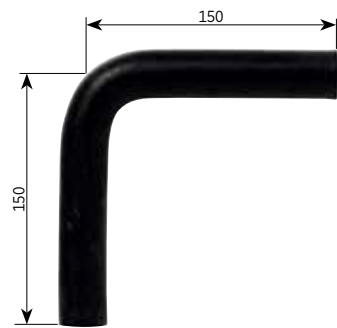
**Rubber elbow**

Rubber elbow 90°. EPDM 21,4×4,3 mm. 25 pcs/pack.  
 Part no. 1900003  
 Part no. 1900523 With mounted band clips.



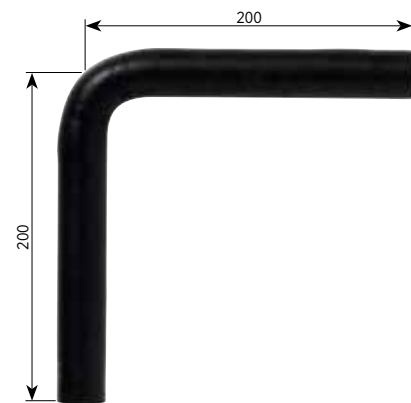
**Rubber elbow**

Rubber elbow 90°. EPDM 21,4×4,3 mm. 25 pcs/pack.  
 Part no. 1900008  
 Part no. 1900218 With mounted band clips.



**Rubber elbow**

Rubber elbow 90°. EPDM 21,4×4,3 mm. 25 pcs/pack.  
 Part no. 1900004  
 Part no. 1900529 With mounted band clips.



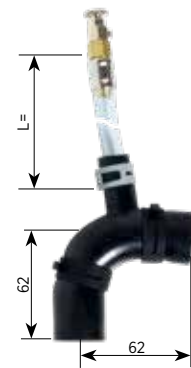
**Rubber elbow**

Rubber elbow 90° with bleeder screw. EPDM 21,4×4,3 mm. 25 pcs/pack.  
 Part no. 1900007  
 Part no. 1900527 With mounted band clips.



**Rubber elbow**

Rubber elbow 90° with hose and bleeder screw. Complete with mounted band clips. EPDM 21,4×4,3 mm. 25 pcs/pack.  
 Part no. 1900533 L= 300 mm hose length.



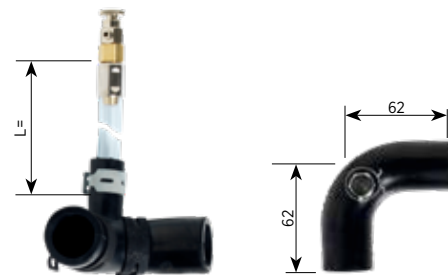
**Rubber elbow**

Rubber elbow 90° with bleeder screw. EPDM 21,4×4,3 mm. 25 pcs/pack.  
 Part no. 1900006  
 Part no. 1900520 With mounted band clips.



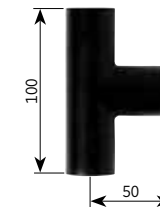
**Rubber elbow**

Rubber elbow 90° with hose and bleeder screw. Complete with mounted band clips. EPDM 21,4×4,3 mm. 25 pcs/pack.  
 Part no. 1900535 L= 300 mm hose length.



**Rubber joint**

Rubber joint, T-shaped. EPDM 21,4×4,3 mm. 25 pcs/pack.  
 Part no. 1900504  
 Part no. 1900524 With mounted band clips.



**Rubber joint**

Rubber joint, T-shaped with bleeder screw. EPDM 21,4×4,3 mm. 25 pcs/pack.  
 Part no. 1900509  
 Part no. 1900517 With mounted band clips.



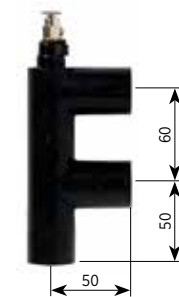
**Rubber joint**

Rubber joint, T-shaped with hose and bleeder screw. Complete with mounted band clips. EPDM 21,4×4,3 mm.  
 Part no. 1900245 L= 300 mm hose length.  
 Part no. 1900862 L= 600 mm hose length.



**Rubber joint**

Rubber joint, F-shaped with bleeder screw. EPDM 21,4×4,3 mm. 25 pcs/pack.  
 Part no. 1900571  
 Part no. 1900557 With mounted band clips.



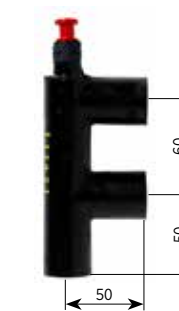
**Rubber joint**

Rubber joint, F-shaped with hose and bleeder screw. Complete with mounted band clips. EPDM 21,4×4,3 mm.  
 Part no. 1900247 L= 300 mm hose length.  
 Part no. 1900965 L= 600 mm hose length.



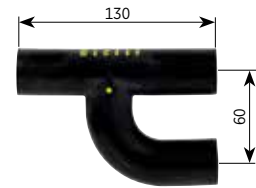
**Rubber joint**

Rubber joint, F-shaped. EPDM 21,4×4,3 mm. 25 pcs/pack.  
 Part no. 1900532  
 Part no. 1900573 With mounted band clips.



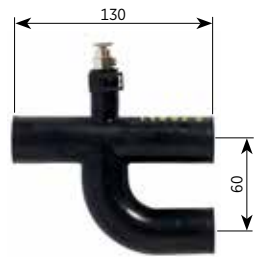
**Rubber joint**

Rubber joint, Y-shaped. EPDM 21,4×4,3 mm. 25 pcs/pack.  
 Part no. 1900502  
 Part no. 1900522 With mounted band clips.



**Rubber joint**

Rubber joint, Y-shaped with bleeder screw. EPDM 21,4×4,3 mm. 25 pcs/pack.  
 Part no. 1900511  
 Part no. 1900521 With mounted band clips.



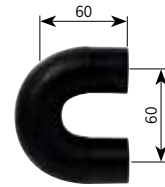
**Rubber joint**

Rubber joint, Y-shaped with hose and bleeder screw. Complete with mounted band clips. EPDM 21,4×4,3 mm. 25 pcs/pack.  
 Part no. 1900961 L= 300 mm hose length.  
 Part no. 1900964 L= 600 mm hose length.



**Rubber joint**

Rubber joint, U-shaped. EPDM 21,4×4,3 mm. 25 pcs/pack.  
 Part no. 1900505  
 Part no. 1900525 With mounted band clips.



**Rubber joint**

Rubber joint, U-shaped with bleeder screw. EPDM 21,4×4,3 mm. 25 pcs/pack.  
 Part no. 1900515  
 Part no. 1900545 With mounted band clips.



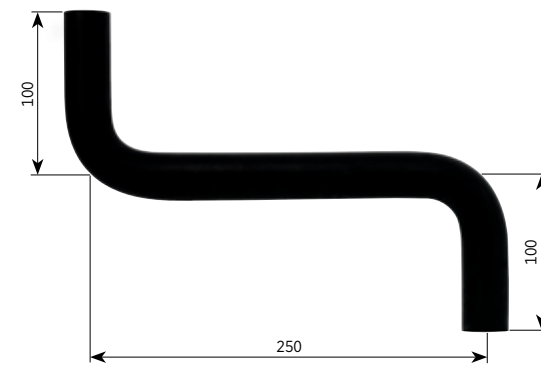
**Rubber joint**

Rubber joint, U-shaped with hose and bleeder screw. EPDM 21,4×4,3 mm.  
 Part no. 1900246 L= 300 mm hose length.  
 Part no. 1900259 L= 300 mm hose length. With mounted band clips.



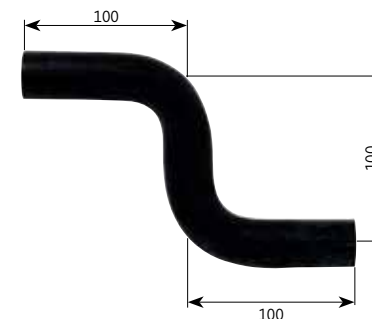
**Rubber joint**

Rubber joint, S-shaped. EPDM 21,4×4,3 mm. 25 pcs/pack.  
 Part no. 1900110  
 Part no. 1900519 With mounted band clips.



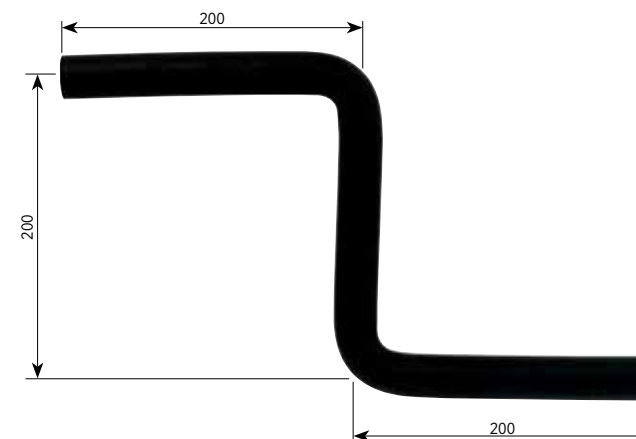
**Rubber joint**

Rubber joint, S-shaped. EPDM 21,4×4,3 mm. 25 pcs/pack.  
 Part no. 1900111  
 Part no. 1900530 With mounted band clips.



**Rubber joint**

Rubber joint, S-shaped. EPDM 21,4×4,3 mm. 25 pcs/pack.  
 Part no. 1900580  
 Part no. 1900577 With mounted band clips.



**Rubber drain**

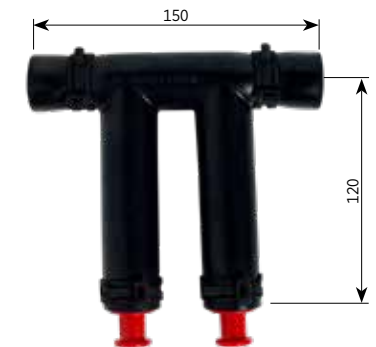
Rubber joint, T-shaped for drain. EPDM 21,4×4,3 mm.  
 Part no. 1900512 Rubber connector. 25 pcs/pack.  
 Part no. 1900258 Band clip.  
 Part no. 3020171 Plug.

Complete with band clips and plug. 25 pcs/pack.  
 Part no. 1900 518



**Bottom Fill and Drain Point**

Rubber connector with dual fill/drain hoses, for use in bottom-filled systems. Pre-mounted with spring clips and plugs. EPDM 21,4×4,3 mm.  
 Part no. 1900876





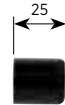
**Rubber hose**

Rubber hose EPDM 15,5 × 3,0 mm. 90 m/pack.  
Part no. 1900044



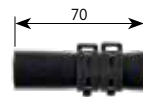
**Blanking cap**

Blanking cap. EPDM 15,5 × 3,0 mm.  
Part no. 1916002



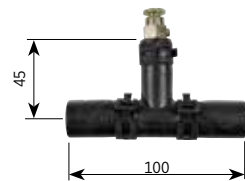
**Rubber joint**

Rubber joint EPDM 15,5 × 3,0 mm.  
With mounted band clips. 25 pcs/pack.  
Part no. 1916021



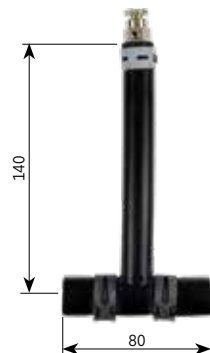
**Rubber joint**

Rubber joint with bleeder screw. EPDM 15,5 × 3,0 mm.  
With mounted band clips. 25 pcs/pack.  
Part no. 1916216



**Rubber joint**

Rubber joint with bleeder screw. EPDM 15,5 × 3,0 mm.  
With mounted band clips. 25 pcs/pack.  
Part no. 1916030



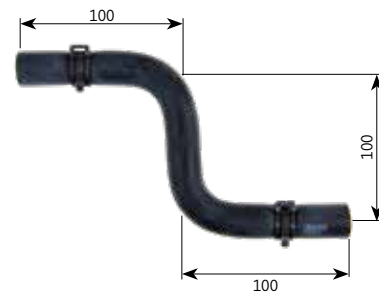
**Rubber joint**

Rubber joint, T-shaped. EPDM 15,5 × 3,0 mm.  
With mounted band clips. 25 pcs/pack.  
Part no. 1916027



**Rubber joint**

Rubber joint, S-shaped. EPDM 15,5 × 3,0 mm.  
With mounted band clips. 25 pcs/pack.  
Part no. 1916026



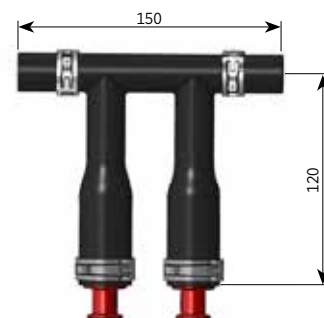
**Rubber drain**

Rubber joint, T-shaped for drain. EPDM 15,5 × 3,0 mm.  
With mounted band clips. 25 pcs/pack.  
Part no. 1916028



**Bottom Fill and Drain Point**

Rubber connector with dual fill/drain hoses, for use in bottom-filled systems. Pre-mounted with spring clips and plugs. EPDM 15,5 × 3,0 mm. 25 pcs/pack.  
Part no. 1916231



**Rubber joint**

Rubber joint, Y-shaped. EPDM 15,5 × 3,0 mm.  
With mounted band clips. 25 pcs/pack.  
Part no. 1916212



**Rubber joint**

Rubber joint, Y-shaped with bleeder screw. EPDM 15,5 × 3,0 mm.  
With mounted band clips. 25 pcs/pack.  
Part no. 1916214



**Rubber joint**

Rubber joint, U-shaped. EPDM 15,5 × 3,0 mm.  
With mounted band clips. 25 pcs/pack.  
Part no. 1916211



**Rubber joint**

Rubber joint, U-shaped with bleeder screw. EPDM 15,5 × 3,0 mm.  
With mounted band clips. 25 pcs/pack.  
Part no. 1916213



**Rubber joint**

Rubber joint, F-shaped. EPDM 15,5 × 3,0 mm.  
With mounted band clips. 25 pcs/pack.  
Part no. 1916029



**Rubber joint**

Rubber joint, F-shaped with bleeder screw. EPDM 15,5 × 3,0 mm.  
With mounted band clips. 25 pcs/pack.  
Part no. 1916210



**Rubber joint**

Rubber joint, F-shaped with hose and bleeder screw. EPDM 15,5 × 3,0 mm. Complete with mounted band clips. 25 pcs/pack.  
Part no. 1916247 L= 300 mm hose length.  
Part no. 1916965 L= 600 mm hose length.



**Rubber elbow**

Rubber elbow 90°. EPDM 15,5×3,0 mm.  
With mounted band clips. 25 pcs/pack.  
Part no. 1916023



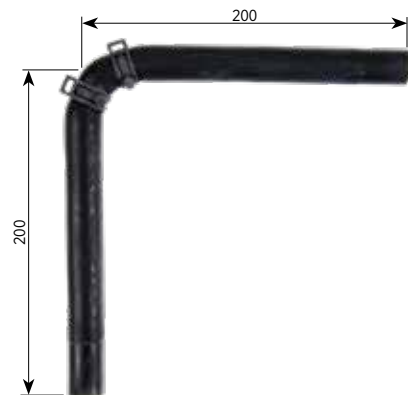
**Rubber elbow**

Rubber elbow 90°. EPDM 15,5×3,0 mm.  
With mounted band clips. 25 pcs/pack.  
Part no. 1916025



**Rubber elbow**

Rubber elbow 90°. EPDM 15,5×3,0 mm.  
With mounted band clips. 25 pcs/pack.  
Part no. 1916215



**Rubber elbow**

Rubber elbow 90° with bleeder screw. EPDM 15,5×3,0 mm.  
With mounted band clips. 25 pcs/pack.  
Part no. 1916024



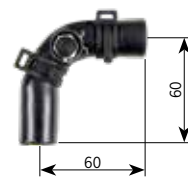
**Rubber elbow**

Rubber elbow 90° with hose and bleeder screw.  
EPDM 15,5×3,0 mm.  
With mounted band clips. 25 pcs/pack.  
Part no. 1916245 L= 300 mm hose length.  
Part no. 1916862 L= 600 mm hose length.



**Rubber elbow**

Rubber elbow 90° with bleeder screw. EPDM 15,5×3,0 mm.  
With mounted band clips. 25 pcs/pack.  
Part no. 1916220



**Alde Premium G13 Antifreeze**

Premixed and ready to use ethylene glycol antifreeze, specially formulated for Alde heating systems and containing silicated OAT. VAG G13 Spec. Protects to -37°C, with 5 year corrosion protection. Only available in boxed quantities.  
Part no. 4070120 1 lt. 12 pcs/pack.  
Part no. 4070121 4 lt. 2 pcs/pack.  
Part no. 4070123 25 lt..  
Part no. 4070122 200 lt.



**Bottom-fill Service Pump**

The Alde Bottom-fill Service Pump is an unbeatable piece of equipment when it comes to filling an Alde heating system. The portable unit allows the operator to quickly fill and bleed even the largest heating system in a matter of minutes. An important tool for service centres and dealers who work with Alde heating systems, as it also makes quick and easy work of changing the glycol fluid. Only for use with bottom-fill heating systems.  
Part no. 3020811



**Alde Service Pump**

The Alde service pump is an unbeatable aid for filling Alde heating systems. The unit allows the operator to quickly fill and remove air from even the largest heating system in minutes. It is an essential tool for service centres and dealers working with Alde systems, as it also allows for quick and easy replacement of the glycol fluid. Not for use with bottom-filled systems.  
Part no. 1900811 Service pump 5 m reach.  
Part no. 1900839 Service pump 8 m reach.

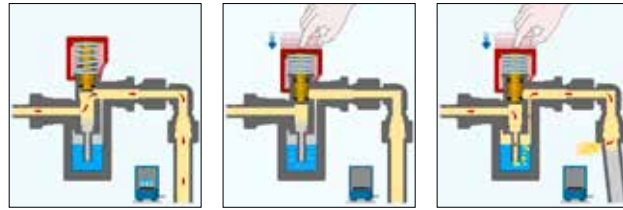


## Leak detectors for LPG systems

### Leak detectors for LPG systems

A simple and important safety detail that should be installed in all LPG systems. With the leakage tester from Alde tightness is controlled by the red cap is pressed. The leakage test device offers many advantages.

Including glycol fluid and screws.  
Size: H 95 x D 30 mm. Weight 0,2 kg.



Part no. 4071807 Ø 8 mm pipe connection IN  
Ø 10 mm pipe connection OUT

Part no. 4071808 Ø 10 mm pipe connection IN  
Ø 10 mm pipe connection OUT



### Spare parts for leak detector

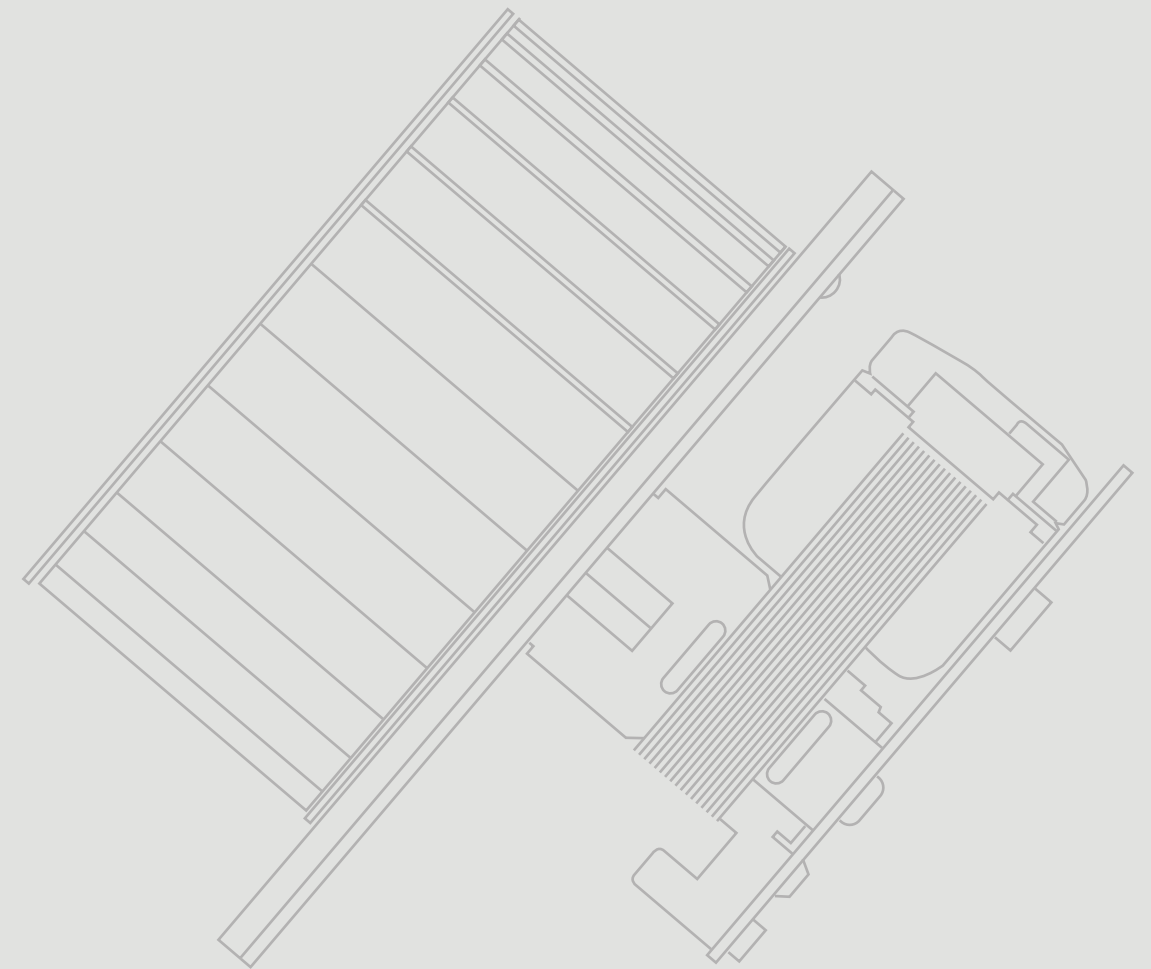
Part no. 4070125 Glycol fluid.

Part no. 4071013 Sight glass and glycol fluid.

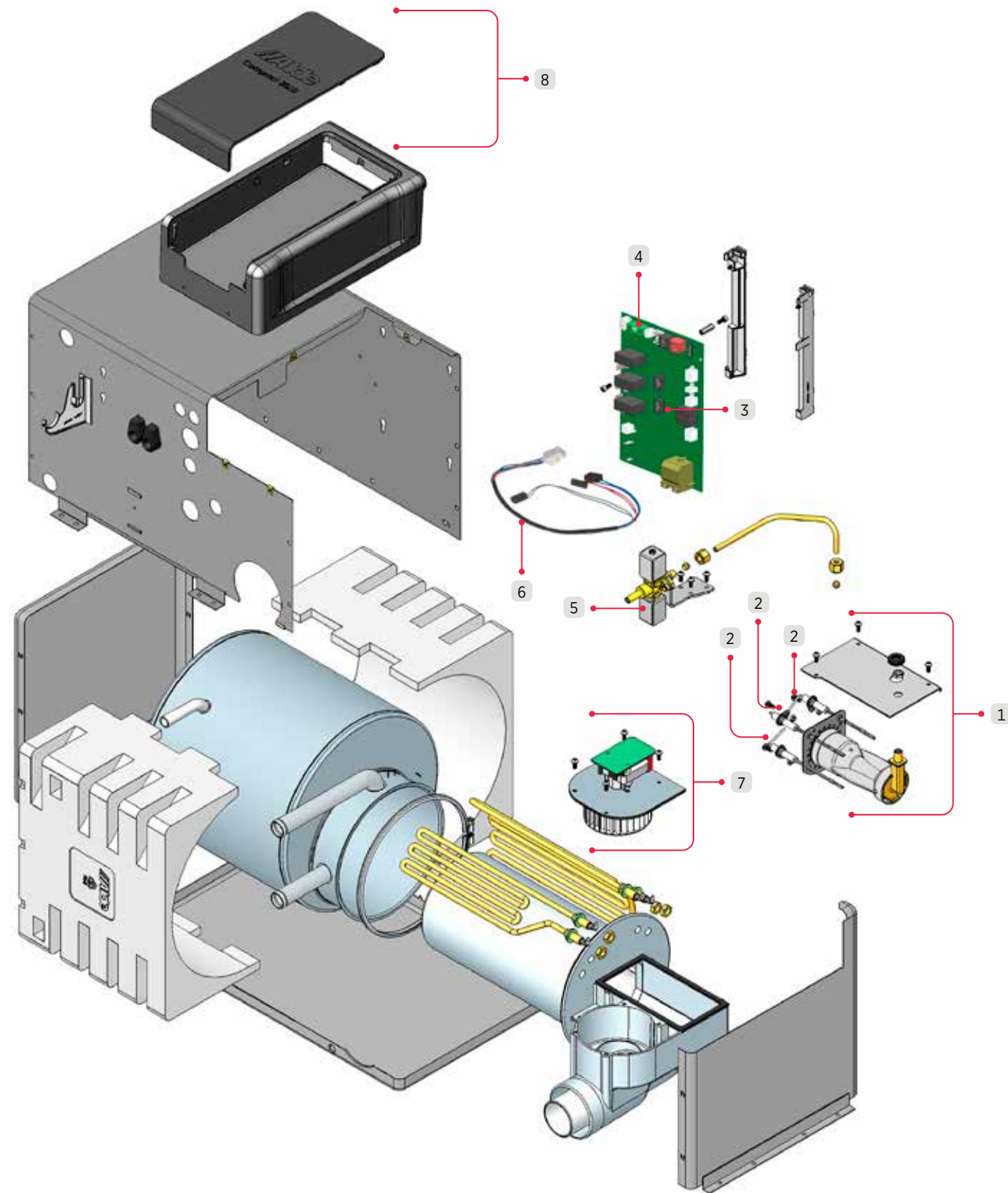


## Spare parts

## Alde Compact 3020







**Boiler rebuild**

Replacing a frost, corrosion or accident damaged boiler requires a new boiler body (includes internal heat exchanger). Supplied without internal working parts, connections or fittings. Only available via Alde Service Care. Not for retail. Part no. 30209099



**Burner**

Burner, complete with spark plug and sensor. Also fits the Compact 3010. Part no. 3010301



**Ignition set**

Ignition set consisting of two spark plugs and sensor. Also fits the Compact 3010. Part no. 3010306



**Circuit board**

Circuit board with ignition transformer. Part no. 3020140.



**Fuse**

Fuse 3.15 A for Circuit board. Also fits the Compact 3010. Part no. 3010339



**Solenoid valve**

Solenoid valve complete. Also fits the Compact 3010. Part no. 3010304



**Sensors**

Sensors for thermostat, overheating protection and domestic hot water. Part no. 3020039



**Combustion fan**

Combustion fan, 9 volts. Also fits the Compact 3010 and Compact 3000 with roof-mounted flue.. Part no. 3000452



**Service hatch**

Service hatch with cover for the Compact 3020. Part no. 3020042



### Front cover

Front cover for Control panel.  
Part no. 3010616 Silver.  
Part no. 3010618 Black.



### Interference filter

EMI filter for discrete room sensors where cable is routed alongside 230 V cables. Fitted onto two paired pins in the control panel.  
Part no. 3020142



### Boiler emergency starter

Is used to force boiler start-up without using the control panel. Adapter cable 3020035 is connected to the printed circuit board and emergency starter 3010218 is connected to the adapter cable.  
Part no. 3010218 Emergency starter.  
Part no. 3020035 Adapter cable.



### Wall flue cap

Cap in different colors for wall flue 3010 170.  
120 pcs/pack.  
Part no. 3010171 White.  
Part no. 3010374 Light grey.  
Part no. 3010373 Medium grey.  
Part no. 3010371 Dark grey.  
Part no. 3010372 Black.



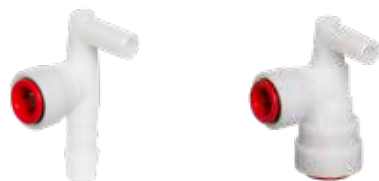
### Domestic cold water connection

Angle 90° for cold water.  
Part no. 3010475 Ø 10 mm hose connection.  
Part no. 3010 496 Ø 12 mm connection John Guest.



### Domestic hot water connection

Angle with built-in non-return valve which allows air in when the heater is drained. For hot water. Incl. 0.5 m hose for air in.  
Part no. 3010471 Ø 10 mm hose connection.  
Part no. 3010571 Ø 12 mm connection John Guest.



### Circulation pump

Circulation pump 12 V for mounting on the Compact 3020th. Knob on pump motor for setting five different pumping speeds 6-15 l / min.  
Power consumption 12 volts: 00:25 - 1.9 A.  
Ø 22 mm connection.  
Part no. 3010507



### Inline circulation pump

Circulation pump 12 V for Compact 3010 and Compact 3020. Five speed with adjustable dial on motor.  
Power consumption 12 Volt: 0.25 - 1.6 A.  
Ø 22 mm connection.  
Part no. 3020049



### Inline circulation pump - Remote controlled

Circulation pump for mounting on Compact 3020. Connected to control panel to allow remote control of pump speed by PWM. Five speeds.  
Power consumption 12 V: 0.25 - 1.6 A.  
Ø 22 mm connection.  
Part no. 3020031



### Circulation pump

Circulation pump 12 V for installation in the expansion tank 3000 420 and 3000 495. Plug.  
Power consumption 0.2 A.  
Part no. 2928420

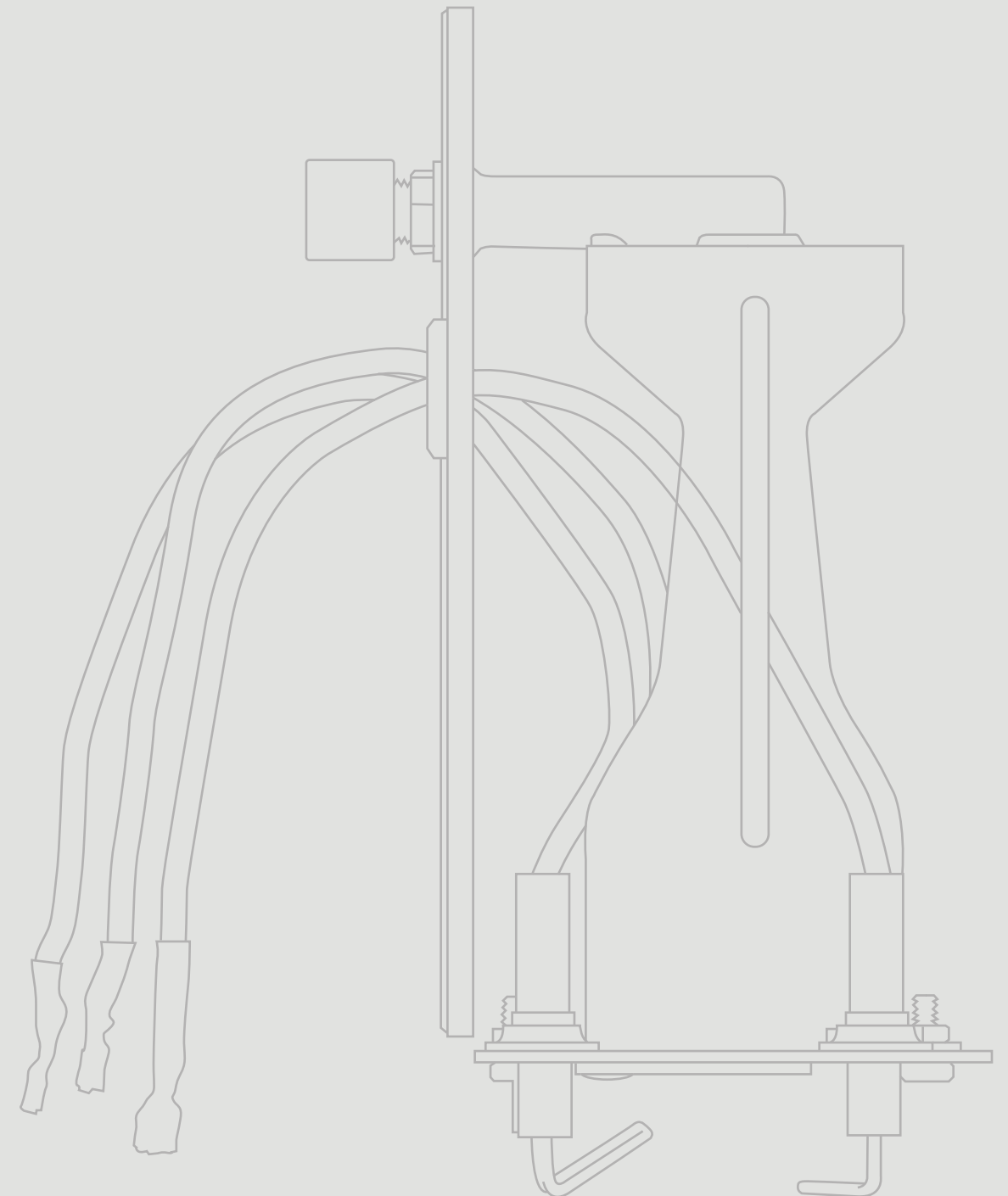


### Automatic air bleed valve

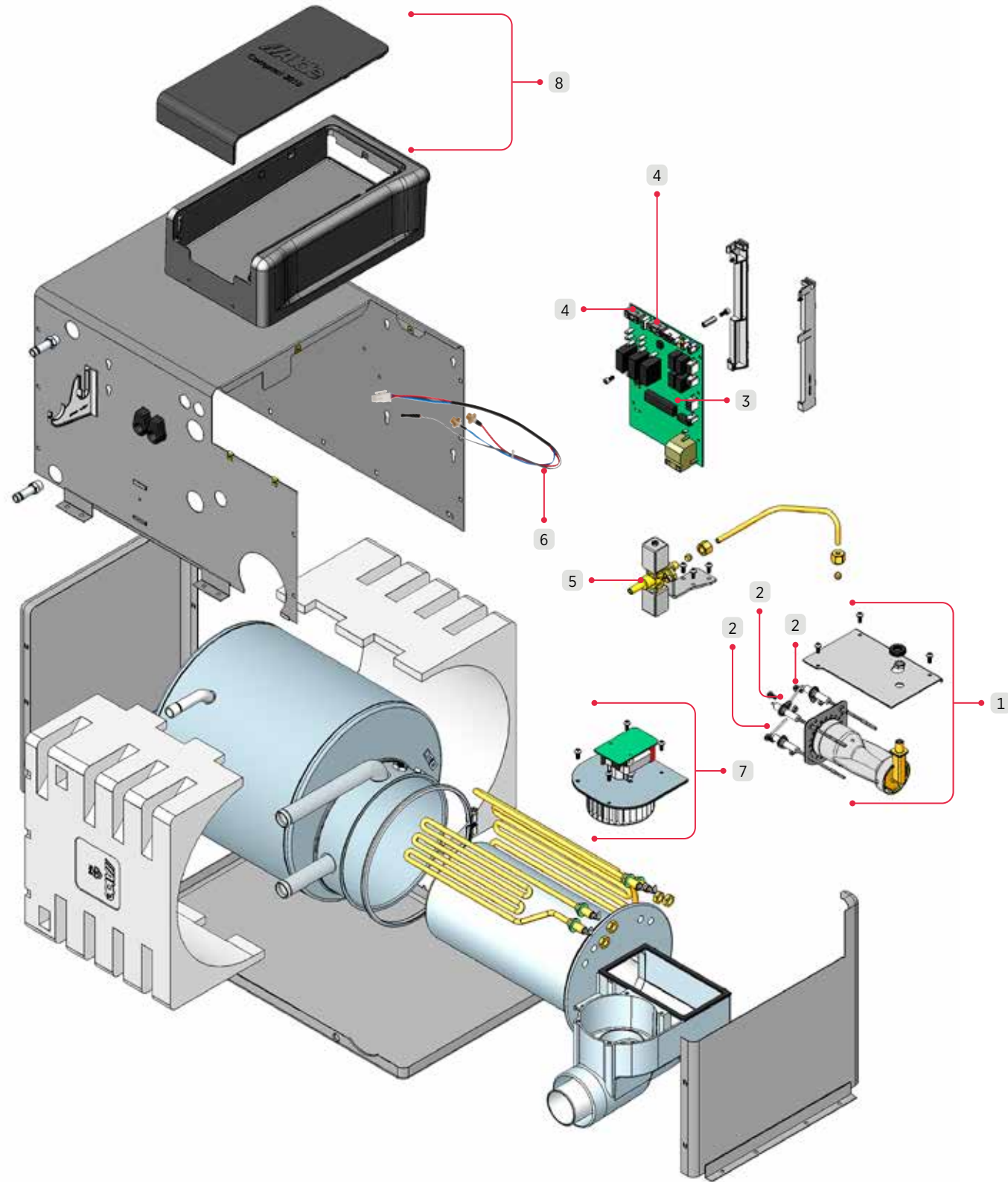
Automatic air bleed valve with hose.  
Part no. 1900542



## Spare parts Alde Compact 3010







**Boiler rebuild**

Replacing a frost, corrosion or accident damaged boiler requires a new boiler body (includes internal heat exchanger). Supplied without internal working parts, connections or fittings. Only available via Alde Service Care. Not for retail. Part no. 30109054



**Burner**

Burner complete, including spark plug and sensor. Also fits the Compact 3020. Part no. 3010301



**Ignition set**

Ignition set consisting of two spark plugs and sensor. Also fits the Compact 3020. Part no. 3010306



**Circuit board**

Circuit board with ignition transformer. Part no. 3010302 for boiler with 2 kW electric element. Part no. 3010303 for boiler with 3 kW electric element.



**Fuse**

Fuse 3.15 A for Circuit board. Also fits the Compact 3020. Part no. 3010339



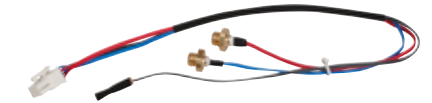
**Solenoid valve**

Solenoid valve complete. Also fits the Compact 3020. Part no. 3010304



**Sensors**

Sensors for thermostat, overheating protection and domestic hot water. Part no. 3010305



**Combustion fan**

Fan complete 9 V for all models of Compact 3010. Also fits the Compact 3020 and Compact 3000 with roof chimney. Part no. 3000452



**Service hatch**

Service hatch for Compact 3010. Part no. 3010168



**Emergency over-ride**

Is used to override-start the boiler without using the control panel. Part no. 3010218





**Cable for programmable control panels**

Connection cable between boiler and control panels 3010213 / 413 / 613.

Part no. 3010215 Length 2,5 m.  
Part no. 3010216 Length 5,0 m.  
Part no. 3010217 Length 8,5 m.

**Cable for manual control panel**

Connection cable between boiler and adaptor lead 3010281.

Part no. 3010267 Length 2,5 m.  
Part no. 3010277 Length 5,0 m.  
Part no. 3010278 Length 8,5 m.

**Adaptor lead for manual control panel**

Lead to connect control panel 3010214 to cable 3010267 / 277 / 278. Includes connection for discrete temperature sensor cable.

Part no. 3010281

**Adaptor lead for control panel upgrade**

Lead to connect control panels 3010213 and 613 to cable 3010267 / 277 / 278. For upgrading from control panel 3010214.

Part no. 3010279

**Zonal heating sensors**

Can be used either with two Discrete sensors or with a Discrete sensor and with the control panel's room sensor. Assembly set with 1 sensor, switch, 12 m cable, junction card and a cable to the switch. For control panel 3010213 / 413 / 613.

Part no. 3010435

**Cable for LPG interface**

For connecting control panels 3010413 / 613 to comms device 50020-00586 and EisEx defroster 3010428. Length 10 m.

Part no. 3010419

**Control panel - Colour Touch**

The control panel is compatible with all Alde's Compact 3010 boilers.

Part no. 3010613

**Fascia**

Fascia for Control panel 3010613.

Part no. 3010616

**Assembly frame**

Used when changing from control panel 3010213 to 3010613 in order to cover the existing aperture. Size: 125 x 100 mm.

Part no. 3010517

**Automatic air bleed valve**

Automatic air bleed valve with hose.

Part no. 1900542

**Wall flue cap**

Cap in different colors for wall flue 3010170. 120 pcs/pack.

Part no. 3010171 White.  
Part no. 3010374 Light grey.  
Part no. 3010373 Medium grey.  
Part no. 3010371 Dark grey.  
Part no. 3010372 Black.

**Inline circulation pump**

Circulation pump for mounting on Compact 3010. Five speed with adjustable dial on motor. Five speed 6-15 L/min. Power consumption 12 V: 0.25 - 1.9 A. Ø 22 mm connection.

Part no. 3010508

**Inline circulation pump - Remote controlled**

Circulation pump for mounting on Compact 3010. Connected to control panel to allow remote control of pump speed by PWM. Five speed 6-15 L/min. Power consumption 12 V: 0.25 - 1.9 A. Ø 22 mm connection.

Part no. 3010514 Circulation pump.  
Part no. 3010515 Cable. L= 13 m.  
Part no. 3010516 Cable. L= 8.5 m.

**Circulation pump**

Circulation pump 12 V for installation in the expansion tank 3000 420 and 3000 495. With screw plinth. Power consumption 12 V: 0,2 A.

Part no. 2928433

**Lead for 12 V inline circulation pump**

Lead to connect boiler and 12 V inline circulation pump. Plugs into both JP12 and JP10 socket on PCB.

Part no. 3010237

**Circuit board**

Circuit board for 230 V circulation pump with 12 V control.

Part no. 2750403

**Domestic cold water connection**

Angle 90° for cold water. Fits Compact 3010 up to series no. 91458.

Part no. 3000470 Ø 10 mm hose connection.  
Part no. 3000570 Ø 12 mm connection John Guest.

**Domestic hot water connection**

Angle with built-in non-return valve which allows air in when the heater is drained. For hot water.

Fits Compact 3010 up to series no. 91458.

Part no. 3000471 Ø 10 mm hose connection.  
Part no. 3000571 Ø 12 mm connection John Guest.

**Domestic cold water connection**

Angle 90° for cold water. Fits Compact 3010 from series no. 91459.

Part no. 3010475 Ø 10 mm hose connection.  
Part no. 3010496 Ø 12 mm connection John Guest.

**Domestic hot water connection**

Angle with built-in non-return valve which allows air in when the heater is drained. For hot water. Incl. 0.5 m hose for air in.

Fits Compact 3010 from series no. 91459.

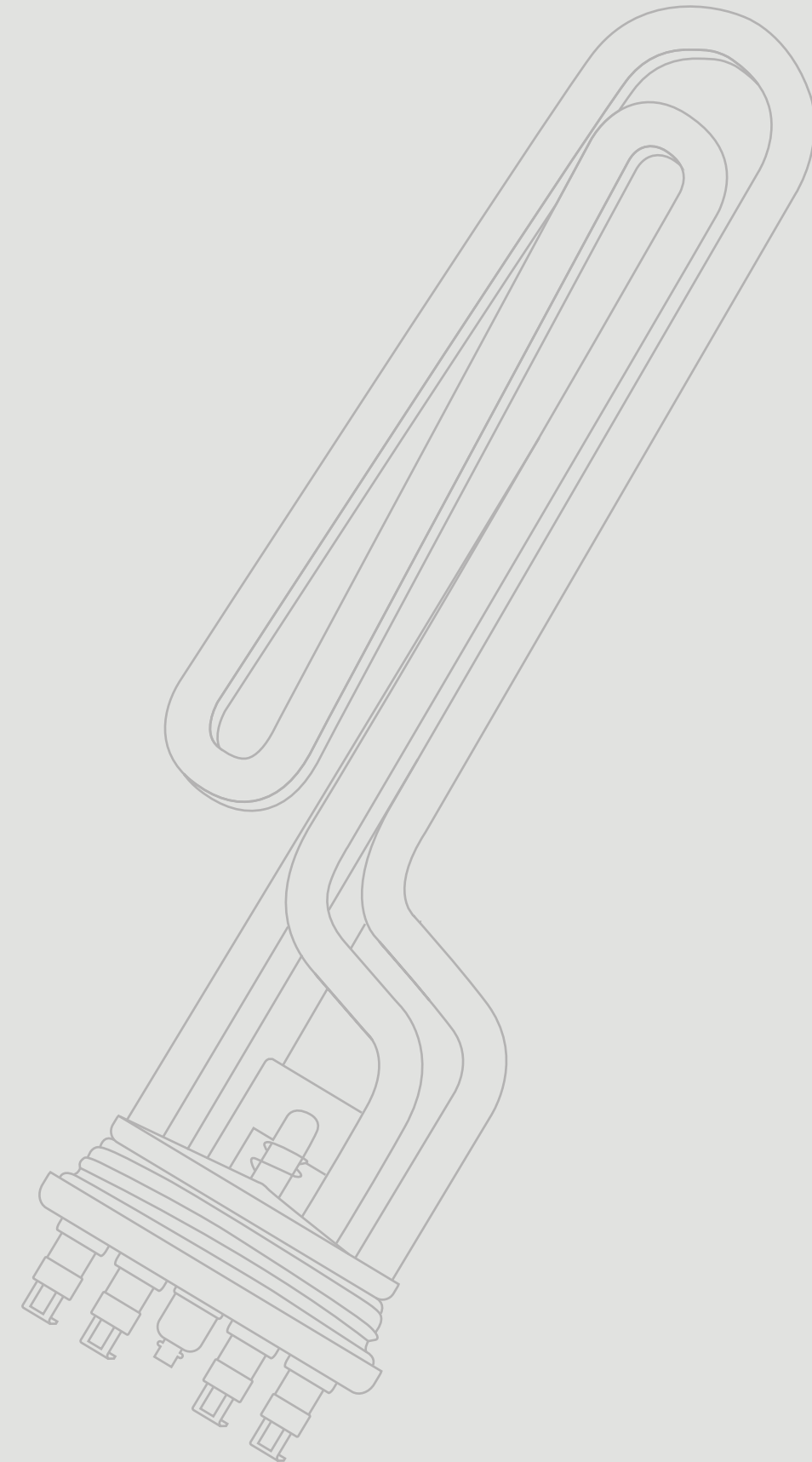
Part no. 3010471 Ø 10 mm hose connection.  
Part no. 3010571 Ø 12 mm connection John Guest.

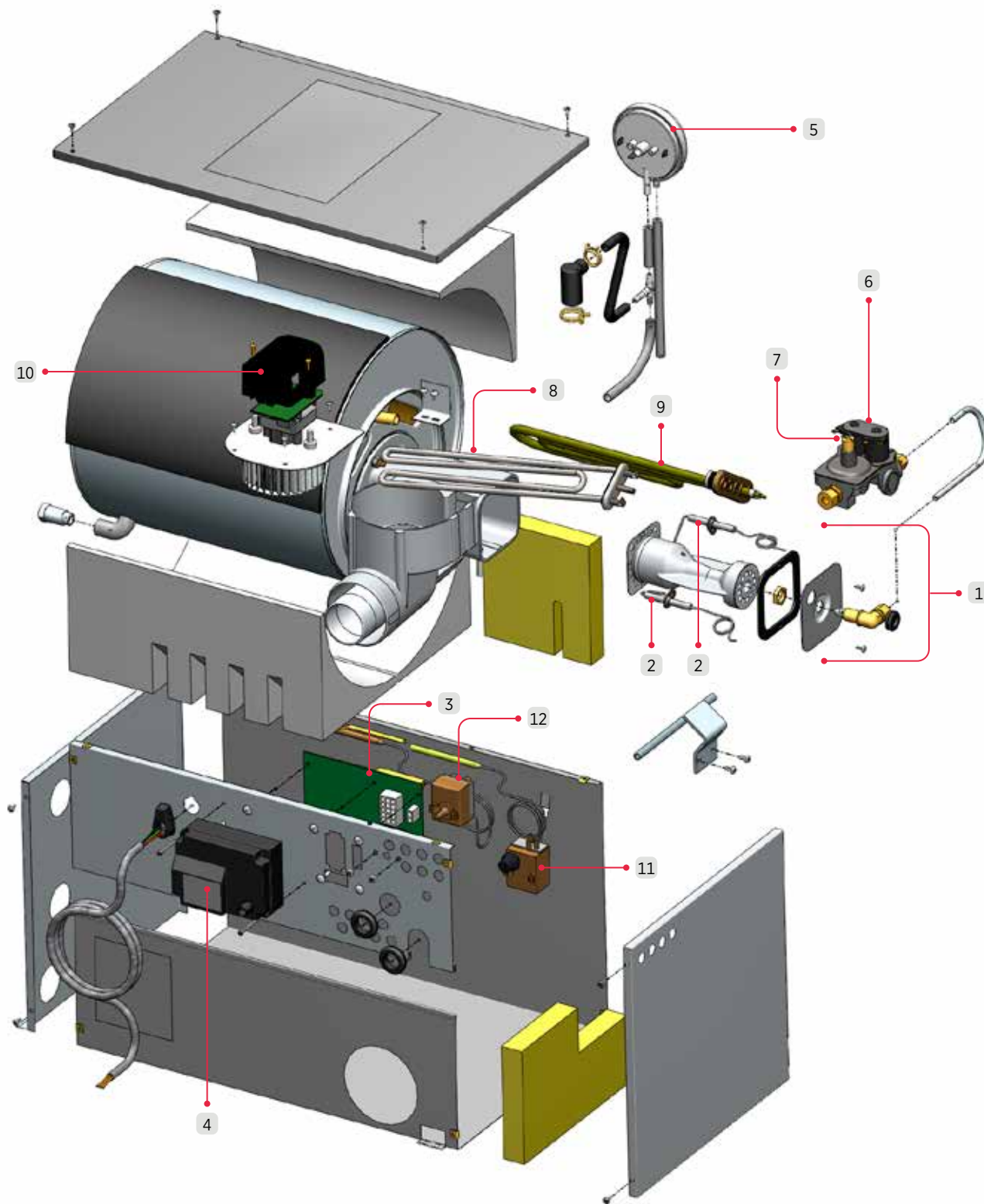


## Spare parts

---

### Alde Compact 3000





**Burner**

Burner complete including throttle plate. (Replaces previous models 3000385, 3000408 and 3000444).  
Part no. 3000516



**Ignition set**

The ignition set consisting of the spark plug, flame sensor and gaskets.  
Part no. 3000407



**PCB**

PCB for boiler Compact 3000.  
Part no. 3000334 for boiler with 2 kW electric element.  
Part no. 3000333 for boiler with 3 kW electric element.



**Ignition module.**

Part no. 3000157



**Pressure switch**

Part no. 3000127



**Solenoid valve**

Part no. 3000289



1

**Soft-start valve**

Soft-start for the solenoid valve 3000289.  
Part no. 3000168



7

**Element 230 V**

Elements of 1 kW (1050 W) power.  
Part no. 3000256



8

**Element 230 V**

Elements of 2 kW (1050+1050 W) power.  
Part no. 3000250



9

**Combustion fan**

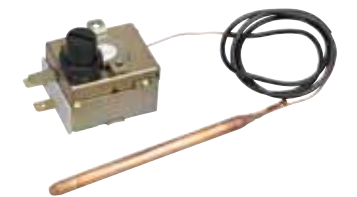
Combustion fan. 9 volt model 300092xx - 93xx (roof mounted chimney). Also fits 3010 Compact and Compact 3020th.  
Part no. 3000452



10

**Overheating protection**

Part no. 3000362



11

**Operating stat**

Part no. 3000365



12







**Alde International (UK) Ltd**

Huxley Close, Park Farm South  
Wellingborough Northants NN8 6AB  
Phone: +44 (0)1933 677765  
Website: [www.alde.co.uk](http://www.alde.co.uk) • E-mail: [info@alde.co.uk](mailto:info@alde.co.uk)

**Alde International Systems AB**

Post address: Box 11066 • 29111 Färlöv • Sweden  
Visiting address: Wrangels Allé 90 • 29175 Färlöv  
Phone: +46 (0)44 712 70  
[www.alde.se](http://www.alde.se) • [info@alde.se](mailto:info@alde.se)