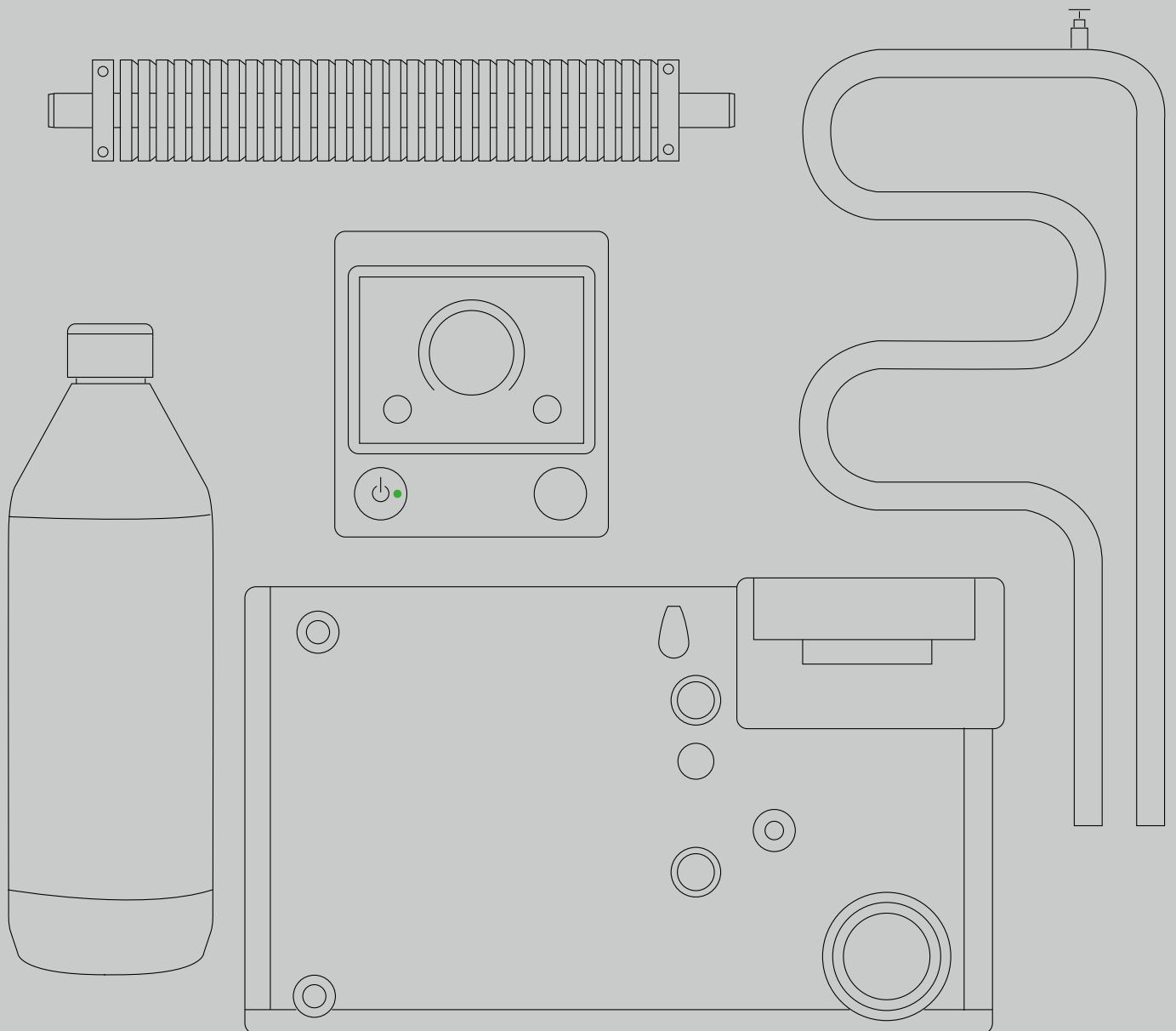


Products & Spare parts No. 26



Heating system _____ 9-48

Retail packaged products _____ 49-52

Spare parts _____ 53-63



SE

DK



DE



GB



FR

ES



IT

SI



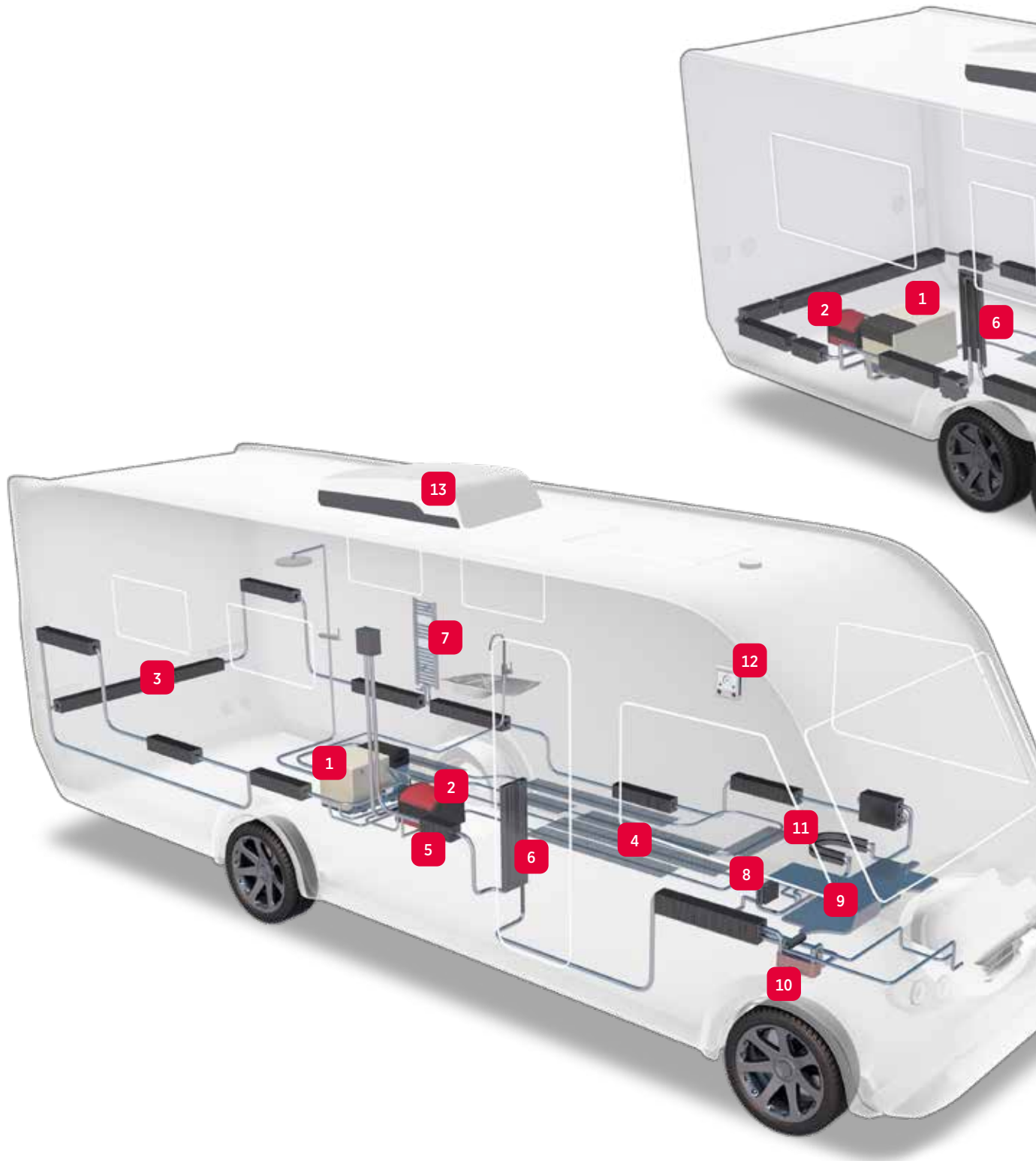
US

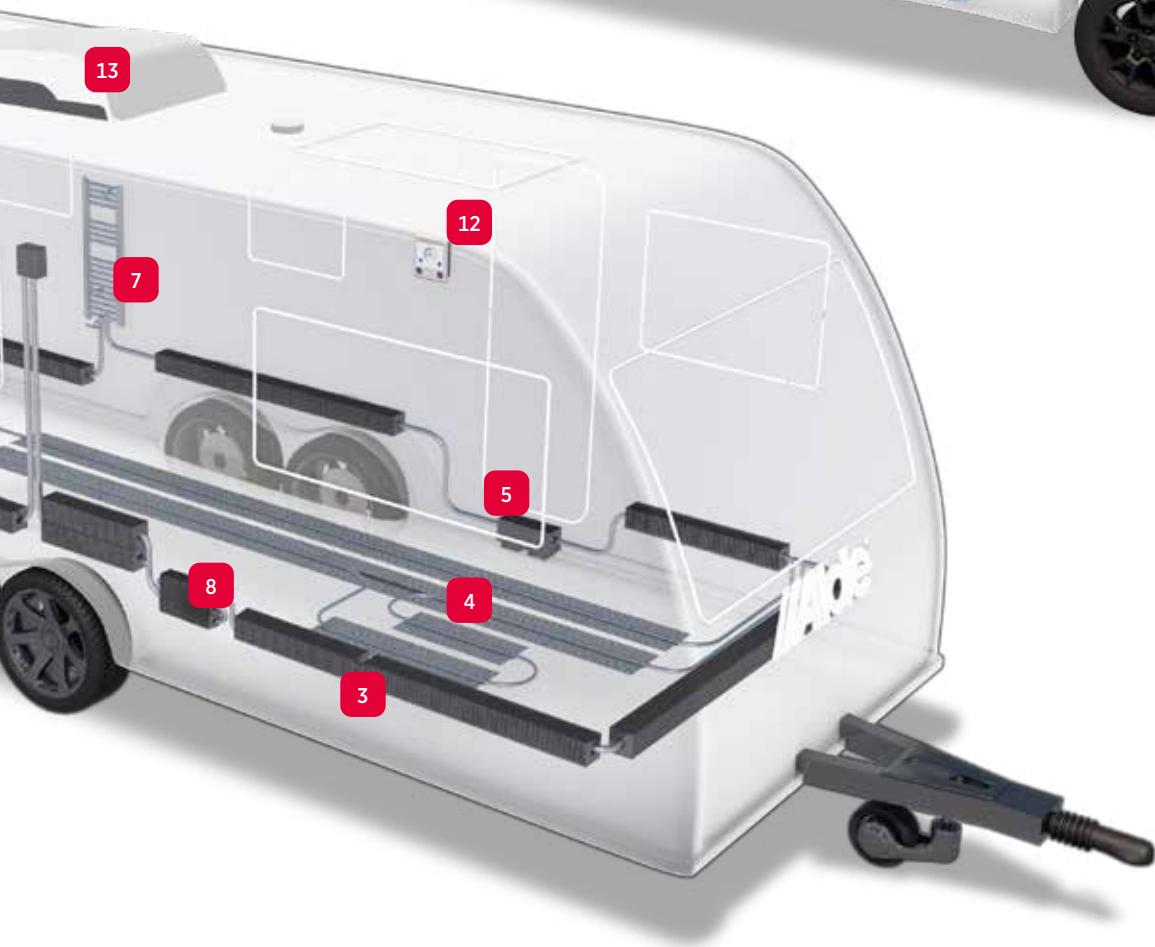
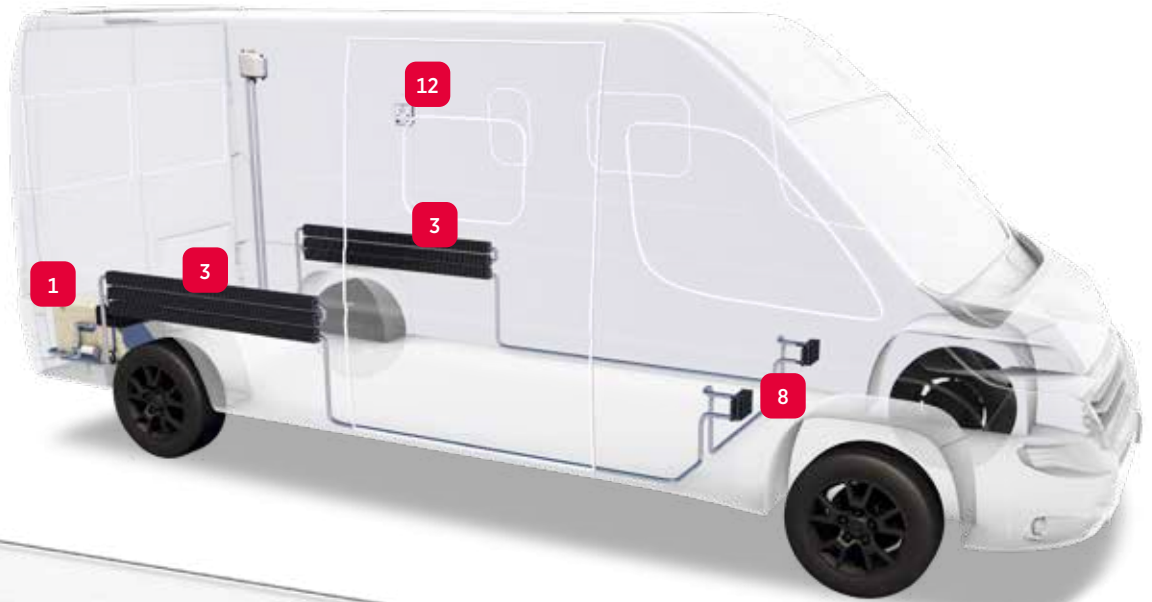
KR

HU



Alde Heating System





1



Boiler Alde Compact 3030/3030 Plus

The boiler is the heart of the system which produces heating and hot water. It is powered by LPG and electricity.
Read more on pages 10-15.

2



Alde Flow

The accessory Alde Flow provides continuous hot water, as much and as long as you desire.
Read more on page 24.

3



Convectors

The convectors are placed along the outer wall where they produce heat and enclose the environment with a protective thermal barrier that prevents draughts.
Available in a variety of models on pages 28-29.

4



Underfloor Heating

Our underfloor heating based on pipe coils creates pleasant, warm floors with that extra comfort feeling.
Read more on pages 32-33.

5



Fan Convector

An efficient way to get rapid and directed heating, for example in wardrobes to dry damp clothes and shoes.
Read more on page 29.

6



Panel Radiator

Elegant solution for efficient heating of small spaces.
Read more on page 31.

7



Heated Towel Rail

Provides warm, soft towels and additional heat in the toilet space.
Available in a variety of models on pages 30.

8



Heat Booster

Small and powerful heating unit with integrated fan for rapid and directed heating.
Read more on page 29.

9



Heating Mat

Provides pleasant warmth in the drive cabin while you are on the road.
Available in a variety of LHD models on pages 34-35.

10



Engine Heat Exchanger

Uses the motorhome's engine cooling system to produce heating and warm water.
Read more on pages 26-27.

11



Seat Heating Convector

Custom made convectors under the driver and passenger seat.
Read more on page 29.

12



Control Panel

Our intuitive control panel gives you full access to the entire range of heating system functions, including a number of smart comfort settings.
Read more on page 16.

13



Automatic Climate Control

Alde Heating System can be combined with an air conditioning from Truma. The electronic control ensures that you get the same, pleasant indoor temperature all year round.

Hydronic heating

The Alde central heating system is a hydronic system, with the same heating principle as in most of our homes.

The heat source comprises a LPG boiler with an immersion heater, which heats a liquid mixture consisting of water and glycol. Hot glycol water circulates around the system through radiators and pipes by means of a pump.

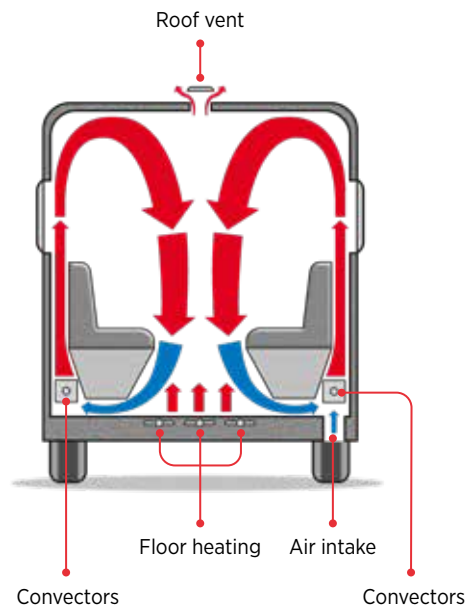
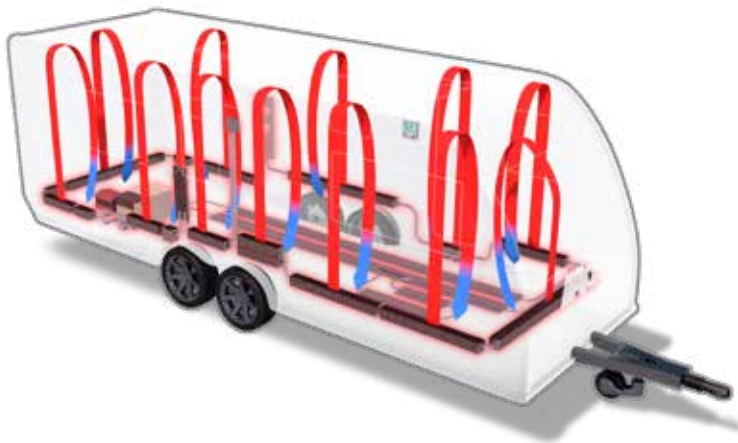
The convectors that are placed along the outer walls heat the air. This then rises and heats the walls and furniture.

Since hot air rises, an air barrier is formed in front of the windows, which keeps the chill off. When the warm air reaches the ceiling, it circulates down towards the floor and is reheated by the convectors. Each vehicle must have ventilation, i.e. fresh air needs to be supplied and used air expelled. The supplied fresh air in the vehicle should be directed in through an insulated air intake and on up through a convector with closely spaced slats. In this way the incoming fresh air is heated when the heating system is operational. The used air is ventilated out through the roof panel and ventilators.

The installation is important to produce the best heat distribution and pleasant heating.

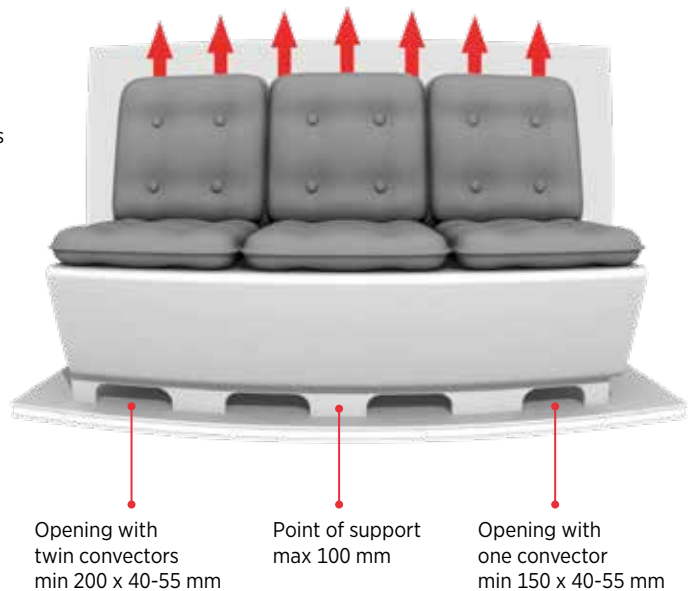
- As many and as long convectors as possible.
- Convectors must be placed under each window.
- The convectors are installed along and up against the outer walls.
- Air must be able to pass under beds and behind backrests.
- Ventilation in the cabinet so that air can circulate.

If the installation is correct, the natural flow of heat from the Alde central heating system means that the entire living space is wrapped in a comfortable environment, which shuts out draughts, eliminates cold spots and also heats both beds and cabinets. The installation of underfloor heating is also recommended to give a very complete heating system with maximum comfort. The heating pipes in the floor are connected to the ordinary pipe system.

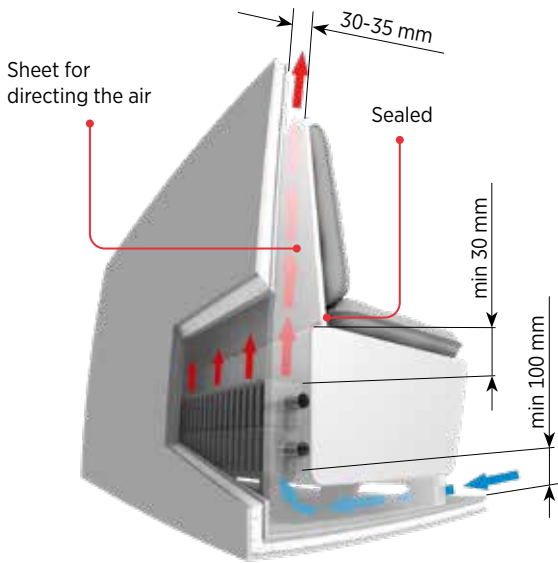


Installation Suggestions

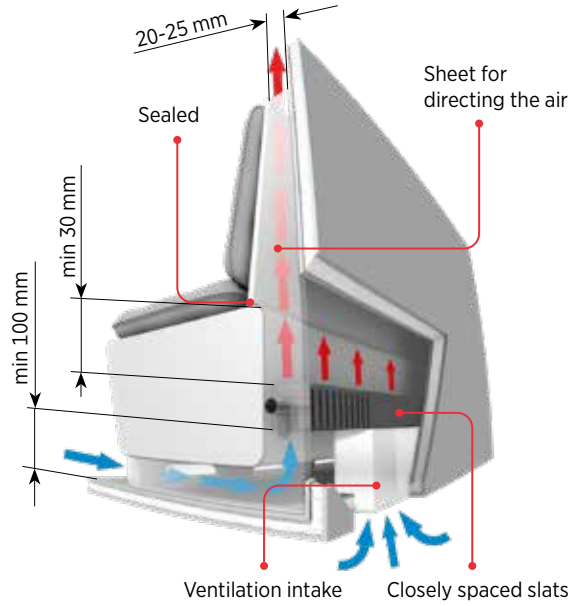
For the heating system to work optimally, it is important that the convectors should be installed in the right way. Below are given some examples of the most common ways of installing convectors and pipes.



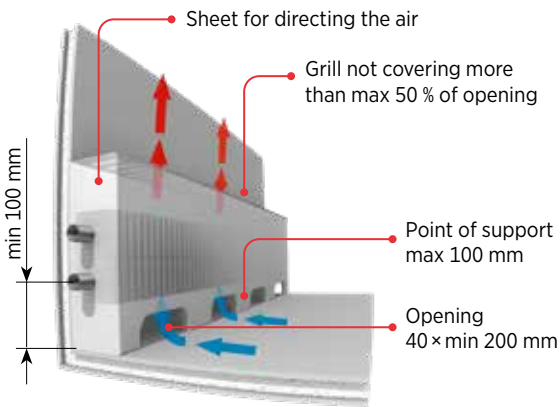
Twin convectors in bed case



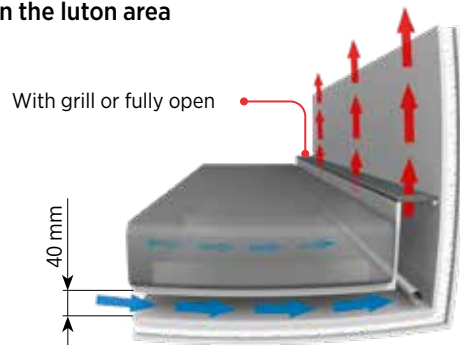
Convector and ventilation intake in bed case



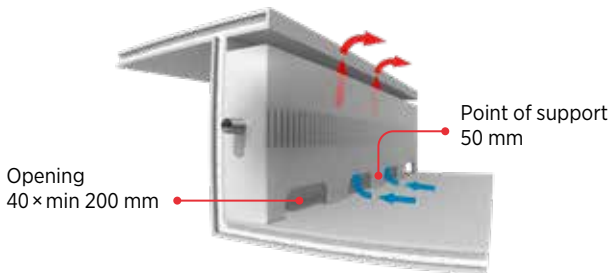
Twin convectors on wall



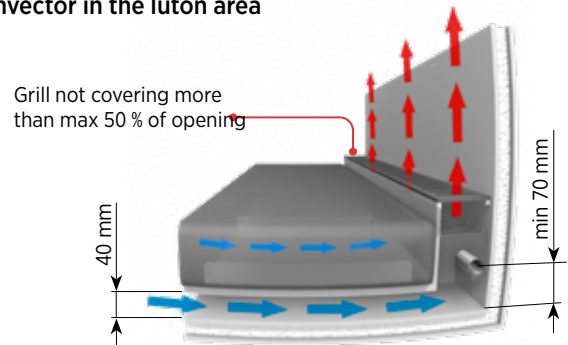
Pipes in the luton area



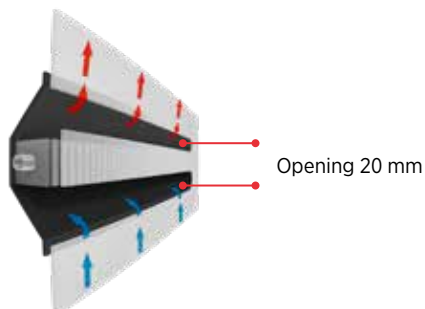
Convector at entrance



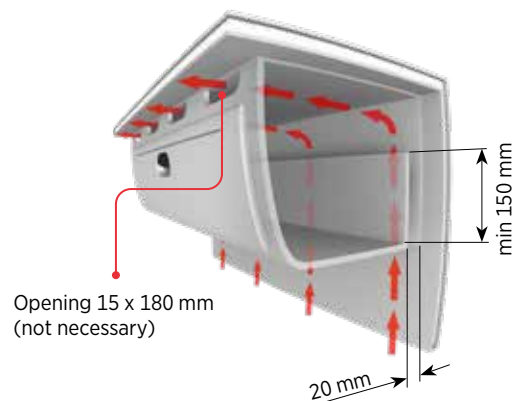
Convector in the luton area



In-built convector

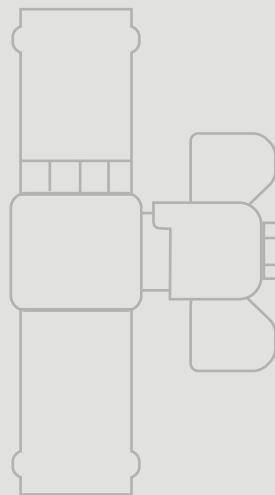
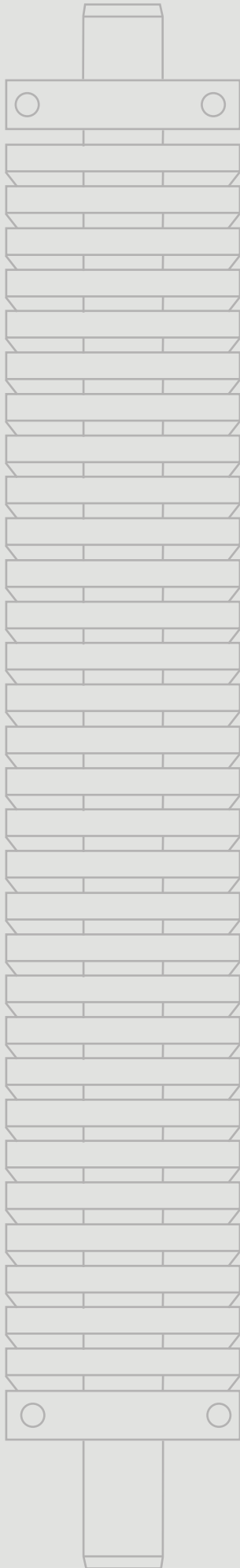


Air circulation in cabinet





Heating system



Central heating Alde Compact 3030/3030 Plus

New Alde Compact 3030/3030 Plus, with even more heating and hot water comfort



Alde Compact 3030.

- Potential for a 2-zone system (must be supplemented with an options dangle to control multiple circulation pumps).
- 20% larger water heater. Now 10 litres.
- Simpler, more modern user interface in the control panel.
- Upgraded Alde Intelligent Climate Technology (ICT).

Alde Compact 3030 Plus.

- Prepared for 2-zone system.
- 20% larger water heater. Now 10 litres.
- Continuous hot water via a built-in heat exchanger.
- Simpler, more modern user interface in the control panel.
- Upgraded Alde Intelligent Climate Technology (ICT).

The advantages of a 2-zone system.

With a 2-zone system, the bedroom section can be set to a lower temperature, while e.g. the kitchen / seating area can have a higher temperature. This is perfect in many of today's campers and RVs, where the bedroom section is properly separated from the kitchen / seating area. This not only increases overall comfort, it also saves fuel (LPG or electricity). The system is installed with separate convector circuits for each zone, where the temperature can be set individually.

Alde's Intelligent Climate Technology (ICT)

Alde's Intelligent Climate Technology automatically provides smooth, effective temperature transitions; the boiler calculates whether it needs to raise output or not to achieve the selected temperature. This is to avoid unnecessary energy being consumed and to ensure that the prioritised energy source is always used in first instance, unless there is an actual need to activate both electricity and gas. The boiler never uses more power than necessary.

In addition to the usual temperature setting, Alde's smart system includes Night Mode and Day Mode functions, which provide the ability to increase comfort by automating temperature changes and switching selected functions on or off during the day or night.

When a Truma AC* is connected to the Alde system and an Alde outside temperature sensor, you enjoy the additional functionality of Alde's intelligent climate technology. The AC is controlled from the same sensor as your Alde Heating System and can be controlled by the same smart Alde technology. If the Truma also has a heating function, it assists with the rapid heating of a cold vehicle.

* Truma Aventa (comfort, compact, compact plus).
Truma Saphir comfort RC, Truma Saphir compact (from serial no. 23091001)

Part no. 30309090 Alde Compact 3030 (basic model)



We also have bespoke Compact 3030 models which are prefitted with e.g. water connections, automatic bleeding and a 12 volt circulation pump.



Part no. 30309191 Alde Compact 3030 Plus (basic model)



We also have bespoke Compact 3030 Plus models which are prefitted with e.g. water connections and a 12 volt circulation pump.



Technical data Compact 3030/3030 Plus

Boiler height: 310 mm

Boiler depth: 340 mm

Boiler width: 510 mm

Weight Compact 3030 without fluid: 14 kg

Weight Compact 3030 Plus without fluid: 15 kg

Gas: Propane Butane

Output 1: 3,3 kW 3.8 kW

- Consumption: 245 g/h 275 g/h

Output 2: 5,5 kW 6,4 kW

- Consumption: 405 g/h 460 g/h

Pressure: $I_{3+(28-30/37)}$ $I_{3B/P(30)}$ $I_{3B/P(37)}$

Volume of liquid, radiator water: 3,5 Liter

Max pressure radiator water: 0,05 MPa (0,5 bar)

Volume of liquid, domestic hot water: 10 Liter

Max pressure domestic hot water: 0,3 MPa (3,0 bar)

System temperature: max 85 °C

Output element 230 - 240 V-: 3150 - 3430 W

Current consumption 12 V DC: 1,9 amp (max)

Boiler construction

Alde Compact 3030/3030 Plus internal heat exchanger consists of three concentric cylinders; the combustion chamber, the central heating cylinder and the hot water cylinder.

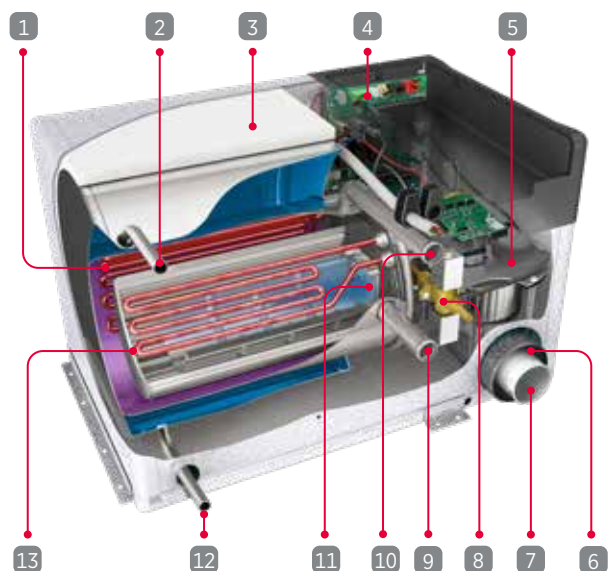
The combustion chamber is made from aluminium, and is divided into two halves by a baffle plate, with the burner head located in the top half, and the flue gases venting through the bottom half.

The combustion assembly is fixed to the end of the internal heat exchanger. It consists of the burner, combustion fan, gas valve, air intake and exhaust ducts, and gas line.

Two electric heating elements are sealed inside the central heating cylinder, one for 1 kW, one for 2 kW.

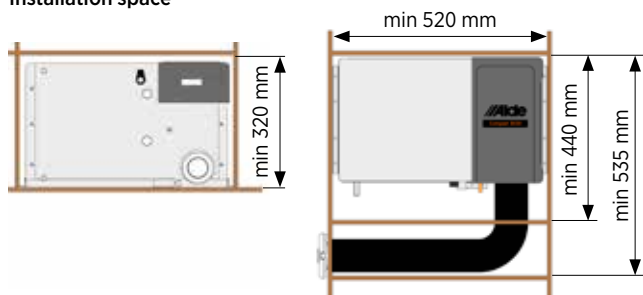
The room thermostat is integrated into the touchscreen control panel and connected to the boiler by a Registered Jack (RJ) cable.

Alde Compact 3030

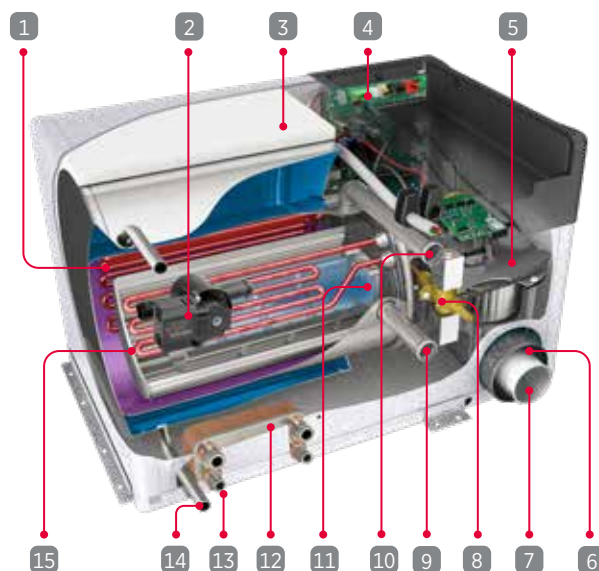


- | | |
|----------------------------------|-----------------------------------|
| 1. Electric heating element 2 kW | 7. Exhaust emission |
| 2. Domestic hot water | 8. Solenoid valve |
| 3. Insulation | 9. Glycol fluid IN |
| 4. Electronics | 10. Glycol fluid OUT |
| 5. Combustion fan | 11. Burner |
| 6. Air intake | 12. Domestic cold water |
| | 13. Electric heating element 1 kW |

Installation space

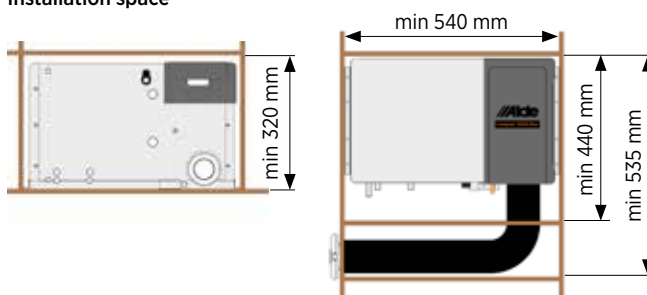


Alde Compact 3030 Plus



- | | |
|----------------------------------|-----------------------------------|
| 1. Electric heating element 2 kW | 8. Solenoid valve |
| 2. 3-way valve | 9. Glycol fluid IN |
| 3. Insulation | 10. Glycol fluid OUT |
| 4. Elektronik | 11. Burner |
| 5. Combustion fan | 12. Heat exchanger hot water |
| 6. Air intake | 13. Domestic hot water |
| 7. Exhaust emission | 14. Domestic cold water |
| | 15. Electric heating element 1 kW |

Installation space



Installation guide for Alde Compact 3030 with one heating zone

A number of fittings are needed to install and use the Alde Compact 3030:

- Flue, roof-mounted or side-mounted.
- Intake and exhaust hose.
- Connection cable for control panel.
- Control panel.
- 12 V circulation pump.
- Bleeding kit (recommended).
- Cold and hot water connections
- Safety/drain valve.
- Non-return valve.

Get more from your Alde heating system!

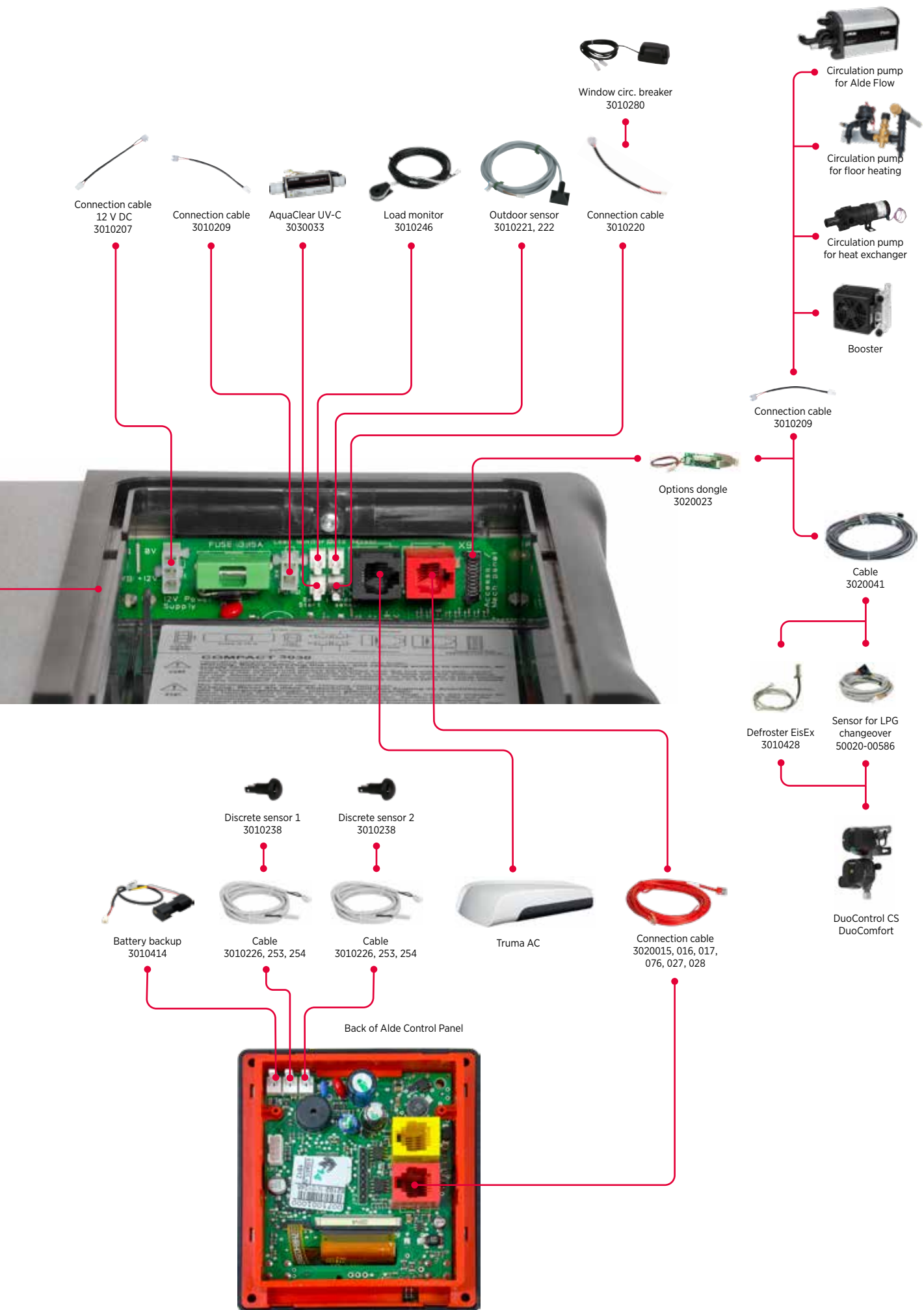
- Outdoor temperature sensor.
- Discrete room temperature sensor.
- Load monitor.
- Battery backup.
- Thermostatic Mixing Valve.
- Connection to AC.
- Alde AquaClear UV-C.

With options dongle:

- Defroster to pressure reducing valve.
- Sensor for LPG changeover.
- Control of the circulation pump with PWM.
- Control of fan on heat booster.
- Control of the circulation pump for the engine heat exchanger.
- Control of the circulation pump for underfloor heating.
- Control of the circulation pump for Alde Flow.



Installation guide for Alde Compact 3030 with one heating zone



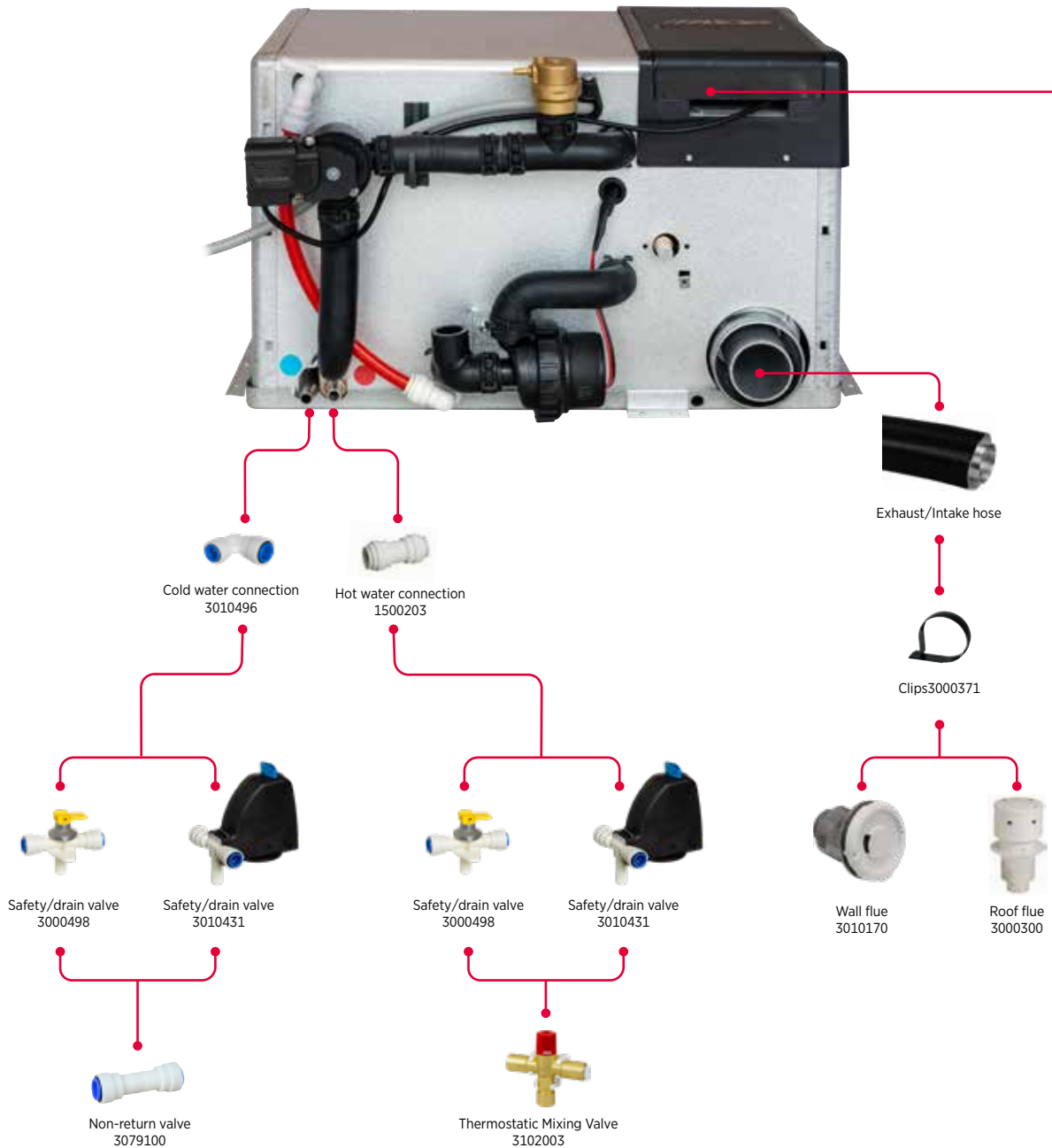
Installation guide for Alde Compact 3030 Plus with one heating zone

A number of fittings are needed to install and use the Alde Compact 3030 Plus:

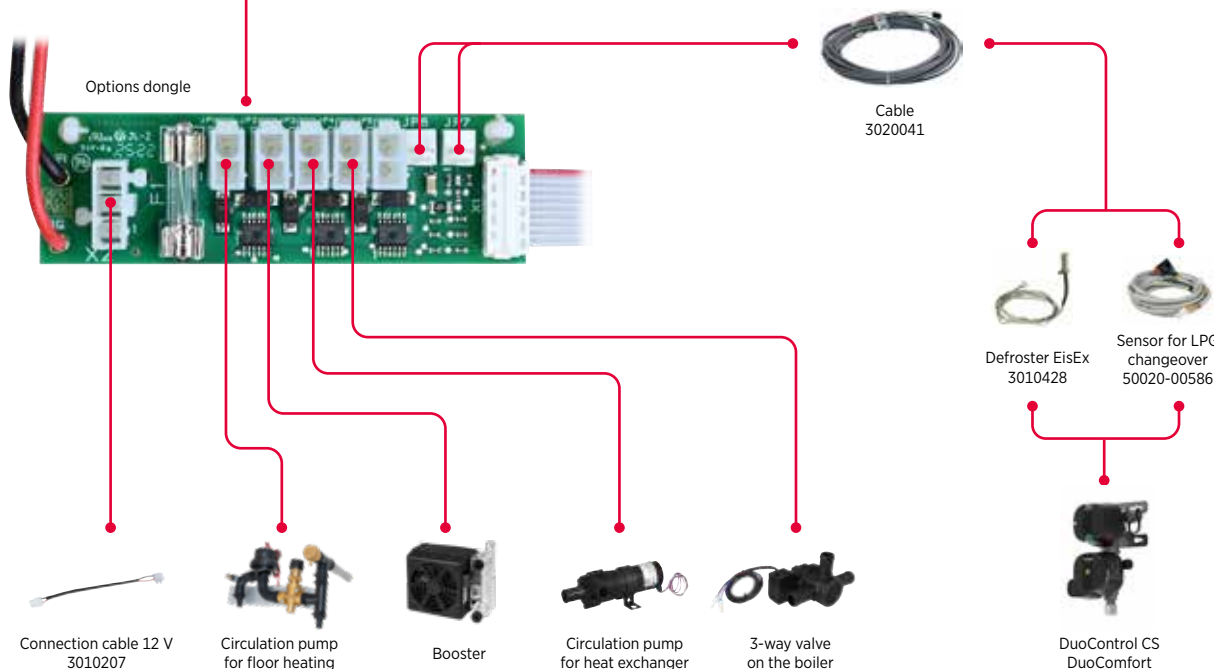
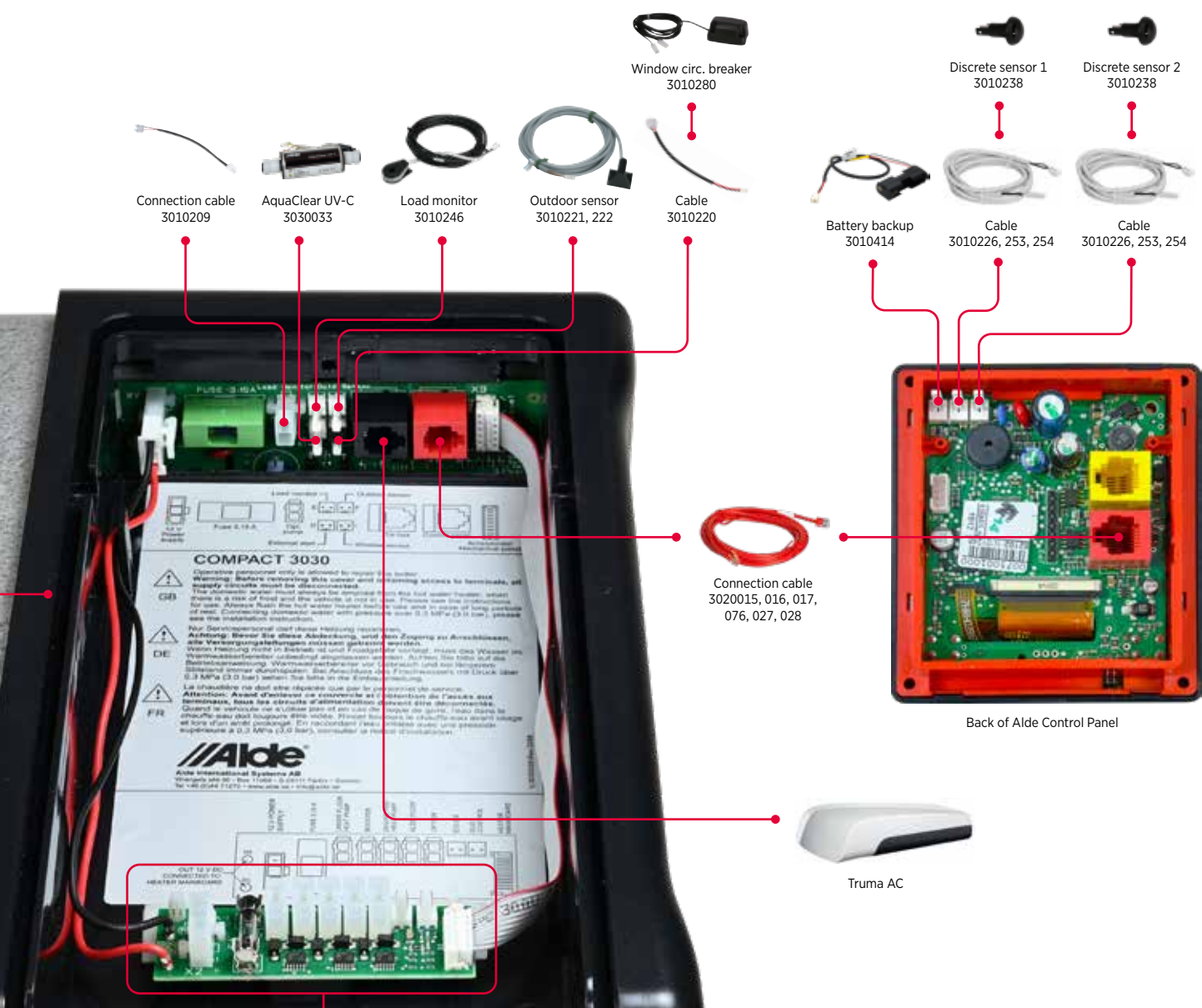
- Flue, roof-mounted or side-mounted.
- Intake and exhaust hose.
- Connection cable for control panel.
- Control panel.
- Cold and hot water connections
- Two safety/drain valves.
- Thermostatic Mixing Valve.
- Non-return valve.

Get more from your Alde heating system!

- Outdoor temperature sensor.
- Discrete room temperature sensor.
- Load monitor.
- Battery backup.
- Connection to AC.
- Alde AquaClear UV-C.
- Defroster to pressure reducing valve.
- Sensor for LPG changeover.
- Control of fan on heat booster.
- Control of the circulation pump for the engine heat exchanger.
- Control of the circulation pump for underfloor heating.



Installation guide for Alde Compact 3030 Plus with one heating zone



Control panel & Accessories

Control panel for Alde Compact 3030/3030 Plus



Control panel with a 3.5" touchscreen and a new user-friendly interface. Ability to control a heating system with two temperature zones.

Alde Compact 3030/3030 Plus can be connected to various Truma AC* models to provide fully automatic climate control (ACC). The control panel controls the AC and its lighting.

The control panel is divided into two menu categories:

Status screen main menu. This menu shows the temperature for 1 or 2 zones, energy selection, hot water and what is connected to Alde Compact 3030/3030 Plus and activated.

Settings menu. Accessories and functions are set and activated here.

External dimensions with front cover: 97 × 86 mm.
Hole size: 84 × 73 mm.

Part no. 3030112 Control panel without front cover.

* Truma Aventa (comfort, eco, compact, compact plus).
Truma Saphir comfort RC, Truma Saphir compact (from serial no. 23091001)



Main menu 1-zone



Main menu 2-zone



Change indoor temperature



Energy



Settings



Service information

Front cover

Front cover for control panel.
Part no. 3010616 Metallic grey.
Part no. 3010618 Gloss black.



Connection cable

Connection cable between boiler and control panel.

- Part no. 3020015 Length 3.0 m.
- Part no. 3020027 Length 6.0 m.
- Part no. 3020017 Length 9.0 m.
- Part no. 3020076 Length 10.0 m.
- Part no. 3020028 Length 12.0 m.
- Part no. 3020018 Length 15.0 m.



Connection cable for iNet X Pro

Length 0.5 m.
Part no. 3030150



Battery backup

Used to retain the control panel settings when the vehicle's main switch is off.
For 2x AA batteries (not included).
Part no. 3010414



Options dongle

An options dongle allows access to premium functions, such as control of the circulation pump for underfloor heating, engine heat exchanger and booster fan from the control panel. It also allows a DuoControl LPG changeover device to be connected and can be used for controlling Alde Flow.
The options dongle is fitted in the service hatch of the boiler with the fasteners supplied.
Option dongle is always pre-mounted on the Alde Compact 3030 Plus.
Part no. 3020023



Discrete sensor

Small button-design sensor, used to site a sensor wherever needed, or if the control panel's integrated sensor is affected by another heat source. Extends 8 mm from the wall.

Two discrete room sensors can be connected to the control panel. For best performance and comfort, one sensor will be sited in the bedroom area and one in the living room area. The governing room sensor can be selected on the control panel.

- Part no. 3010238 Sensor.
- Part no. 3010226 Cable. Length 0.5 m.
- Part no. 3010253 Cable. Length 2.0 m.
- Part no. 3010244 Cable. Length 5.0 m.
- Part no. 3010254 Cable. Length 8.0 m.



High exposure room sensor

Extremely sensitive discrete room sensor for the ultimate in accuracy. Extends 13 mm from the wall. Size 32 x 13 mm.

- Part no. 3010638



Outdoor sensor

Sensor with cable for measuring outdoor temperature. With the outdoor sensor connected becomes automatic air conditioning even better.

- Part no. 3010221 Length 2.5 m.
- Part no. 3010222 Length 5.0 m.



Load monitor

Used to limit power consumption of the vehicle. Reduces the output of the electric element in stages if the load is too high. This prevents the circuit breaker from tripping when you are using high-consuming appliances, such as coffee maker, kettle, blow dryer or vacuum cleaner.

- Part no. 3010246 Length 6.0 m.
- Part no. 3010251 Length 14.0 m.



Cable for booster fan and circulation pumps

Cable for connecting a booster fan and 12 V circulation pumps. Length 0.2 m.

- Part no. 3010209



Window circuit breaker

Switches off LPG operation of the boiler if the window is opened.

- Part no. 3010280 Window circuit breaker.
- Part no. 3010220 Connection cable. Length 0.2 m.



Sensor for LPG changeover

Indicates whether the LPG cylinders are ready for use. Cable length 1.5 m. The sensor is fitted to Trumas DuoControl CS (Black Line).

- Connects to the options dongle via cable 3020041.
- For use with Alde Compact 3010, use cable 3010419.
- Part no. 50020-00586



Defroster EisEx

EisEx, 12 volts defroster. Prevents icing of the regulator in the winter. Installed in the existing outlet on the regulator.

Fits Truma MonoControl CS, DuoControl CS, SecuMotion, DuoComfort and DuoControl.

- Connects to the options dongle via cable 3020041.
- For use with Alde Compact 3010, use cable 3010419.
- Part no. 3010428



Cable for LPG changeover

Used between the options dongle and sensor 50020-00586 as well as defroster 3010428. Length 10 m.

- Part no. 3020 041



Lead for external start

Lead to connect to telemetry system for external start of the boiler. Length 0.2 m.

- Part no. 3010219



Flue for Alde Compact 3030/3030 Plus

Wall flue

Flue for side installation. Delivered with hose clips for exhaust hose and inlet hose. Size of hole \varnothing 83 mm.

- Part no. 3010170 White flue cap.
- Part no. 3010375 Light grey flue cap.
- Part no. 3010376 Medium grey flue cap.
- Part no. 3010386 Dark grey flue cap.
- Part no. 3010384 Black flue cap.



Condensate spout

An accessory for every winter camper.

Ice formation on the side of the vehicle in winter is a well-known problem for caravan and motor caravan owners. The Condensate spout just clicks onto the wall flue. It also ensures the vehicle's heating system continues to operate. Material: PE black.

Part no. 3010697



Hose set for flue

Exhaust hose \varnothing 50.5 mm and intake hose \varnothing 75 mm in aluminium.

Permitted length of hose with wall flue 0.5-2.0 m.

Permitted length of hose with roof flue 2.0-3.5 m.

- Part no. 3010352 Length 0.97 m.
- Part no. 3010353 Length 1.45 / 1.5 m.
- Part no. 3010355 Length 2.45 / 2.5 m.



Insulation hose

Insulation hose \varnothing 80 x 13 mm. Is mounted on the Intake hose in order to reduce noise from fan and boiler operation. Length 2.0 m.

Part no. 3000361



Roof flue

Roof flue including hose clips for exhaust and intake hose.

Internal diameter 76 mm. Max. roof thickness 60 mm.

Height above roof, 95 mm.

15 pcs/pack.

Part no. 3000300



Extension pipe

Extension pipe for roof flue for winter camping.

Extends the flue by 200 mm.

Part no. 3000320



Exhaust hose

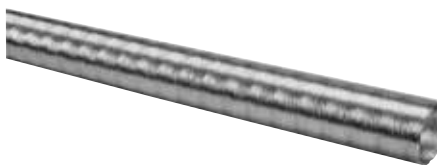
Exhaust hose \varnothing 50.5 mm.

Permitted length of hose with wall flue 0.5-2.0 m.

Permitted length of hose with roof flue 2.0-3.5 m.

Part no. 3000359 Aluminium. 20 m/pack.

Part no. 3000350 Stainless steel. 20 m/pack.



Intake hose

Intake hose \varnothing 75 mm in aluminium.

Permitted length of hose with wall flue 0.5-2.0 m.

Permitted length of hose with roof flue 2.0-3.5 m.

Part no. 3000360 Per metre. 40 m/pack.



P-Clips

P-Clips for securing Intake hose.

The hose should be fastened at c/c 60 cm.

450 pcs/pack.

Part no. 3000371



FrostControl

Combined safety valve and drain tap. Integrated frost protection that opens and drains the water heater automatically when there's a risk of frost (about +3 °C). The drain tap can also be opened manually. Installed close to the boiler's incoming fresh water pipe.

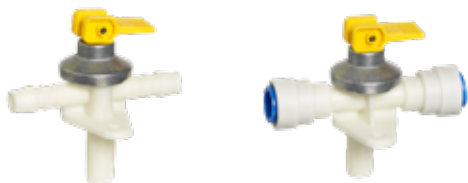
Part no. 3010430 Ø 10 mm hose connection.
Part no. 3010431 Ø 12 mm connection John Guest.



Safety/drain valve

Combined safety valve and drain cock. The safety valve opens at 3.5 bar. When draining water from the heater, the yellow lever is pushed upwards. Installed close to the boiler's incoming fresh water pipe..

Part no. 3000473 Ø 10 mm hose connection.
Part no. 3000498 Ø 12 mm connection John Guest.



Domestic cold water connection

Angle 90° for cold water.

Part no. 3010475 Ø 10 mm hose connection.
Part no. 3010496 Ø 12 mm connection John Guest.



Domestic hot water connection

Angle with built-in non-return valve which allows air in when the heater is drained. For hot water. Incl. 0.5 m hose for air in.

Part no. 3010471 Ø 10 mm hose connection.
Part no. 3010571 Ø 12 mm connection John Guest.



Non-return valve

Non-return valve, Ø 12 mm John Guest connection. Installed between the safety/drain valve and the fresh water pump.

Part no. 3079100



Water connection kit

Complete kit consisting of a safety valve / drain tap as well as cold and hot water connections.

For Ø 10 mm hose connection.

Part no. 3010598



Water connection kit - Speedfit

Complete kit consisting of a safety valve / drain tap as well as cold and hot water connections.

For Ø 12 mm John Guest connection.

Part no. 3010597



Adapter

From John Guest to Ø 10 mm hose connection.

Part no. 3010678



Ball valve

Brass ball valve tap ¼" R female. 30 pcs/pack.

Part no. 3565000



Hose nipple

Hose nipple for Ø 10 and Ø 12 mm hose. ¼" R male.

Part no. 2950147 Ø 10 mm hose.

Part no. 2950135 Ø 12 mm hose.



Non-return valve

Non-return valve in chrome plated brass. ¼" R female.

Part no. 3568000



Circulation pumps 12 V for heating systems with one zone

Inline circulation pump

Circulation pump 12 V for mounting on the Alde Compact 3030. Five speed with adjustable dial on motor. Must not be installed on Compact 3030 Plus with a single zone. Part no. 3010507

Technical data

Power consumption 12 volts: 0.25 - 1.9 A.
Connection: Ø 22 mm.



Inline circulation pump - Remote controlled

Circulation pump 12 V for mounting on the Alde Compact 3030 and Compact 3030 Plus. Connected to control panel to allow remote control of pump speed by PWM. Five speeds. Part no. 4900241

Technical data

Power consumption 12 volts: 0.25 - 1.6 A.
Connection: Ø 22 mm.



Inline circulation pump

Circulation pump 12 V for mounting on the Alde Compact 3030. Five speed with adjustable dial on motor. Must not be installed on Compact 3030 Plus with a single zone. Part no. 3020049

Technical data

Power consumption 12 volts: 0.25 - 1.6 A.
Connection: Ø 22 mm.



Inline circulation pump - Remote controlled

Circulation pump 12 V for mounting on the Alde Compact 3030 and Compact 3030 Plus. Connected to control panel to allow remote control of pump speed by PWM. Five speeds. Part no. 3020031

Technical data

Power consumption 12 volts: 0.25 - 1.6 A.
Connection: Ø 22 mm.



Circulation pump kit

The circulation pump kit for the Alde Compact 3030/3030 Plus consists of 12 V circulation pumps for heating systems with two separate zones.

Five speed with adjustable dial on motor.

Part no. 1900992

Technical data

Flow: 6 - 15 l/min.

Power consumption 12 volts: 0.25 - 1.9 A.

Connection: Ø 22 mm.



Circulation pump kit

The circulation pump kit for the Alde Compact 3030/3030 Plus consists of 12 V circulation pumps for heating systems with two separate zones.

Five speed with adjustable dial on motor.

Part no. 1900984

Technical data

Flow: 3 - 11 l/min.

Power consumption 12 volts: 0.3 - 1.5 A.

Connection: Ø 22 mm.



Booster pump

Booster pump 12 V for installation on Alde Compact 3030 Plus when circulation pump kit 1900984 is installed in the heating system.

The pump is only used when the hot water boost function is switched on. The pump motor knob must always be set at 5.

Part no. 3030827

Technical data

Power consumption 12 volts: 0.5 A.

Connection: Ø 22 mm.



Expansion tank

Expansion tank - Wall

Expansion tank including wall-mounting, mounting nuts for circulation pump 2928420/433 and drainage hose. Reversible for adaptation to the heating system's pipes.

Part no. 3000420

Technical data

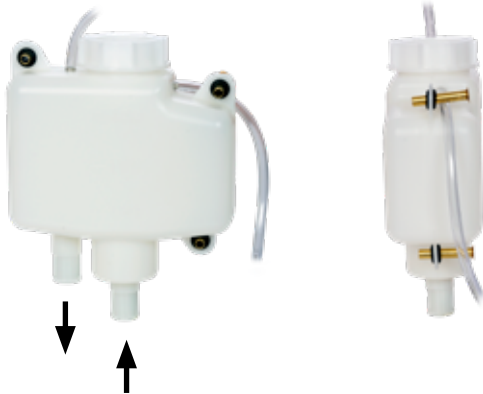
Breadth: 180 mm.

Height: 231 mm incl caps and connecting pipe.

Depth: 75 mm.

Volume: 1.5 lt.

Connection: Ø 22 mm.



Expansion tank - Corner

Expansion tank for corner installation including wall-mounting, mounting nuts for circulation pump 2928420/433 and drainage hose.

Part no. 3000495

Technical data

Breadth: 210 mm.

Height: 231 mm incl caps and connecting pipe.

Depth: 116 mm.

Volume: 2.0 lt.

Connection: Ø 22 mm.



Protective cover - Wall

Protective cover in light grey plastic, for mounting in front of the expansion tank. Also protects the circulation pump.

Only fits expansion tank 3000 420.

Size ca 700 x 200 mm.

Part no. 3000440



Protective cover - Corner

Protective cover in light grey plastic, for mounting in front of the expansion tank.

Only fits expansion tank 3000 495.

Size ca 710 x 250 mm.

Part no. 3000640



Expansion tank - Corner

Expansion tank for corner installation. Including wall-mounting and drainage hose. Intended for large heating systems. Single port.
Part no. 3020081

Technical data

Breadth: 210 mm.
Height: 351 mm incl connecting pipe.
Depth: 116 mm.
Volume: 4.0 Liter.
Connection: Ø 22 mm.



Expansion tank – Bottom Filled

Expansion tank in plastic with drainage and bleed hose. Reversible, with three wall mountings. Single port. For use with bottom-filled systems only.
Part no. 3020045

Technical data

Breadth: 220 mm.
Height: 300 mm.
Depth: 40 mm.
Volume: 2.0 Liter.
Connection: Ø 22 mm.



Floor inlet

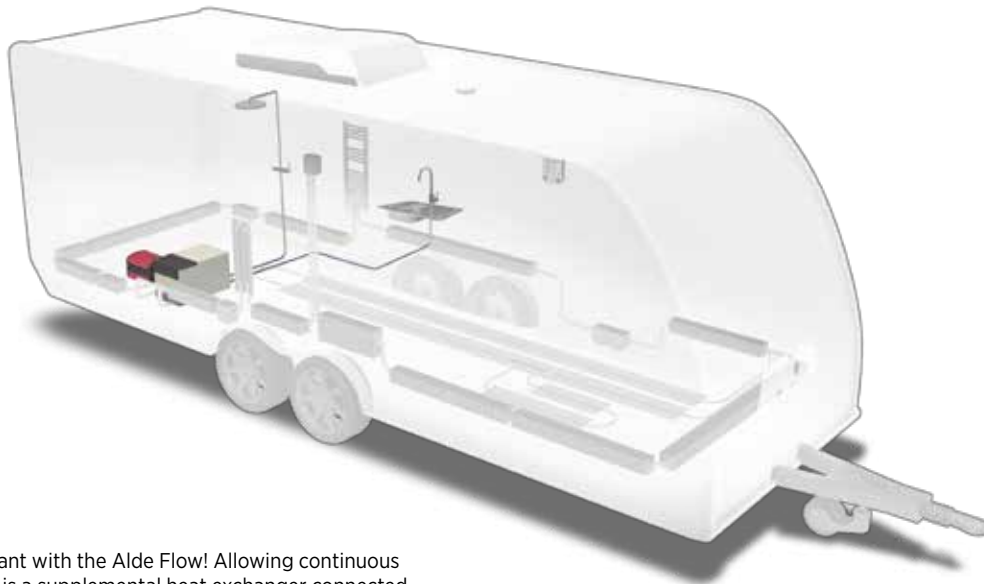
Floor inlet for air hoses and draining hoses from the expansion tank and boiler. Outlet for four hoses.
Size of hole: Ø 32 mm. 50 pcs/pack.
(The hoses are not included, only for the illustration)
Part no. 1900565



Flow Assembly

Rubber connector with automatic air bleed valve, and non-return valve to prevent auto-circulation of central heating. Fitting to the flow duct of the boiler. Drainage hose 1 m.
Installed on the boiler's output connection.
Part no. 1900585





Alde Flow

Shower as long as you want with the Alde Flow! Allowing continuous hot water, the Alde Flow is a supplemental heat exchanger connected to the 3020 Compact HE system.

By increasing the surface area between the central heating and hot water, the water can be heated as it flows through the system without needing a large storage tank.

Alde Flow, in combination with Alde Compact 3030 or Alde Compact 3020 HE* in boost mode and with a flow of 3.5 litres per minute (equal to a standard caravan/motorhome shower) gives you continuous 40 °C shower water as long as you have a fresh water supply.

For pre-2016 Alde Compact models, Alde Flow functions as auxiliary 6 litre hot water storage.

If installing Alde Flow, water connections are needed along with a safety valve/drain tap (see page 19).

Part no. 3020161

* Applies from 2016 models.

Technical data

Breadth: 225 mm.

Height: 180 mm.

Depth: 320 mm, without pump.

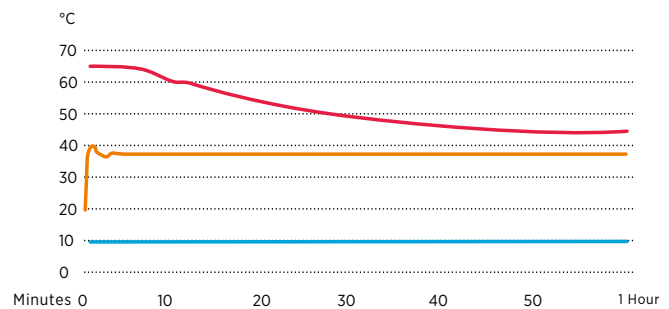
Weight: 2,3 kg.

A one-hour shower at a flow of 3.5 l/min.

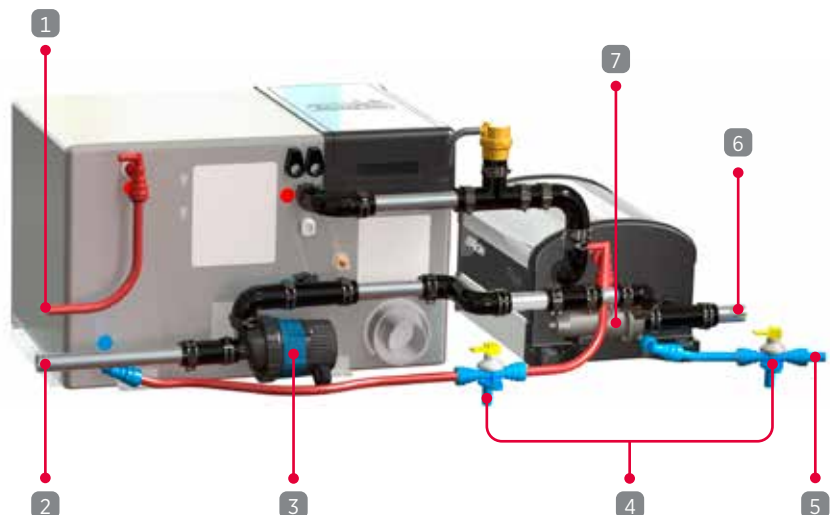
Hot water temperature boiler. —

Shower water temperature (38 °C). —

Supply water temperature (10 °C). —



1. Hot water OUT.
2. Return from central heating system.
3. Circulation pump central heating system.
4. The safety / drain valve.
5. Fresh water IN.
6. Non-return valve.
7. Circulation pump Alde Flow



Alde AquaClear



Alde AquaClear is an efficient 12 V water disinfection product for greater water quality safety in low pressure systems where the water is filled externally and stored in a tank, with a consequent higher risk of microbiological growth. Disinfection is based on UV-C light through the latest UV-C LED technology and the Alde Water Carbon Filter. The product neutralizes around 99% of the micro-organisms during water flow (up to 4 litres per minute).

Alde AquaClear is connected to the boiler's circuit board (NOTE! Only Alde Compact 3030/3030 Plus). When the UV-C filter is active, it is indicated on the boiler control panel.

Alde AquaClear has a service life of around 70 cubic metres of water, or approx 300 hours of active operation. (With an approximate usage of 20 minutes per day, product lifetime is around 900 days.) When Alde AquaClear is connected to Alde Compact 3030/3030 Plus, the number of operating hours is shown in the control panel.

Because the pressure drop across Alde AquaClear is up to 0.9 bar, we recommend a freshwater pump with a pressure of at least 2 bar.

Contains: Water purification unit, clamps, 8 m extension cable, adapters for 12 mm hose and charcoal filter.
length: 420 mm incl. connections. Ø 50 mm.

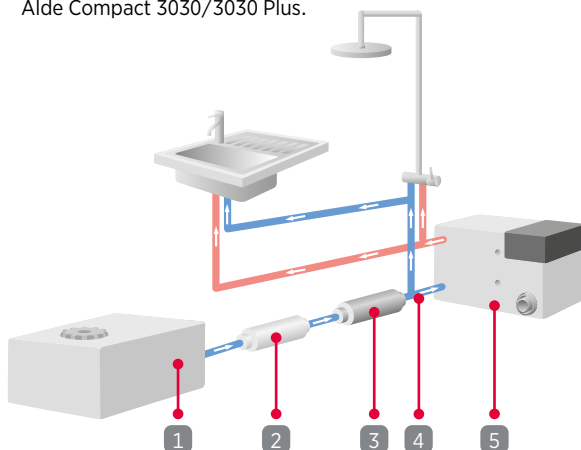
Part no. 3030033 Complete installation kit for Alde Compact 3030/3030 Plus



	Eliminates	Reduces	Improves
E-coli bacteria	✓**		
Legionella bacteria	✓**		
Chlorine	✓		
Smell	✓		
Pesticides		✓	
Heavy metals		✓	
Taste			✓

** 99,9% at a water flow <4 l/min

1. Freshwater tank with pump.
2. Alde AquaClear UV-C.
3. Alde Water Carbon filter.
4. T-coupling.
5. Alde Compact 3030/3030 Plus.



Carbon filter refill

Refill cartridge, Alde Water Carbon filter for AquaClear.
Part no. 3030032



Alde Thermostatic Mixing Valve 3

Thermostatic mixing valve with wall-mounting bracket. For prevention of hot water scalds by mixing hot water with cold before the outlet. Warm water temperature adjustable between 30 to 40 °C. Quick response with emergency cut-off and sediment filters. Highest standard, suitable for nursery and elderly care environments. Integral Ø 12 mm JG Speedfit connections, no adaptors necessary.
Part no. 3102003



Technical data

Breadth: 101 mm.
Height: 93 mm.
Depth with bracket: 30 mm.
Weight: 0,3 kg.
Maximum working pressure: 5,0 bar.
Minimum working pressure: 0,2 bar.
Minimum flow rate 15 mm: 1 l/min.
Temperature, hot supply: 55 °C - 65 °C (max 85 °C).
Temperature, cold supply: 5 °C - 25 °C.

Alde Water Pump

Fresh water pump, foot-operated diaphragm type. Made of die cast light-alloy. Pumping heights up to 4 m. Maximum suction lift 1 meter.
Part no. 3080901
Part no. 3080006 Rubber diaphragm (spare part).



Fresh water hose

Fresh water hose, Ø 12 mm John Guest
Part no. 1500220 Blue for cold water.
Part no. 1500230 Red for hot water.



Engine heat exchanger

Engine heat exchanger

The waste heat in an engine's cooling system can be used for heating the living space via Alde's engine heat exchanger and central heating system. Then all that's required is to set the desired room temperature on the control panel as normal and the central heating circulates automatically when called for.

The system can be reversed if a circulation pump (2755) is installed in the engine cooling system, allowing the engine to be pre-heated, saving the extra fuel used in cold starting.

When installing the engine heat exchanger, the vendor or vehicle manufacturer should be consulted to avoid technical mishap.

Part no. 2968901 Standard model.

Part no. 2968912 With shut-off cock, angled connections and venting nipple.



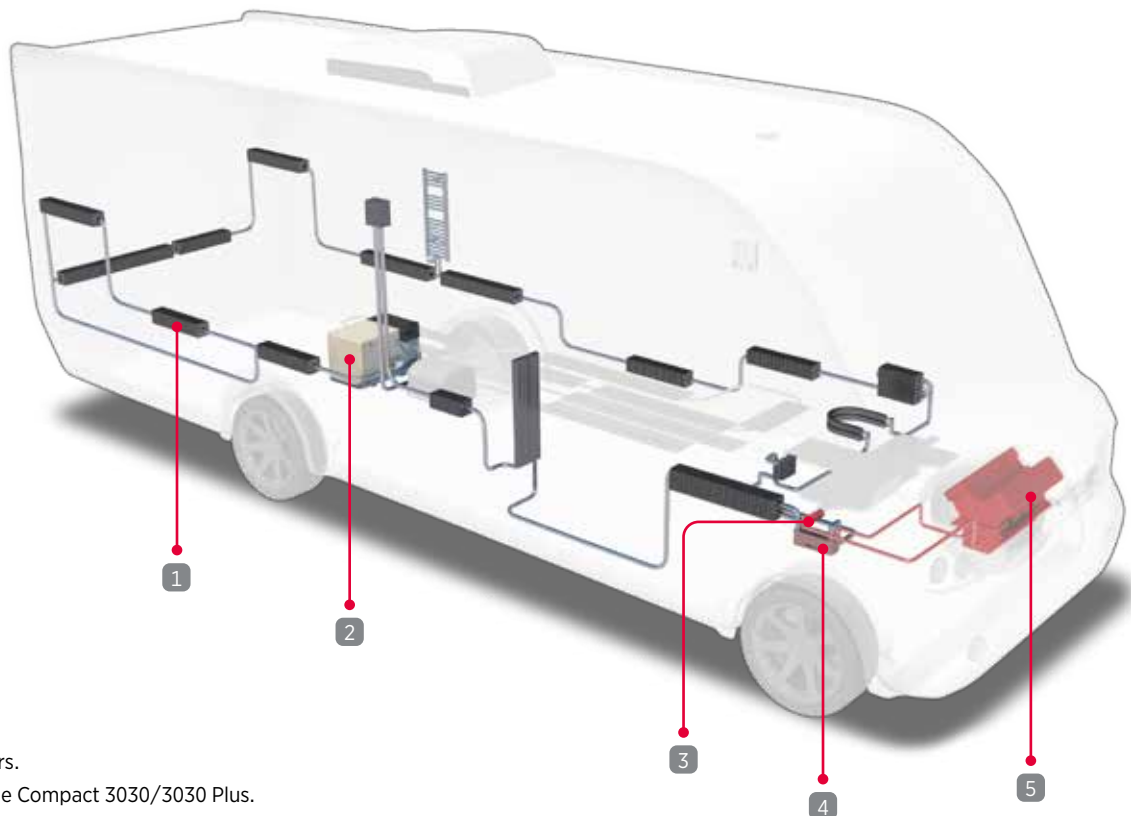
Technical data

Dimensions: L 190 × B 72 × H 65 mm (excl. connections).

Weight: 1,3 kg.

Connection to the heating system: Ø 22 mm.

Connection to the engine system: Ø 16 mm.



1. Convectors.
2. Boiler Alde Compact 3030/3030 Plus.
3. Circulation pump 2755000
4. Engine heat exchanger 2968.
5. Engine.

Bracket

Bracket for engine heat exchanger.
Part no. 2968303



Rubber elbow

Rubber elbow 150 x 150 mm. Ø 15 x 4.5 mm. 100 pcs/pack.
Part no. 2968301



Radiator hose

Radiator hose reinforced, Ø 15.7 x 3.6 mm. 60 m/pack.
Part no. 2968302



Band clip

Band clip 22 x 12 mm for reinforced radiator hose and rubber elbow 2968301.
Part no. 1900225



Connector

Plastic connector 16 - 22 mm.
Part no. 2968322



T-pipe

For the connection of the engine heat exchanger to the motor.
Part no. 2968304 16/16/16 mm in brass.
Part no. 2968316 16/19/19 mm in brass.
Part no. 2968319 19/19/19 mm in brass.
Part no. 2968306 16/22/22 mm in plastic.



Assembly set

Assembly set with rubber angles, clips and holder for engine heat exchanger 2968901.
Part no. 2968300



Heating control

Heating control for remote control of the flow between the motor and engine heat exchanger. Ø 16 mm hose connection.
Wire length: 1.0 m.
Part no. 2968310



Circulation pump - Engine pre-heat

Is used when the central heating and engine heat exchanger are to function as an engine-pre-heater. The permanent magnetic centrifugal motor does not restrict circulation when not in use. The circulation pump can be controlled either by a main switch or via 'Engine pre-heat' on the control panel (requires option dongle 3020023).

Part no. 2755000

Technical data

Hose connection: Ø 16 mm.
Max. flow with 0.1 bar: 15 l/min.
Voltage: 9 - 15 V.
Power consumption: < 1,2 A.



Convectors

Convectors 60 x 60 mm, Ø 22 mm

Convectors in Aluminium. 42 pcs/pack.

- Part no. 1900385 Length 400 mm.
- Part no. 1900384 Length 700 mm.
- Part no. 1900383 Length 1000 mm.
- Part no. 1900382 Length 1300 mm.
- Part no. 1900381 Length 1600 mm.
- Part no. 1900380 Length 1900 mm.

Technical data

Height including mounting: 60 mm.
 Depth including mounting: 65 mm.
 Power: 400 W/m at $\Delta T = 50\text{ }^{\circ}\text{C}$.
 Weight: 0,67 kg/m including liquid.



Convector 60 x 60 mm, Ø 22 mm with guard

Convector with fitted guard of structured aluminium sheet.

- Part no. 1900407 Length 600 mm.
- Part no. 1900405 Length 900 mm.
- Part no. 1900408 Length 1200 mm.
- Part no. 1900406 Length 1500 mm.

Technical data

Height including mounting: 85 mm.
 Depth including mounting: 68 mm.
 Power: : 400 W/m at $\Delta T = 50\text{ }^{\circ}\text{C}$.
 Weight: 0,8 kg/m



Convectors 60 x 60 mm, Ø 16 mm

Convectors in Aluminium. 42 pcs/pack.

- Part no. 1916104 Length 400 mm.
- Part no. 1916107 Length 700 mm.
- Part no. 1916383 Length 1000 mm.
- Part no. 1916382 Length 1300 mm.
- Part no. 1916116 Length 1600 mm.

Technical data

Height including mounting: 60 mm.
 Depth including mounting: 65 mm.
 Power: 340 W/m at $\Delta T = 50\text{ }^{\circ}\text{C}$.
 Weight: 0,54 kg/m including liquid.



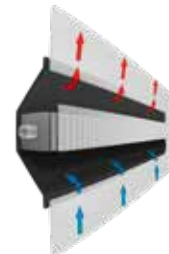
In-built convector Ø 22 mm

Convector in aluminium for recessing in stowage compartments, etc. For Ø 22 mm heating system. Power approx. 400 watt/m at $\Delta T = 50\text{ }^{\circ}\text{C}$.

- Part no. 1900456 305 mm.
- Part no. 1900457 555 mm.
- Part no. 1900458 805 mm.

Technical data

	1900456	1900457	1900458
Height including frame:	205 mm	205 mm	205 mm
Length including frame:	305 mm	555 mm	805 mm
Pipe length:	336 mm	577 mm	830 mm
Depth:	65 mm	65 mm	65 mm
Weight:	0,3 kg	0,5 kg	0,75 kg



Thin Convectors 60 x 30 mm, Ø 16 mm

Thin convectors in Aluminium. 84 pcs/pack.

- Part no. 1936460 Length 250 mm.
- Part no. 1936385 Length 400 mm.
- Part no. 1936389 Length 600 mm.
- Part no. 1936386 Length 900 mm.
- Part no. 1936383 Length 1000 mm.
- Part no. 1936480 Length 1200 mm.

Technical data

Height including mounting: 60 mm.
 Depth including mounting: 35 mm.
 Power: 240 W/m at $\Delta T = 50\text{ }^{\circ}\text{C}$.
 Weight: 0,39 kg/m including liquid.



Rubber sleeve Ø 16 > 22 mm

Rubber sleeve Ø 16 > 22 mm. 600 pcs/pack.
 Part no. 1900597



Seat heating convector Ø 22 mm

U-shaped convector package for mounting in the seat base. They click in place on the underframe of the seat, in one simple operation. Available for Fiat, Peugeot, Citroën and Renault chassis.

Supplied with clips, rubber connection and clamps.

Part no. 1900959



Technical data

Dimensions: L 480 x H 220 x B 340 mm.

Power: 400 W at $\Delta T = 50\text{ }^{\circ}\text{C}$.

Weight: 1,0 kg.



Fan convector

A compact heating package consisting of a specially manufactured, tightly packed convector with two 12 volt fans. Efficient in such places as drying cabinets. Two fan speeds.

The fan convector can be controlled either via switch 1900658 or via the boiler's control panel (option dongle 3020023 must be installed on the boiler).

Part no. 1900665 Ø 22 mm

Part no. 1916665 Ø 16 mm



Technical data

Dimensions: L 250 x H 101 x D 67 mm.

Power: 180 W at $\Delta T = 50\text{ }^{\circ}\text{C}$.

Voltage: 10 - 14 V DC.

Power consumption: 300 mA.

Weight: 0,3 kg.



Fan package for convectors

The fan package is mounted under a convector where extra heat and increased airflow are needed.

For maximum heating power, the fan package should be mounted on a tightly packed convector. Two fan speeds.

The fan package can be controlled either via switch 1900658 or via the boiler's control panel (option dongle 3020023 must be installed on the boiler).

Part no. 1900660



Technical data

Dimensions: L 184 x H 55 x D 67 mm.

Voltage: 10 - 14 V DC.

Power consumption: 300 mA.



Booster with fan

A compact heating package consisting of a specially manufactured aluminium radiator. Two fan speeds.

The booster's fan can be controlled either via switch 1900658 or via the boiler's control panel (option dongle 3020023 must be installed on the boiler).

Part no. 1900630 Ø 22 mm

Part no. 1916630 Ø 16 mm



Technical data

Dimensions: B 210 x H 160 x D 90 mm.

Effekt: 650 W at $\Delta T = 50\text{ }^{\circ}\text{C}$.

Voltage: 10 - 14 V DC.

Power consumption: 350 mA.

Weight: 0,8 kg.



Ducted cover

Used to guide the air flow via a hose to specific points.

For booster 1900630 and 1916630. Hose connection, Ø 57 mm.

Part no. 1900886



Cover installed on booster

Switch

Switch for heating booster and fan convector.

Two output settings. Size of hole: Ø 20 mm.

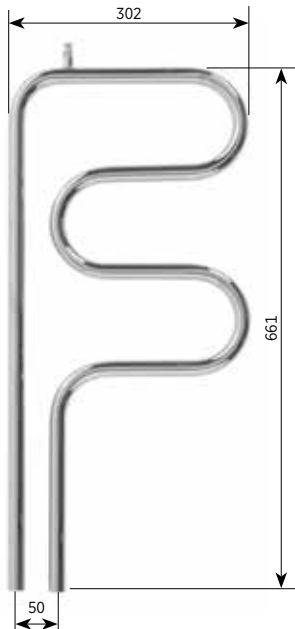
Part no. 1900658



Heated towel rail

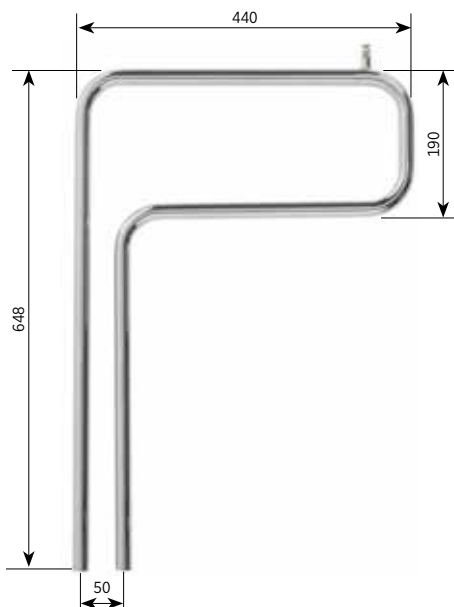
Heated towel rail

Heated towel rail in chrome-plated steel tubing which is assembled directly into the normal central heating system. Bleed screw at the top of the heater. Ø 22 mm connection. Use holder 1900615 for installation.
Part no. 1900618



Heated towel rail

Heated towel rail in chrome-plated steel tubing which is assembled directly into the normal central heating system. Bleed screw at the top of the heater. Ø 22 mm connection. Use holder 1900615 for installation.
Part no. 1900619



Towel radiator

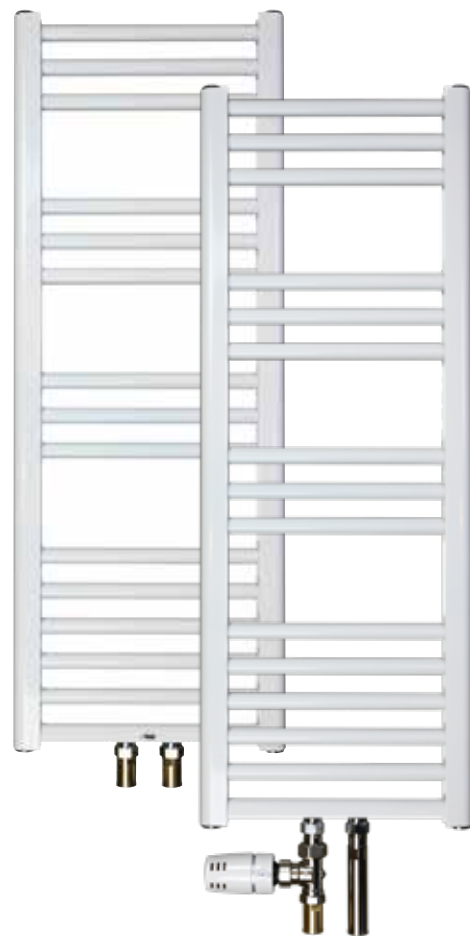
An exclusive Towel radiator for bathrooms and toilets. The Towel radiator is traditionally constructed for practical hanging up of towels and has a high performance heat output.

It is produced in aluminum and powder lacquered. One model is equipped with a thermostat for regulation of the temperature. Delivered with adjustable wall holders.

Part no. 1900181 White (RAL 9016) without thermostat
Part no. 1900182 White (RAL 9016) with thermostat
Part no. 1910001 Anthracite grey (RAL 7016) without thermostat

Technical data

Dimensions: H 840 x B 300 mm.
Power: 250 W.
Weight: 3,7 kg.
Connection: Ø 22 mm.



Protective cover

Protective cover for the pipes connecting towel warmers 1900181 and 1900182.

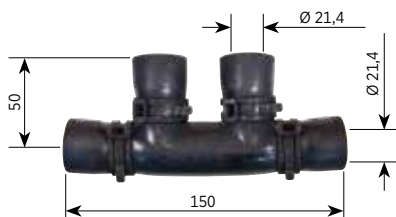
Art. nr. 1900569



Rubber connection Ø 22 mm

Rubber connection for heated towel rail 1900181, 182, 618 and 619. EPDM 21,4 x 4,25 mm.

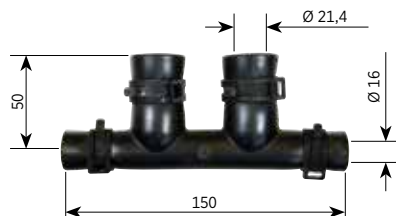
Part no. 1900609
Part no. 1900837 With prefitted spring Band clips.



Rubber connection Ø 16 mm

Rubber connection for heated towel rail 1900181, 182, 618 and 619. EPDM 16 x 21,4 x 4,25 mm.

Part no. 1916218 With prefitted spring Band clips.



Bracket

Plastic bracket for heated towel rails. Chrome effect, Shock-Absorbent. 10 pcs/pack.

Part no. 1900615



Panel radiator

Designed panel radiator in aluminium. Suitable for confined spaces such as toilets, wardrobes, in which it is difficult to install an ordinary convector. Includes bleeder screw on top.



For Ø 22 mm heating system

Part no. 1900686 500 mm White (RAL 9016).
Part no. 1900687 500 mm Silver (RAL 9006).
Part no. 1900680 700 mm White (RAL 9016).
Part no. 1900681 700 mm Silver (RAL 9006).

Technical data

Height: 500 / 700 mm.
Breadth: 220 mm.
Power: 110 / 150 W at ΔT= 50 °C.
Weight: 1,7 / 2,4 kg.
Connection: Ø 22 mm.



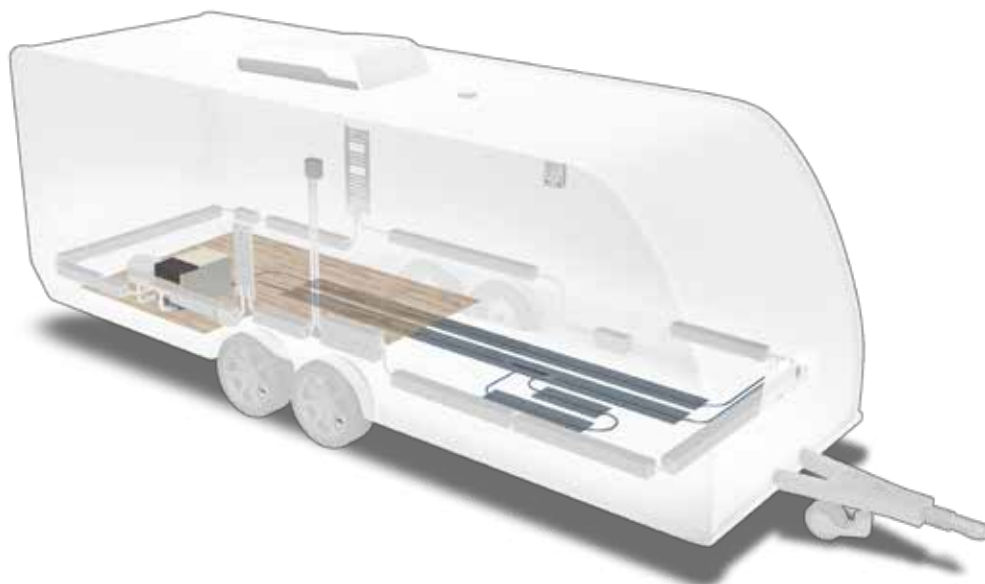
Accessories

Cover with four hooks for e.g. towels.

Part no. 1900957 White.
Part no. 1900958 Silver.



Underfloor heating



Underfloor heating

Underfloor heating system, consisting of "PE-X,-aluminium-, PE-X" heat pipe, Ø 12 x 2 mm, which is flexible and easy to lay in the heating plates.

The thin aluminium heating plates, only 0.3 mm, are perforated so that glue can penetrate through resulting in better adhesion to the surface material.

Shut-off cock 1500202 is used for easy control of the flow to the underfloor heating.

There is a special shunt package available for more advanced control.



Shunt package

Using the shunt package the floor heating is run as a separate unit with its own thermostat and circulation pump, where the outgoing temperature of the fluid is controlled. If the floor heating is run as a separate circuit, which is also temperature controlled (fluid temp.), the flow will always be constant, the temperature of the floor surface more even and the convector circuit "undisturbed".

When the convector circuit is not affected the heat output becomes more even and the flow is always constant. Besides, the user of the vehicle can determine the floor temperature to suit their requirements, regardless of the value set on the boiler's thermostat. The boiler and convector circuit need to be converted! .

Part no. 1900250

Technical data

Dimensions: B 300 x H 148 x D 258 mm.

Power consumption: 0,25 - 1,9 A.

Connection: Ø 16 and Ø 22 mm.

Weight: 2,0 kg.



Floor plate

Floor plate of aluminium for Ø 12 pipe.

Part no. 1500300 1000 x 180 x 0.3 mm.

Part no. 1500305 1000 x 315 x 0.3 mm.



Pipe

Floor heating pipe Ø 12 mm. "PE-X - aluminium - PE-X".
100 m/pack.

Part no. 1500100



Shut-off cock

Shut-off cock for floor heating system for \varnothing 12 mm pipe.
50 pcs/pack.
Part no. 1500202



Coupling

Straight coupling for \varnothing 12 mm pipe to coupling 1500201.
 \varnothing 12 - 15 mm. 10 pcs/pack.
Part no. 1500200



Coupling

Straight coupling \varnothing 12 - 16 mm. 10 pcs/pack.
Part no. 1500215



Coupling

Straight coupling for connection of the floor heating system to the central heating system. \varnothing 22 - 15 mm. 10 pcs/pack.
Part no. 1500201



Union coupling

Straight union coupling for \varnothing 12 mm pipe. 10 pcs/pack.
Part no. 1500203



Elbow coupling

Elbow coupling for \varnothing 12 mm pipe. 10 pcs/pack.
Part no. 1500204



Locking clip

Locking clip for couplings. 100 pcs/pack.
Part no. 1500210 12 mm.
Part no. 1500211 15 mm.



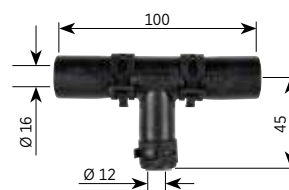
Rubber Hose

Rubber Hose EPDM.
Part no. 1900043 11,5 x 3,0 mm. 130 m / package.
Part no. 1900044 15,5 x 3,0 mm. 90 m / package.



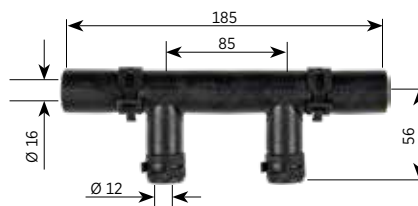
Rubber joint

Rubber joint \varnothing 16 mm - \varnothing 12 mm. Length 100 mm.
With mounted band clips.
Part no. 1916219

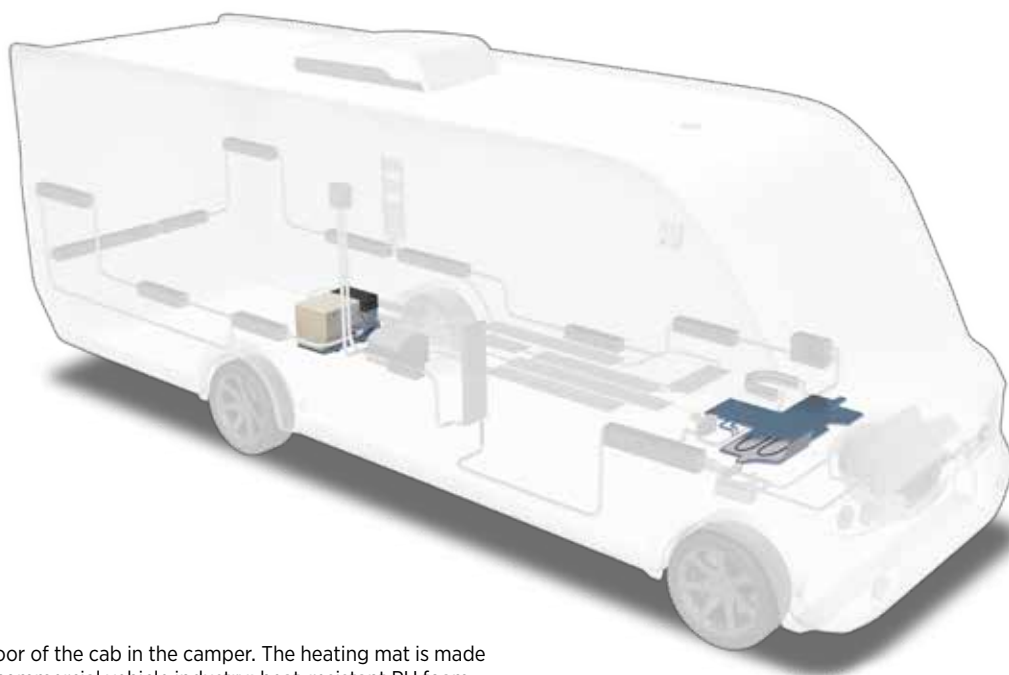


Rubber joint

Rubber joint \varnothing 16 mm - \varnothing 12 mm. Length 185 mm.
With mounted band clips.
Part no. 1916221



Heating mats



Heating mat

Heating mat for the floor of the cab in the camper. The heating mat is made of materials from the commercial vehicle industry: heat-resistant PU foam, temperature safe to 90 °C and water repellent. Eyelets for attaching the mat. Ø 12 mm hose connections to convector system.

Heating mat MB Sprinter 2020-

Only available in Left-Hand Drive.

Part no. 1500333



Heating mat MB Sprinter -2019

Only available in Left-Hand Drive.

Part no. 1500330



Heating mat Fiat, Citroen and Peugeot

Only available in Left-Hand Drive.

Part no. 1500332



Heating mat Fiat Serie 8, 2023-

Only available in Left-Hand Drive.

Part.no. 1500334

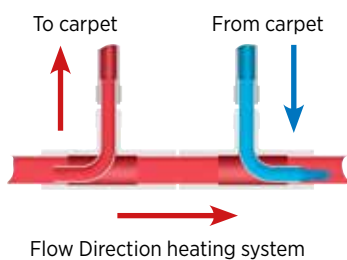


Connection kit

Connection kit for heating mats with special pipes to lead the heat to the mat heating coils.

Ø 22-12 mm connection.

Part no. 1900848



Quick connection kit

Quick connection kit for the heating system for easy take out the carpet for cleaning or storage.

Ø 12 mm connection.

Part no. 1900849



Quick connector

Quick connector "female" to the heating system for easy take out the carpet for cleaning or storage. Connection 3/8" R female.

Part no. 1500380



Quick connector

Quick connector "male" to the heating system for easy take out the carpet for cleaning or storage. Connection 3/8" R female.

Part no. 1500381



Rubber hose

Rubber hose EPDM 15,5 × 3,0 mm. 90 m/pack.

Part no. 1900044



Clip

Band clip for maximum strength and sealing of rubber fastenings.

Part no. 1900052 17 × 12 mm.



Assembly parts

Convactor mounting bracket

Convactor mounting bracket in plastic for Ø 22 mm pipe and convectors (60 x 60 mm).

Part no. 1900042



Convactor mounting bracket

Convactor mounting bracket in plastic for Ø 16 mm pipe and convectors (60 x 60 mm).

Part no. 1916042



Convactor mounting bracket

Convactor mounting bracket in plastic for Ø 16 mm pipe and convectors (30 x 60 mm).

Part no. 1936042



Convactor mounting bracket

Convactor mounting bracket in aluminium for pipe and convectors (60 x 60 mm).

Part no. 1900146 Ø 22 mm

Part no. 1916146 Ø 16 mm



Support for convectors

Centre support for long convectors (60 x 60 mm).

Part no. 1900147 Ø 22 mm

Part no. 1916147 Ø 16 mm



Convactor retraining bracket

Convactor retraining bracket in aluzinc for convector (60 x 60 mm) and convector protector.

Part no. 1900126



Half clamp

Half clamp in stainless steel for Ø 22 mm pipe. 100 pcs/pack.

Part no. 1900114



Bracket

Bracket for rubber hose. 500 pcs/pack.

Part no. 1900127



Clip

Band clip for maximum strength and sealing of rubber fastenings and hose.

Part.no.	Nominal diameter	Max closed diameter	Min function diameter	Max open diameter	Quantity in package
1900184	16 mm	13,0 mm	15,7 mm	17,5 mm	-
1900052	17 mm	15,6 mm	16,3 mm	18,5 mm	2000
1900258	18 mm	16,0 mm	17,3 mm	19,0 mm	1650
1900051	21 mm	19,4 mm	20,3 mm	22,5 mm	1200
1900225	22 mm	20,5 mm	21,3 mm	24,2 mm	900
1900180	25 mm	23,5 mm	24,0 mm	26,8 mm	750
1900177	27 mm	25,2 mm	26,0 mm	29,2 mm	800
1900176	29 mm	27,0 mm	28,0 mm	31,5 mm	700



Super Heavy Duty Pliers

Special super heavy duty pliers with locking for band clip.

Part no. 1900178



Sealing compound

Loctite 5923 liquid elastic sealing compound. Is used on such things as joints between rubber connections and pipes.

Volume 117 ml.

Part no. 1900174



Air bleed extension

Air bleed extension of the venting screw. 1/8" R. Length 300 mm. Only fits 1900515, 1900545, 1900006 and 1900520.

Part no. 1800300



Air bleed

Part no. 1900204 1/8" R.

Part no. 1900277 Ø 12 mm.



Hose pinch pliers

Pliers with lock. Used for clamping rubber hoses when mounting and dismantling products on heating systems without draining the glycol mixture.

Part no. 1900183



Shut-off valve 12 V

For Ø 16 mm hose.

Art.nr. 1900974



Shut-off valve, 3-way, 12 V

For Ø 22 mm hose.

Art.nr. 4900235



Ball valve

Ball valve tap with connections for hose. Length 110 mm.

Part no. 1900087 Ø 22 mm

Part no. 1916122 Ø 16 mm



3-way valve

3-way valve for bypass in the heating system.

Used, for example, for heating in the motor home's garage section. 3 x 1/2" R female.

Part no. 1900109



Nipple

Brass nipple for 3-way valve 1900109.

Ø 22 - 1/2" R male.

Part no. 2750303



Nipple

Brass nipple for 3-way valve 1900109.

Ø 16 - 1/2" R male.

Part no. 1916121



Nipple

Nipple for Ø 22 mm hose.

3/4" R male.

Part no. 1900104



Thermostatic bypass two zone comfort

Alde's temperature control allows you to adjust the temperature in a second area, giving two different heating zones in the vehicle. A second thermostat regulates the temperature of the selected area, such as a bedroom, toilet or garage.

This is recommended for larger vehicles. Installation is normally carried out by the vehicle manufacturer, but the temperature control can also be retro-fitted.

Part no. 1900275 Ø 22 mm

Part no. 1916275 Ø 16 mm

Technical data

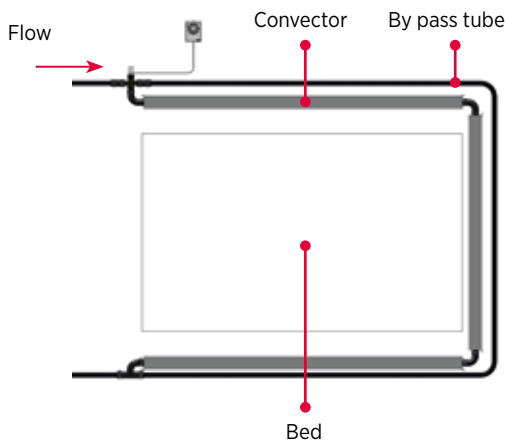
Max storage temperature: 50 °C.

Length of capillary tube: 2 + 2 m.

Material: Polyamid.

Measurement sensor: 24 mm.

Weight: 280 g.



Aluminum pipe

Part no. 1900301 Ø 22mm. Length 5 m.

Part no. 7833165 Ø 16mm. Length 5 m.

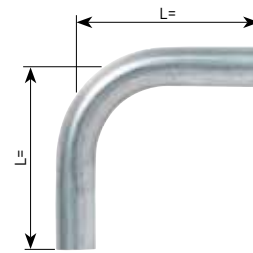


Pipe bend

Pipe bend 90° in aluminum. Ø 22 mm.

Part no. 1900164 L= 100 mm.

Part no. 1900165 L= 500 mm.



Pipe with non-return valve

For controlling direction of flow and preventing auto-circulation. Ø 22 mm.

Part no. 1900875 L= 60 mm.

Part no. 1900870 L= 90 mm.



Stub

Connector pipe in plastic. 25 pcs/pack. VPE 25 Stück.

Part no. 1900119 Ø 22 mm

Part no. 1916101 Ø 16 mm



Rubber hose

Rubber hose EPDM 21,4 x 4,3 mm. Per metre. 25 m/pack.
Part no. 1900002



Rubber hose

Rubber hose for slide-out walls.
EPDM 22 x 4,3 mm. Length 1 m.
Part no. 1900213



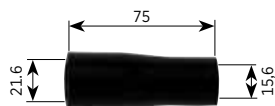
Blanking cap

Blanking cap. EPDM 21,4 x 4,3 mm.
Part no. 1900030



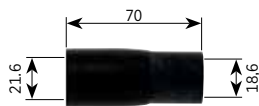
Hose reduction

Hose reduction. EPDM 15,6 > 21,6 x 4,2 mm.
Part no. 0714871



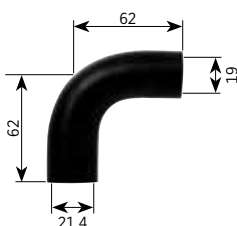
Hose reduction

Hose reduction. EPDM 18,6 > 21,6 x 4,15 mm. 25 pcs/pack.
Part no. 1900540
Part no. 1900541 With mounted band clips.



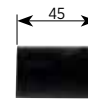
Hose reduction

Rubber elbow 90° with reduction 19 > 21,4 x 4,3 mm. EPDM.
25 pcs/pack.
Part no. 3000509
Part no. 1900531 With mounted band clips.



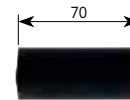
Rubber joint

Rubber joint EPDM 21,4 x 4,3 mm. 25 pcs/pack.
Part no. 1900113



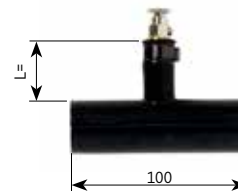
Rubber joint

Rubber joint EPDM 21,4 x 4,3 mm. 25 pcs/pack.
Part no. 1900112
Part no. 1900528 With mounted band clips.



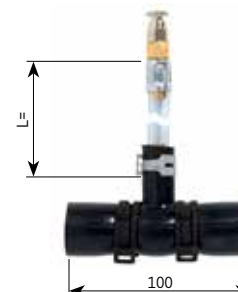
Rubber joint

Rubber joint with bleeder screw.
EPDM 21,4 x 4,3 mm. 25 pcs/pack.
Part no. 1900516 L= 30 mm.
With mounted band clips.
Part no. 1900526 L= 30 mm.
Part no. 1900853 L= 120 mm.



Rubber joint

Rubber joint with bleeder screw.
EPDM 21,4 x 4,3 mm. 25 pcs/pack.
Part no. 1900860 L= 600 mm hose length.
With mounted band clips.
Part no. 1900859 L= 300 mm hose length.
Part no. 1900861 L= 600 mm hose length.

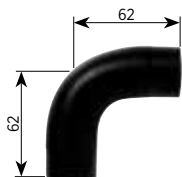


Rubber elbow

Rubber elbow 90°. EPDM 21,4 × 4,3 mm. 25 pcs/pack.

Part no. 1900003

Part no. 1900523 With mounted band clips.

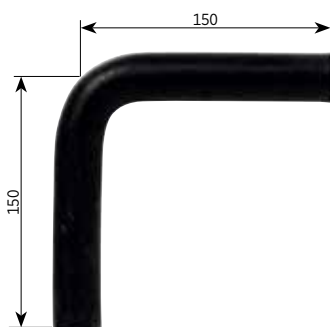


Rubber elbow

Rubber elbow 90°. EPDM 21,4 × 4,3 mm. 25 pcs/pack.

Part no. 1900008

Part no. 1900218 With mounted band clips.

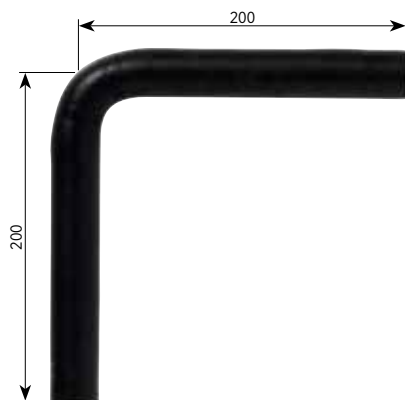


Rubber elbow

Rubber elbow 90°. EPDM 21,4 × 4,3 mm. 25 pcs/pack.

Part no. 1900004

Part no. 1900529 With mounted band clips.



Rubber elbow

Rubber elbow 90° with bleeder screw. EPDM 21,4 × 4,3 mm.

25 pcs/pack.

Part no. 1900007

Part no. 1900527 With mounted band clips.



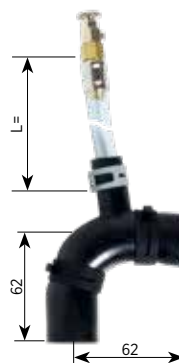
Rubber elbow

Rubber elbow 90° with hose and bleeder screw.

Complete with mounted band clips.

EPDM 21,4 × 4,3 mm. 25 pcs/pack.

Part no. 1900533 L= 300 mm hose length.



Rubber elbow

Rubber elbow 90° with bleeder screw. EPDM 21,4 × 4,3 mm.

25 pcs/pack.

Part no. 1900006

Part no. 1900520 With mounted band clips.



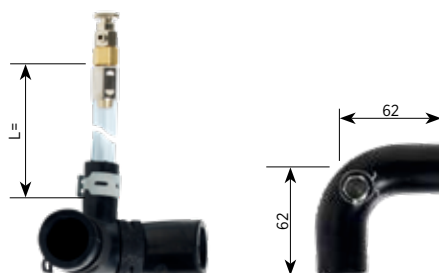
Rubber elbow

Rubber elbow 90° with hose and bleeder screw.

Complete with mounted band clips.

EPDM 21,4 × 4,3 mm. 25 pcs/pack.

Part no. 1900535 L= 300 mm hose length.

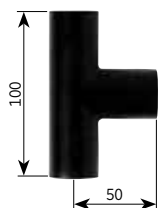


Rubber joint

Rubber joint, T-shaped. EPDM 21,4 × 4,3 mm. 25 pcs/pack.

Part no. 1900504

Part no. 1900524 With mounted band clips.



Rubber joint

Rubber joint, T-shaped with bleeder screw.

EPDM 21,4 × 4,3 mm. 25 pcs/pack.

Part no. 1900509

Part no. 1900517 With mounted band clips.



Rubber joint

Rubber joint, T-shaped with hose and bleeder screw.

Complete with mounted band clips.

EPDM 21,4 × 4,3 mm.

Part no. 1900245 L= 300 mm hose length.

Part no. 1900862 L= 600 mm hose length.



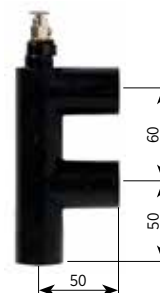
Rubber joint

Rubber joint, F-shaped with bleeder screw.

EPDM 21,4 × 4,3 mm. 25 pcs/pack.

Part no. 1900571

Part no. 1900557 With mounted band clips.



Rubber joint

Rubber joint, F-shaped with hose and bleeder screw.

Complete with mounted band clips.

EPDM 21,4 × 4,3 mm.

Part no. 1900247 L= 300 mm hose length.

Part no. 1900965 L= 600 mm hose length.

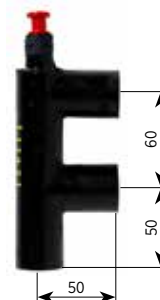


Rubber joint

Rubber joint, F-shaped. EPDM 21,4 × 4,3 mm. 25 pcs/pack.

Part no. 1900532

Part no. 1900573 With mounted band clips.



Rubber joint

Rubber joint, Y-shaped. EPDM 21,4 × 4,3 mm. 25 pcs/pack.

Part no. 1900502

Part no. 1900522 With mounted band clips.



Rubber joint

Rubber joint, Y-shaped with bleeder screw. EPDM 21,4 × 4,3 mm. 25 pcs/pack.

Part no. 1900511

Part no. 1900521 With mounted band clips.



Rubber joint

Rubber joint, Y-shaped with hose and bleeder screw. Complete with mounted band clips.

EPDM 21,4 × 4,3 mm. 25 pcs/pack.

Part no. 1900964 L = 600 mm hose length.

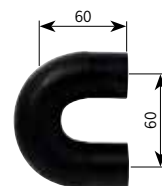


Rubber joint

Rubber joint, U-shaped. EPDM 21,4 × 4,3 mm. 25 pcs/pack.

Part no. 1900505

Part no. 1900525 With mounted band clips.



Rubber joint

Rubber joint, U-shaped with bleeder screw. EPDM 21,4 × 4,3 mm. 25 pcs/pack.

Part no. 1900515

Part no. 1900545 With mounted band clips.



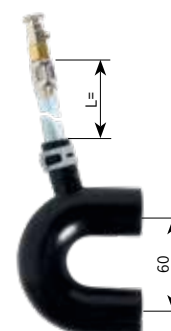
Rubber joint

Rubber joint, U-shaped with hose and bleeder screw.

EPDM 21,4 × 4,3 mm.

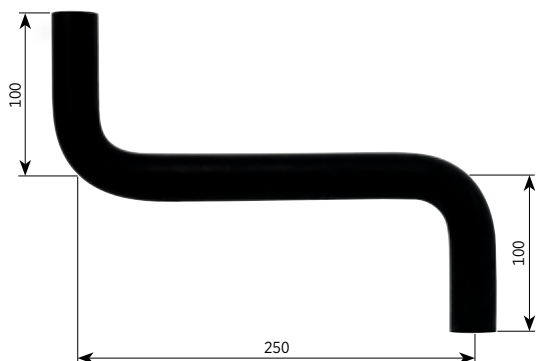
Part no. 1900246 L = 300 mm hose length.

Part no. 1900259 L = 300 mm hose length. With mounted band clips.



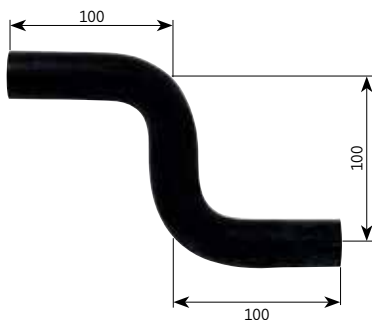
Rubber joint

Rubber joint, S-shaped.
 EPDM 21,4×4,3 mm. 25 pcs/pack.
 Part no. 1900110
 Part no. 1900519 With mounted band clips.



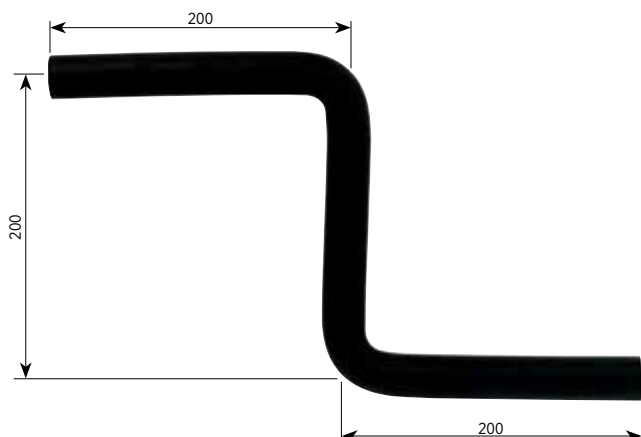
Rubber joint

Rubber joint, S-shaped.
 EPDM 21,4×4,3 mm. 25 pcs/pack.
 Part no. 1900111
 Part no. 1900530 With mounted band clips.



Rubber joint

Rubber joint, S-shaped.
 EPDM 21,4×4,3 mm. 25 pcs/pack.
 Part no. 1900580
 Part no. 1900577 With mounted band clips.



Rubber drain

Rubber joint, T-shaped for drain.
 EPDM 21,4×4,3 mm.
 Part no. 1900512 Rubber connector. 25 pcs/pack.
 Part no. 1900258 Band clip.
 Part no. 3020171 Plug.
 Complete with band clips and plug. 25 pcs/pack.
 Part no. 1900 518



Bottom Fill and Drain Point

Rubber connector with dual fill/drain hoses, for use in bottom-filled systems. Pre-mounted with spring clips and plugs.
 EPDM 21,4×4,3 mm.
 Part no. 1900876



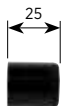
Rubber hose

Rubber hose EPDM 15,5 × 3,0 mm. 90 m/pack.
Part no. 1900044



Blanking cap

Blanking cap. EPDM 15,5 × 3,0 mm.
Part no. 1916002



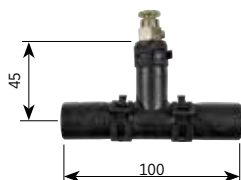
Rubber joint

Rubber joint EPDM 15,5 × 3,0 mm.
With mounted band clips. 25 pcs/pack.
Part no. 1916021



Rubber joint

Rubber joint with bleeder screw. EPDM 15,5 × 3,0 mm.
With mounted band clips. 25 pcs/pack.
Part no. 1916216



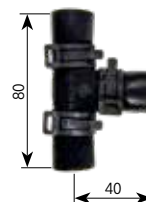
Rubber joint

Rubber joint with bleeder screw. EPDM 15,5 × 3,0 mm.
With mounted band clips. 25 pcs/pack.
Part no. 1916030



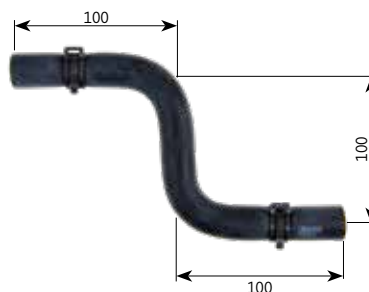
Rubber joint

Rubber joint, T-shaped. EPDM 15,5 × 3,0 mm.
With mounted band clips. 25 pcs/pack.
Part no. 1916027



Rubber joint

Rubber joint, S-shaped. EPDM 15,5 × 3,0 mm.
With mounted band clips. 25 pcs/pack.
Part no. 1916026



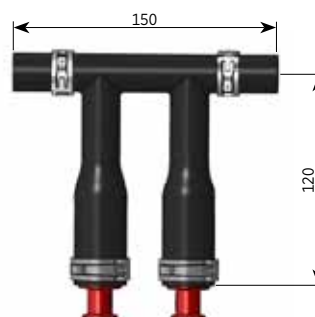
Rubber drain

Rubber joint, T-shaped for drain. EPDM 15,5 × 3,0 mm.
With mounted band clips. 25 pcs/pack.
Part no. 1916028



Bottom Fill and Drain Point

Rubber connector with dual fill/drain hoses, for use in bottom-filled systems. Pre-mounted with spring clips and plugs.
EPDM 15,5 × 3,0 mm. 25 pcs/pack.
Part no. 1916231



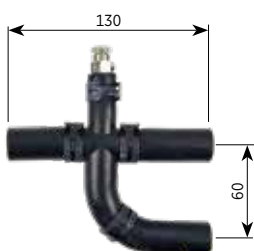
Rubber joint

Rubber joint, Y-shaped. EPDM 15,5 × 3,0 mm.
With mounted band clips. 25 pcs/pack.
Part no. 1916212



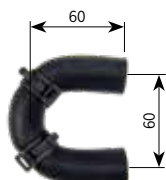
Rubber joint

Rubber joint, Y-shaped with bleeder screw. EPDM 15,5 × 3,0 mm. With mounted band clips. 25 pcs/pack.
Part no. 1916214



Rubber joint

Rubber joint, U-shaped. EPDM 15,5 × 3,0 mm.
With mounted band clips. 25 pcs/pack.
Part no. 1916211



Rubber joint

Rubber joint, U-shaped with bleeder screw. EPDM 15,5 × 3,0 mm. With mounted band clips. 25 pcs/pack.
Part no. 1916213



Rubber joint

Rubber joint, F-shaped. EPDM 15,5 × 3,0 mm.
With mounted band clips. 25 pcs/pack.
Part no. 1916029



Rubber joint

Rubber joint, F-shaped with bleeder screw. EPDM 15,5 × 3,0 mm. With mounted band clips. 25 pcs/pack.
Part no. 1916210



Rubber joint

Rubber joint, F-shaped with hose and bleeder screw. EPDM 15,5 × 3,0 mm. Complete with mounted band clips. 25 pcs/pack.
Part no. 1916247 L= 300 mm hose length.
Part no. 1916965 L= 600 mm hose length.



Rubber elbow

Rubber elbow 90°. EPDM 15,5 × 3,0 mm.
With mounted band clips. 25 pcs/pack.
Part no. 1916023



Rubber elbow

Rubber elbow 90°. EPDM 15,5 × 3,0 mm.
With mounted band clips. 25 pcs/pack.
Part no. 1916025



Rubber elbow

Rubber elbow 90°. EPDM 15,5 × 3,0 mm.
With mounted band clips. 25 pcs/pack.
Part no. 1916215



Rubber elbow

Rubber elbow 90° with bleeder screw. EPDM 15,5 × 3,0 mm.
With mounted band clips. 25 pcs/pack.
Part no. 1916024



Rubber elbow

Rubber elbow 90° with hose and bleeder screw. EPDM 15,5 × 3,0 mm.
With mounted band clips. 25 pcs/pack.
Part no. 1916245 L= 300 mm hose length.
Part no. 1916862 L= 600 mm hose length.



Rubber elbow

Rubber elbow 90° with bleeder screw. EPDM 15,5 × 3,0 mm.
With mounted band clips. 25 pcs/pack.
Part no. 1916220



Alde Premium G13 Antifreeze

Premixed and ready to use ethylene glycol antifreeze, specially formulated for Alde heating systems and containing silicated OAT. VAG G13 Spec. Protects to -37°C, with 5 year corrosion protection.

Only available in boxed quantities.

Part no. 4070120 1 lt. 12 pcs/pack.

Part no. 4070121 4 lt. 2 pcs/pack.

Part no. 4070123 25 lt.

Part no. 4070122 200 lt.



Alde Service Pump

The Alde service pump is an unbeatable aid for filling Alde heating systems. The unit allows the operator to quickly fill and remove air from even the largest heating system in minutes. It is an essential tool for service centres and dealers working with Alde systems, as it also allows for quick and easy replacement of the glycol fluid.

Not for use with bottom-filled systems.

Part no. 1900811 Service pump 5 m reach.

Part no. 1900839 Service pump 8 m reach.



Bottom-fill Service Pump

The Alde Bottom-fill Service Pump is an unbeatable piece of equipment when it comes to filling an Alde heating system.

The portable unit allows the operator to quickly fill and bleed even the largest heating system in a matter of minutes.

An important tool for service centres and dealers who work with Alde heating systems, as it also makes quick and easy work of changing the glycol fluid. Only for use with bottom-fill heating systems.

55 liter glycol tank.

Part no. 3020855



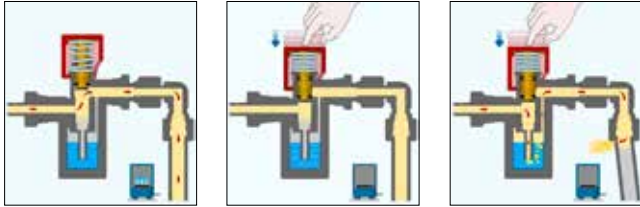
Additional accessories

Leak detectors for LPG systems

A simple and important safety detail that should be installed in all LPG systems. With the leakage tester from Alde tightness is controlled by the red cap is pressed. The leakage test device offers many advantages.

Including glycol fluid and screws.

Size: H 95 x D 30 mm. Weight 0,2 kg.



Part no. 4071807 Ø 8 mm pipe connection IN
Ø 10 mm pipe connection OUT

Part no. 4071808 Ø 10 mm pipe connection IN
Ø 10 mm pipe connection OUT



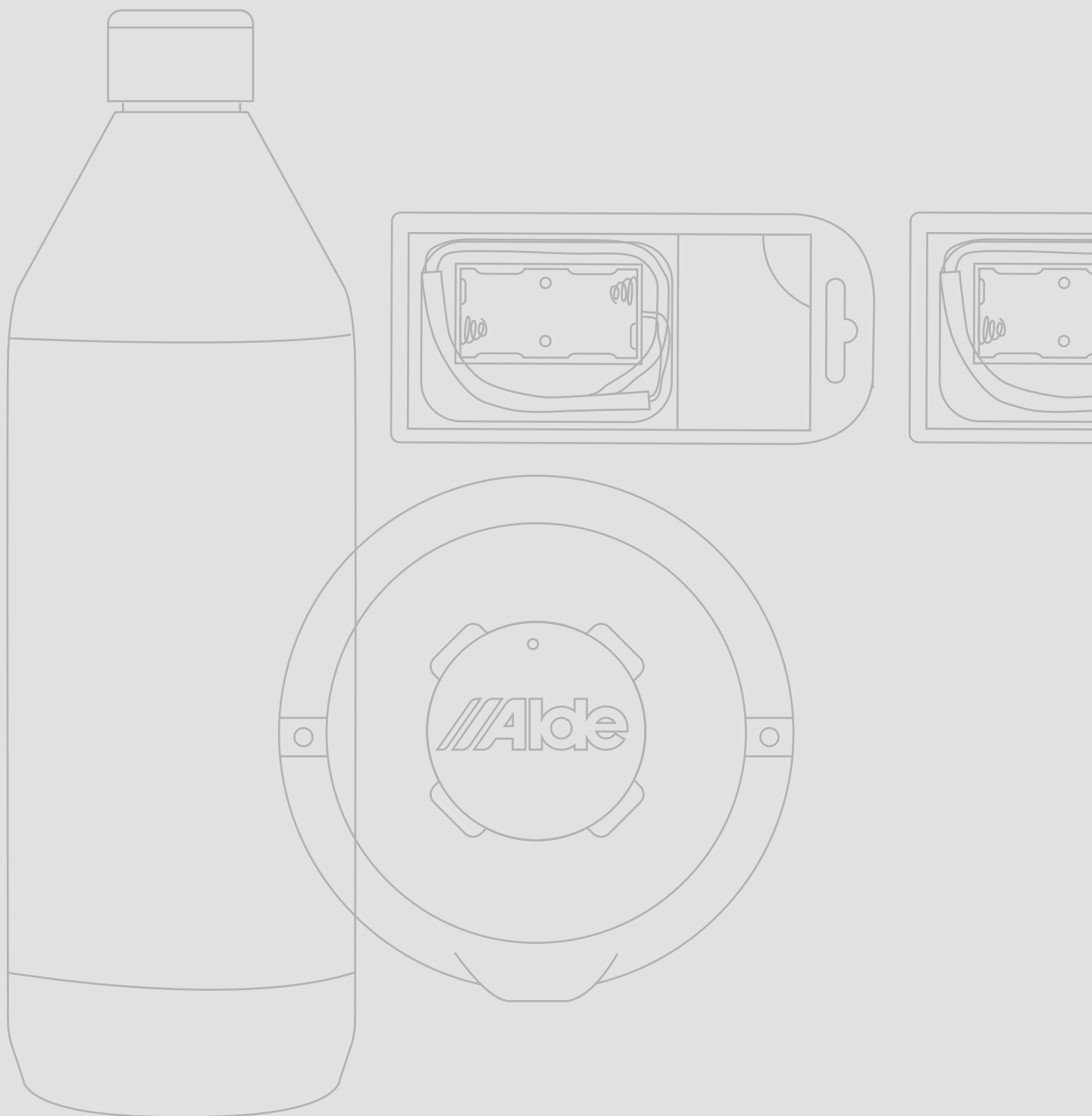
Spare parts for leak detector

Part no. 4071013 Sight glass and glycol fluid 4071013.

Part no. 4070125 Glycol fluid for leak detector 4071.
Contents: 5 ml Propylene glycol.



Retail packaged products



Alde Control Panel Upgrade

For users with an older control panel for Alde Compact 3010, they can now update to the latest model, 3010613.

An exclusive pack for the accessories shelf which sells well.

An installation frame is included for those customers who upgrade from the older LCD panel 3010213. For those upgrading from the black and white control panel 3010413, only the vertical installation dimension of 10 mm needs adjusting.

A new manual and installation instructions are included.

Part no. 3010615



Alde Control Panel Upgrade

For users with an older control panel for Alde Compact 3020 HE, they can now update to the latest model.

The Alde Control Panel is based on the latest technology. Its 3.5" TFT touchscreen makes it easy to navigate through the various functions. The screen resolution ensures a clear picture in both daylight and darkness. The control panel also features a user-friendly interface, with self-explanatory menus in colour.

Not compatible with Alde Compact 3010.

Part no. 3020101



Alde High Altitude Valve

The Alde high altitude valve can be engaged manually when you are at altitudes above 1,000 metres. The high-altitude valve reduces the pressure in the burner to adapt it to the lower air pressure.

Only for Alde Compact 3010 and 3020 HE.

Part no. 4115101



Alde Premium G13 Antifreeze

Premixed and ready to use ethylene glycol antifreeze, specially formulated for Alde heating systems and containing silicated OAT. VAG G13 Spec. Protects to -37°C, with 5 year corrosion protection. Supplied in plastic bottles of 0.2, 1, 4 or 25 litres.

Only available in boxed quantities.

Part no. 4070120 1 lt. 12 pcs/pack.

Part no. 4070121 4 lt. 2 pcs/pack.

Part no. 4070123 25 lt.



Alde Battery backup

Used to retain the control panel settings when the vehicle's main switch is off.
For 2x AA batteries (not included).
Part no. 3010420



For control panels:



3010413



3010613



3020112



3030112

Alde Discrete sensor

Used to site a sensor wherever it is needed, or if the control panel's integrated sensor is affected by another heat source.
Includes 2.0 m cable.
Part no. 3010346



For control panels:



3010213



3010413



3010613



3020112



3030112

Alde Load monitor

Used to limit power consumption of the vehicle. Automatically reduces the output of the electric element in the boiler in stages if the load is too high, e.g. if a coffee maker is switched on.
Cable length 6 m.
In the case of Alde Compact 3020 and 3030/3030 Plus, the load switch is connected to the boiler's circuit board. For other control panels, see below.
Part no. 3010315



For control panels::



3010213



3010413



3010613

Alde Outdoor sensor

Sensor with 2.5 m cable for measuring outdoor temperature. The temperature is indicated on the control panel display.
In the case of Alde Compact 3020 and 3030/3030 Plus, the outdoor sensor is connected to the boiler's circuit board. For other control panels, see below.
Part no. 3010299



For control panels::



3010213



3010413



3010613

Alde Condensate spout

An accessory for every winter camper.
Ice formation on the side of the vehicle in winter is a well-known problem for caravan and motor caravan owners. The Condensate spout just clicks onto the wall flue. It also ensures the vehicle's heating system continues to operate. New flue cap in matching colour included.
Part no. 3010699



Alde Flue cap

Flue caps in different colours for side-fitted flue terminals.
Part no. 3010391 White.
Part no. 3010392 Light grey.
Part no. 3010393 Medium grey.
Part no. 3010394 Dark grey.
Part no. 3010395 Black.



Alde AquaClear

Alde AquaClear is a robust, efficient 12 V water disinfection product for greater water quality security in low pressure systems where the water is filled externally and stored in a tank, with a consequent higher risk of microbiological growth.

This model can be retrofitted to all Alde boilers (we recommend 3030033 for Alde Compact 3030). Also suitable for other water systems where a 12 V fresh water pump is installed.

Disinfection is based on UV-C light through the latest UV-C LED technology and the Alde Water Carbon Filter. The product neutralizes around 99% of the micro-organisms during water flow (up to 4 litres per minute).

Alde AquaClear is connected to the control panel supplied. When the control panel is lit, the filter is active.

Alde AquaClear has a service life of around 70 cubic metres of water, or approx 300 hours of active operation. (With an approximate usage of 20 minutes per day, product lifetime is around 900 days.)

Because the pressure drop across Alde AquaClear is up to 0.9 bar, we recommend a freshwater pump with a pressure of at least 2 bar.

Contains: Water purification unit, clamps, control panel 3 m cable, adapters for 12 mm hose and charcoal filter.

Part no. 3030034



	Eliminates	Reduces	Improves
E-coli bacteria	✓**		
Legionella bacteria	✓**		
Chlorine	✓		
Smell	✓		
Pesticides		✓	
Heavy metals		✓	
Taste			✓

** 99,9% at a water flow <4 l/min

Refill Carbon filter

Refill cartridge, Alde Water Carbon filter for AquaClear.

Art. nr. 3030032



Alde Thermostatic Mixing Valve 3

Thermostatic mixing valve with wall-mounting bracket. For prevention of hot water scalds by mixing hot water with cold before the outlet. Warm water temperature adjustable between 30 to 40 °C. Quick response with emergency cut-off and sediment filters. Highest standard, suitable for nursery and elderly care environments.

Integral Ø 12 mm JG Speedfit connections, no adaptors necessary.

Part no. 3102006

Technical data

Breadth: 101 mm.

Height: 93 mm.

Depth with bracket: 30 mm.

Weight: 0,3 kg.

Maximum working pressure: 5,0 bar.

Minimum working pressure: 0,2 bar.

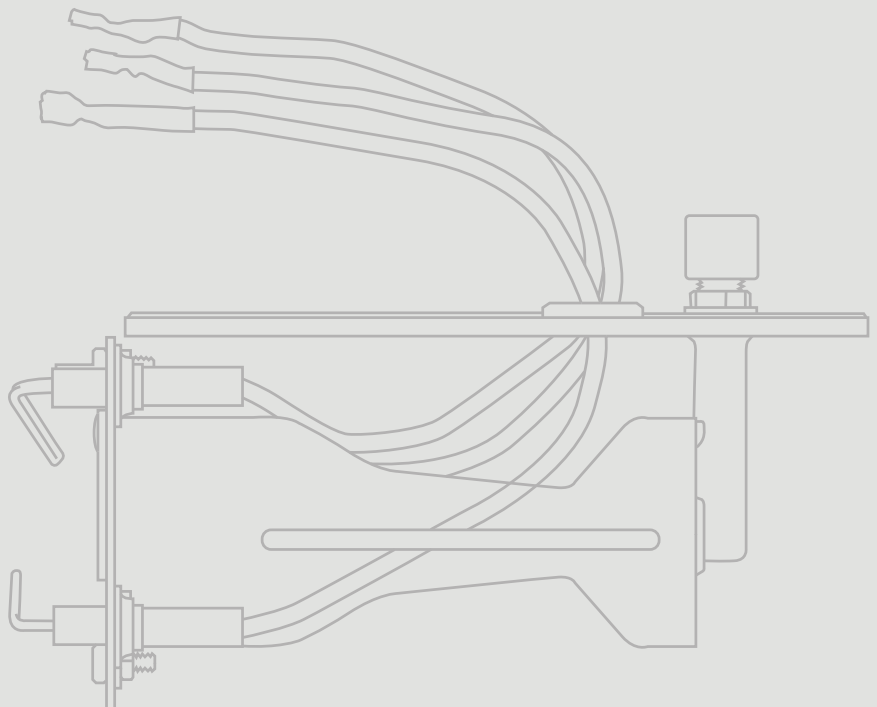
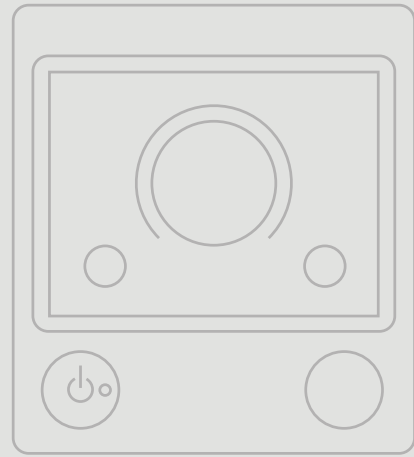
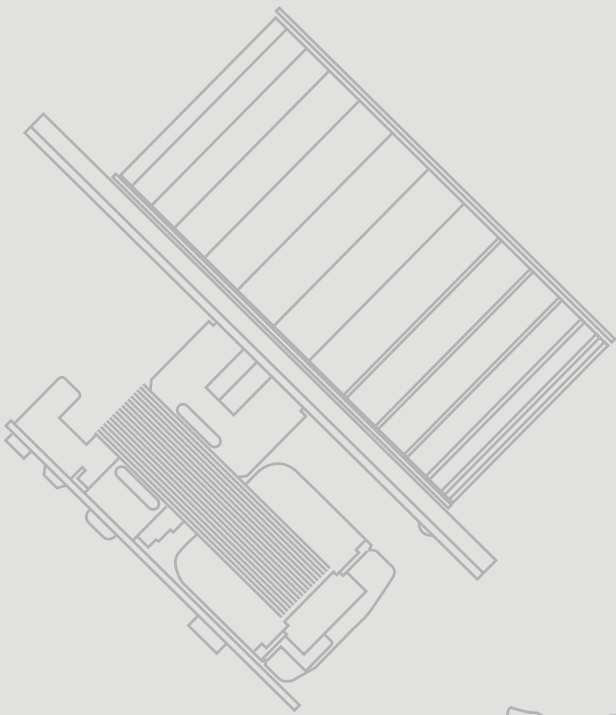
Minimum flow rate 15 mm: 1 l/min.

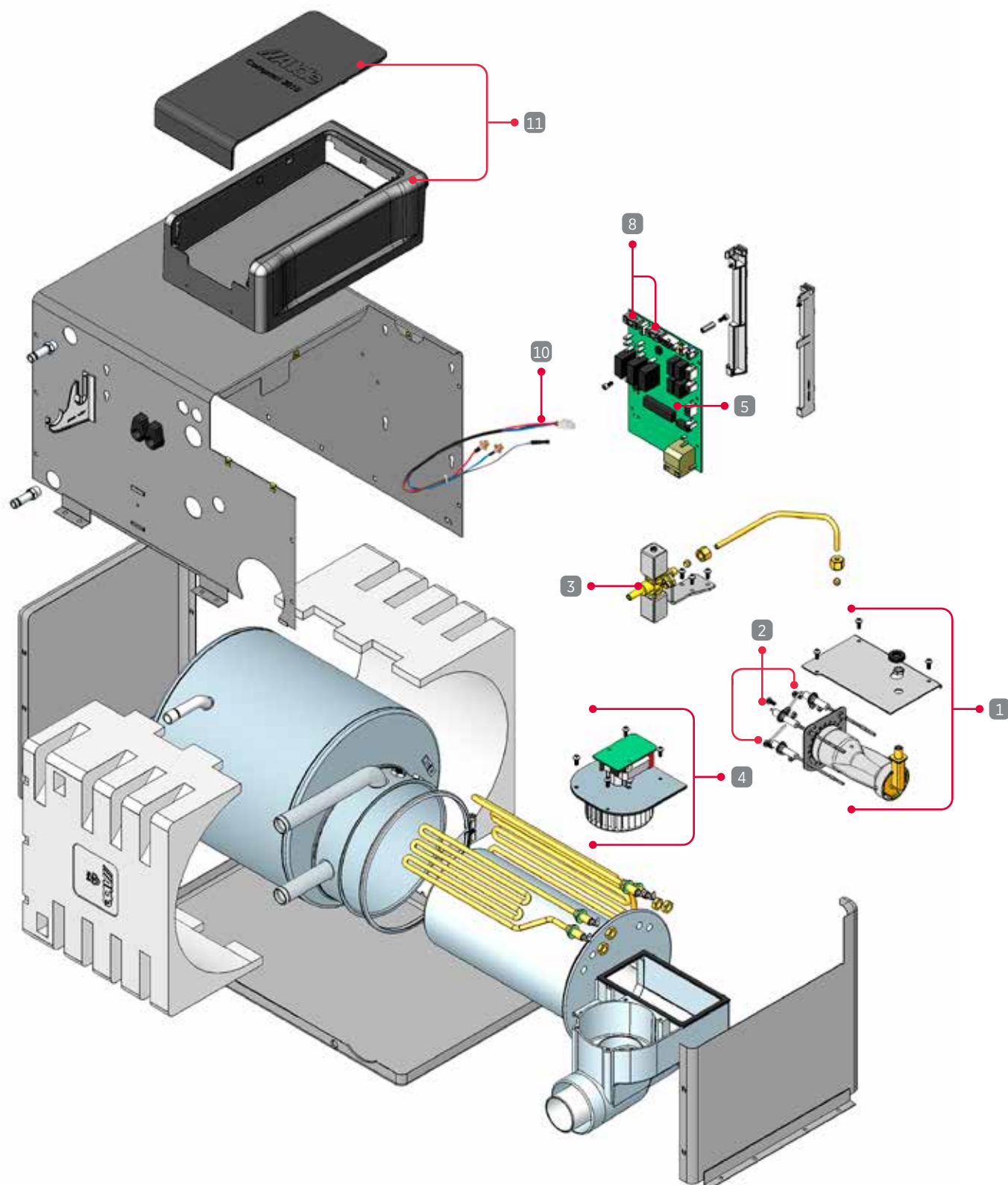
Temperature, hot supply: 55 °C - 65 °C (max 85 °C).

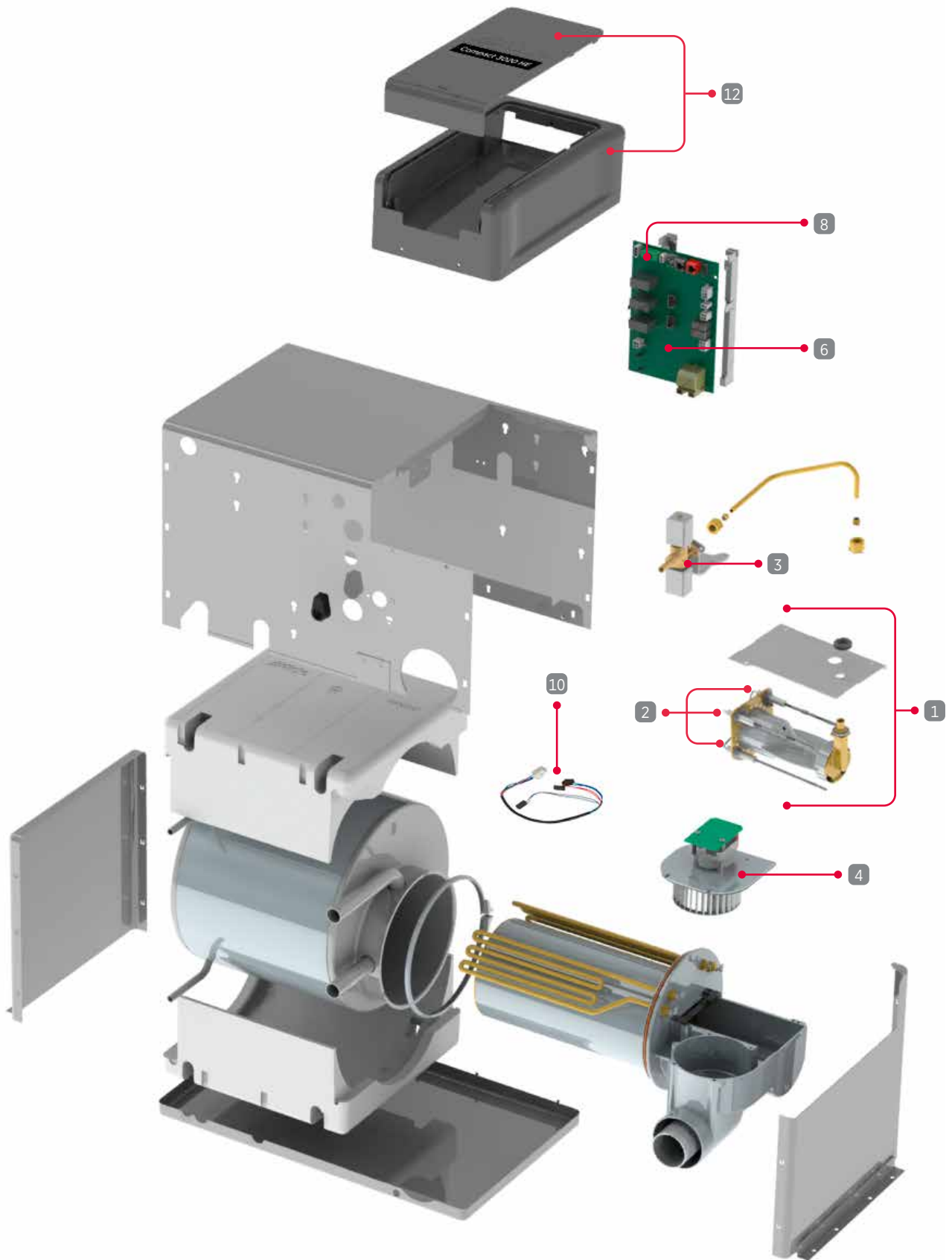
Temperature, cold supply: 5 °C - 25 °C.

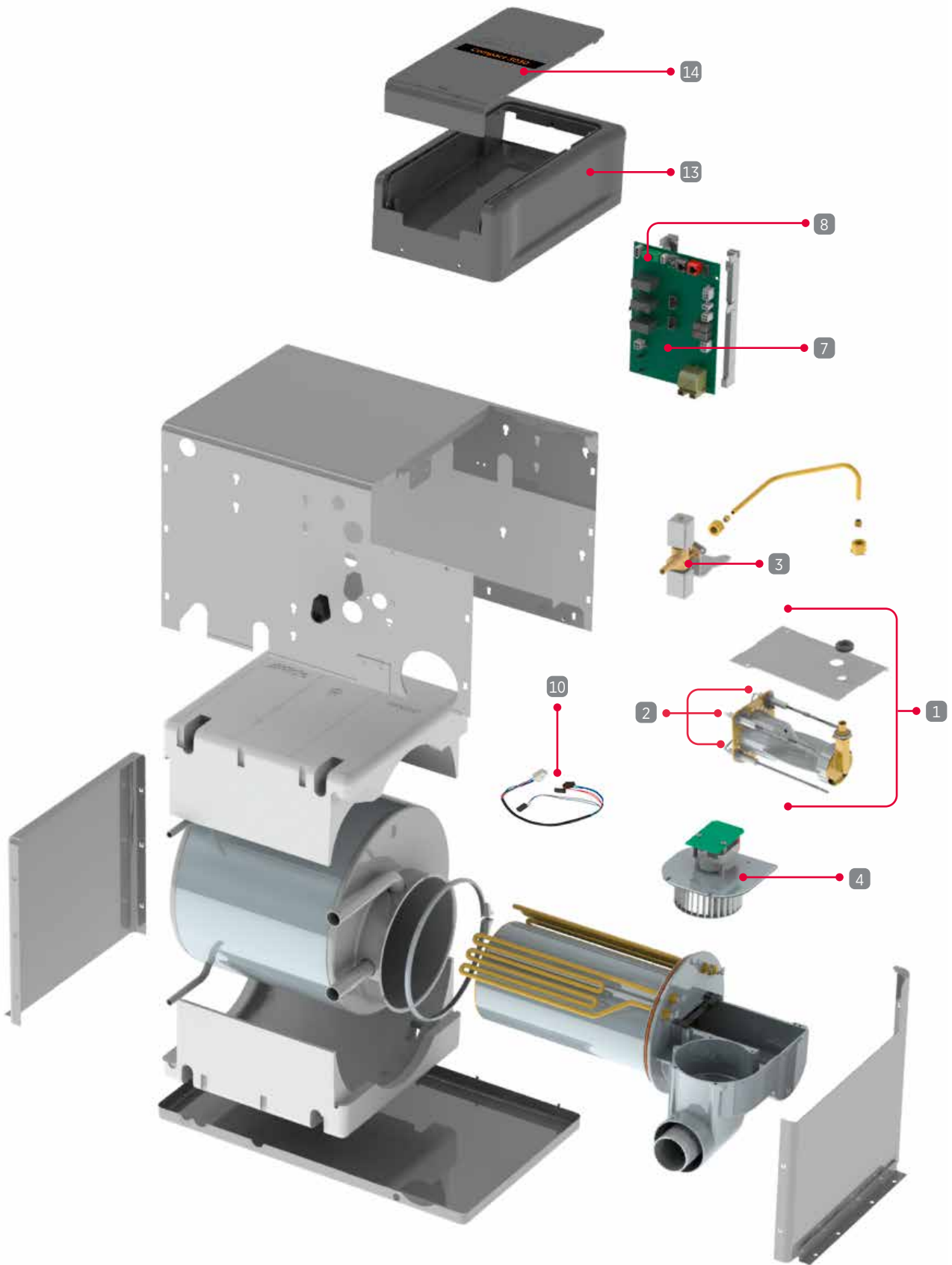


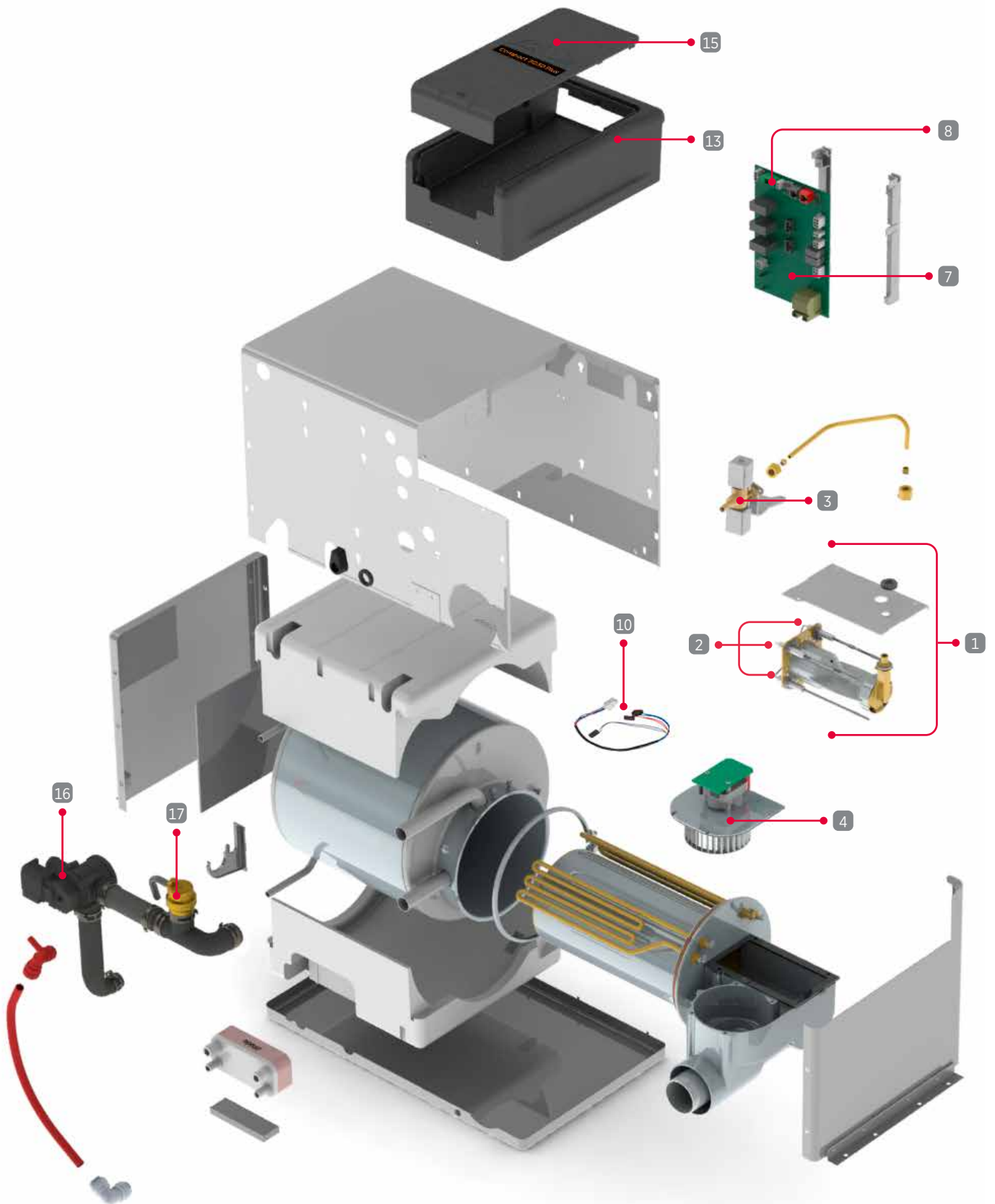
Spare parts











Boiler rebuild Compact 3010

Replacing a frost, corrosion or accident damaged boiler requires a new boiler body (includes internal heat exchanger).
Supplied without internal working parts, connections or fittings.
Supplied with 10-litre water heating.
Only available via Alde Service Care. Not for retail.
Part no. 30109054



Boiler rebuild Compact 3020 HE and 3030

Replacing a frost, corrosion or accident damaged boiler requires a new boiler body (includes internal heat exchanger).
Supplied without internal working parts, connections or fittings.
Supplied with 10-litre water heating.
Only available via Alde Service Care. Not for retail.
Part no. 30309099



Boiler rebuild Compact 3030 Plus

Replacing a frost, corrosion or accident damaged boiler requires a new boiler body (includes internal heat exchanger).
Supplied without internal working parts, connections or fittings.
Supplied with 10-litre water heating.
Only available via Alde Service Care. Not for retail.
Part no. 30309199



Burner

1

Burner, complete with spark plug and sensor.
Fits Compact 3010, 3020 HE, 3030 and 3030 Plus.
Part no. 3010301



Ignition set

2

Ignition set consisting of two spark plugs and sensor.
Fits Compact 3010, 3020 HE, 3030 and 3030 Plus.
Part no. 3010306



Solenoid valve

3

Solenoid valve complete.
Fits Compact 3010, 3020 HE, 3030 and 3030 Plus.
Part no. 3010304



Combustion fan

4

Combustion fan, 9 volts.
Fits Compact 3010, 3020 HE, 3030 and 3030 Plus as well as Compact 3000 with roof-mounted flue.
Part no. 3000452



Circuit board for Compact 3010

Circuit board with ignition transformer for Compact 3010.
Part no. 3010302 for boiler with 2 kW electric element.
Part no. 3010303 for boiler with 3 kW electric element.



Circuit board for Compact 3020 HE

Circuit board with ignition transformer for Compact 3020 HE.
Part no. 3020140



Circuit board for Compact 3030 and 3030 Plus

Circuit board with ignition transformer for Compact 3030 and 3030 Plus.
Part no. 3030140



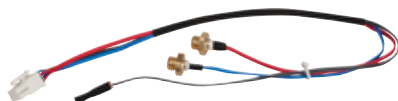
Fuse

Fuse 3.15 A for Circuit board.
Fits Compact 3010, 3020 HE, 3030 and 3030 Plus.
Part no. 3010339



Sensors for Compact 3010

Sensors for thermostat, overheating protection and domestic hot water. Fits Compact 3010.
Part no. 3010305



Sensors for Compact 3020 HE, 3030 and 3030 Plus

Sensors for thermostat, overheating protection and domestic hot water. Fits Compact 3020 HE, 3030 and 3030 Plus.
Part no. 3020039



5

Control panel for Compact 3010

Control Panel with 3.5" TFT touch screen.
The control panel is compatible with all Aldes Compact 3010 boilers.
Part no. 3010613



6

Control panel for Compact 3020 HE

Control Panel with 3.5" TFT touch screen.
Part no. 3020112



7

Control panel for Compact 3030/3030 Plus

Control Panel with 3.5" TFT touch screen.
Part no. 3030112



8

Fascia

Fascia for Control panel 3010613, 3020112 and 3030112.
Part no. 3010616 Silver.
Part no. 3010618 Black.



9

Assembly frame

Used when changing from control panel 3010213 to 3010613 in order to cover the existing aperture. Size: 125 x 100 mm.
Part no. 3010517



10

Interference filter

EMI filter for discrete room sensors where cable is routed alongside 230 V cables. Fitted onto two paired pins in the control panel.
Part no. 3020142



Service hatch for Compact 3010

Service hatch complete with cover for Compact 3010.
Part no. 3010168



Service hatch for Compact 3020 HE

Service hatch complete with cover for Compact 3020 HE.
Part no. 3020042



Service hatch for Compact 3030 and 3030 Plus

Part no. 3030010



Cover on service hatch for Compact 3030

Part no. 3030012



Cover on service hatch for Compact 3030 Plus

Part no. 3030056



11

3-way valve 12 V

3-way valve for Compact 3030 Plus. Ø 22 mm hose connection.
Part no. 4900235



16

Automatic air bleed valve

Automatic air bleed valve with hose.
Part no. 1900542



17

Boiler emergency starter

Is used to force boiler start-up without using the control panel. Adapter cable 3020035 is connected to the printed circuit board and emergency starter 3010218 is connected to the adapter cable. Only emergency cable 3010218 is required for Compact 3010. Does not work with Compact 3030 Plus.

Part no. 3010218 Emergency starter.
Part no. 3020035 Adapter cable.



12

13

14

15

Circulation pump for Compact 3010

Circulation pump 12 V for mounting on Compact 3010.
Five speed with adjustable dial on motor.
Part no. 3010508



Circulation pump for Compact 3010 - Remote controlled

Circulation pump 12 V for mounting on Compact 3010. Connected to control panel to allow remote control of pump speed by PWM.
Five speed 6-15 L/min.
Part no. 3010514 Circulation pump.
Part no. 3010515 Cable. L= 13 m.
Part no. 3010516 Cable. L= 8.5 m.



Circulation pump

Circulation pump 12 V for installation in the expansion tank 3000 420 and 3000 495. With screw plinth.
Power consumption 12 V: 0,2 A.
Part no. 2928433



Lead for 12 V inline circulation pump

Lead to connect boiler and 12 V inline circulation pump.
Plugs into both JP12 and JP10 socket on PCB.
Part no. 3010237



Circuit board

Circuit board for 230 V circulation pump with 12 V control.
Part no. 2750403



Circulation pump for Compact 3020 HE and 3030

Circulation pump 12 V for Compact 3020 HE and 3030.
Five speed with adjustable dial on motor.
Must not be installed on Compact 3030 Plus with a single zone.
Part no. 3010507



Circulation pump for Compact 3030 and 3030 Plus - Remote controlled

Circulation pump 12 V for Alde Compact 3030 and Compact 3030 Plus. Connected to control panel to allow remote control of pump speed by PWM. Five speeds
Part no. 4900241



Circulation pump for Compact 3020 HE and 3030

Circulation pump 12 V for Compact 3020 HE and 3030.
Five speed with adjustable dial on motor.
Must not be installed on Compact 3030 Plus with a single zone.
Part no. 3020049



Circulation pump for Compact 3020 HE, 3030 and 3030 Plus - Remote controlled

Circulation pump 12 V for Compact 3020 HE, 3030 and 3030 Plus. Connected to control panel to allow remote control of pump speed by PWM. Five speeds
Part no. 3020031



Wall flue cap

Cap in different colors for wall flue 3010 170.

- Part no. 3010171 White.
- Part no. 3010374 Light grey.
- Part no. 3010373 Medium grey.
- Part no. 3010371 Dark grey.
- Part no. 3010372 Black.



Domestic cold water connection

Angle 90° for cold water.

- Part no. 3010475 Ø 10 mm hose connection.
- Part no. 3010 496 Ø 12 mm connection John Guest.



Domestic hot water connection

Angle with built-in non-return valve which allows air in when the heater is drained. For hot water. Incl. 0.5 m hose for air in.

- Part no. 3010471 Ø 10 mm hose connection.
- Part no. 3010571 Ø 12 mm connection John Guest.



Domestic cold water connection

Angle 90° for cold water. Fits Compact 3010 up to series no. 91458.

- Part no. 3000470 Ø 10 mm hose connection.
- Part no. 3000570 Ø 12 mm connection John Guest.



Domestic hot water connection

Angle with built-in non-return valve which allows air in when the heater is drained. For hot water.

- Fits Compact 3010 up to series no. 91458.
- Part no. 3000471 Ø 10 mm hose connection.
- Part no. 3000571 Ø 12 mm connection John Guest.



Cable for programmable control panels

Connection cable between boiler and control panels 3010213/413/613.

- Part no. 3010215 Length 2,5 m.
- Part no. 3010216 Length 5,0 m.
- Part no. 3010217 Length 8,5 m.



Cable for manual control panel

Connection cable between boiler and adaptor lead 3010281.

- Part no. 3010277 Length 5,0 m.
- Part no. 3010278 Length 8,5 m.



Adaptor lead for manual control panel

Lead to connect control panel 3010214 to cable 3010277/278. Includes connection for discrete temperature sensor cable.

- Part no. 3010281



Adaptor lead for control panel upgrade

Lead to connect control panels 3010213 and 613 to cable 3010213/613. For upgrading from control panel 3010214.

- Part no. 3010279



Zonal heating sensors

Can be used either with two Discrete sensors or with a Discrete sensor and with the control panel's room sensor. Assembly set with 1 sensor, switch, 12 m cable, junction card and a cable to the switch.

- For control panel 3010213/413/613.
- Part no. 3010435



Cable for LPG interface

For connecting control panels 3010413/613 to comms device 50020-00586 and EisEx defroster 3010428. Length 10 m.

- Part no. 3010419



UVC unit for AquaClear

Part no. 3030031



Refill Carbon filter

Refill cartridge, Alde Water Carbon filter for AquaClear.

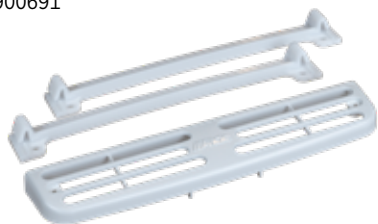
Part no. 3030032



Installation kit for panel radiator

Installation kit with two wall attachments and a white cover.

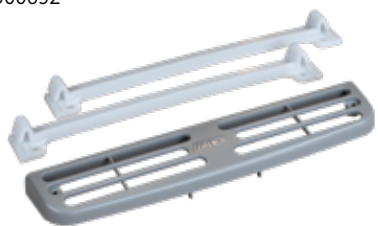
Part no. 1900691



Installation kit for panel radiators

Installation kit with two wall attachments and a grey cover.

Part no. 1900692



Rubber joint for panel radiators

Part no. 1900594



Circulation pump Alde Flow

Circulation pump 12 V for Alde Flow.

The pump motor knob must always be set at 4.

Replaces earlier model.

Part no. 3020827



Circulation pump 12 V

Circulation pump 12 V. Knob on pump motor for setting five different pumping speeds. Ø 22 mm connection.

Part no. 3020310

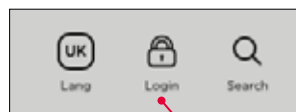


Alde Partner Portal

The Alde Partner Portal is your online media centre.
You must apply for an account to access all the benefits in the portal.
Among the items included in the portal are:

- Product information.
- Training courses.
- Exploded diagrams.
- Troubleshooting guide.
- Service videos.
- Service manuals.

1



2

The 'Account application' form includes the Alde logo, a title, and an introductory paragraph. It contains input fields for 'Name *', 'Email address *', 'Phone number *', and 'Company *'. A 'Customer number (Only for existing customers)' field is also present. A red 'SEND APPLICATION' button is at the bottom, with a link '(Go back to the login screen)' below it.

3

The 'Welcome back!' login form features the Alde logo, a title, and a sub-headline 'Enter your account details to log in'. It includes input fields for 'Email address' and 'Password'. A red 'LOG IN' button is positioned below the fields. At the bottom, there are links for 'Account application' and 'Forgot your password?'.

Alde
Alde Partner Portal

Home

- Alde Service Partner
- Training
- E-learning
- Alde Sales Partner
- Service & Support Guides
- Products
- Manuals
- STEP-files
- Warranty & Claims
- News
- My documents
- Contact us

Latest files

	Panel Van Conversions PDF	Download
	Alde UK Account Application Form 010 PDF	Download
	Alde UK Warranty Guidance 109b PDF	Download
	Alde-Approved Antifreeze Products PDF	Download

Alde
Alde e-learning

Start

Courses

Certifications

FAQ

My account

AA Welcome to Alde e-learning

Courses

Available Completed

	How the Alde boiler works Module 2 On time: ★★★★ Certification not completed		Changing the heating fluid Module 4 On time: ★★★★ Certification not completed
	Alde optional features Module 1 On time: ★★★★ Certification not completed		Alde accessories Module 3 On time: ★★★★ Certification not completed
	Alde TMV3 Module 1 On time: ★★★		Alde Automatic Climate Control Module 5 On time: ★★★★

Alde
Alde Partner Portal

Home

- Alde Service Partner
- Training
- E-learning
- Alde Sales Partner
- Service & Support Guides**
- Products
- Manuals
- STEP-files
- Warranty & Claims
- News
- My documents
- Contact us

Excluded view drawings

Error messages 3020 HE

Error messages 3010

Trouble shooting Flow charts

The basics of glycol

Installation & Service videos

Information videos

FAQ

Installation & Service videos

1. How to fit the Alde load monitor	2. Diagnose "Gas Failure" faults - Alde 3020 EU Spec	3. Diagnose inert boiler faults - Alde 3020 EU Spec

Alde
Alde Partner Portal

Home

- Alde Service Partner
- Training
- E-learning
- Alde Sales Partner
- Service & Support Guides**
- Products
- Manuals
- STEP-files
- Warranty & Claims
- News
- My documents
- Contact us

Excluded view drawings

Error messages 3020 HE

Error messages 3010

Trouble shooting Flow charts

The basics of glycol

Installation & Service videos

Information videos

FAQ

Error messages 3020 HE

When an error message is displayed on the Control Panel, the LED on the On / Off button changes to red.

If an error is not reset

Disconnect 12 V to the boiler by disconnecting the cable that supplies the boiler from the boiler circuit board. This cable is located on the top left of the circuit board. Reconnect 12 V again by reconnecting the cable.

If a fault is not restored by disconnecting and reconnecting 12 V to the boiler, also disconnect 230 V and then 12 V again. Then reconnect 230 V and 12 V

Overheat blue fail	+
Overheat red fail	+
Overheat PCB	+
Gas failure	+
Fan failure	+
Low battery	+



Alde International (UK) Ltd
Huxley Close, Park Farm South
Wellingborough Northants NN8 6AB
Phone: +44 (0)1933 677765
info@alde.co.uk • www.alde.co.uk

Alde International Systems AB
Wrangels Allé 90 • 291 75 Färlöv • Sweden
Phone: +46 (0)44 71270
info@alde.se • www.alde.se