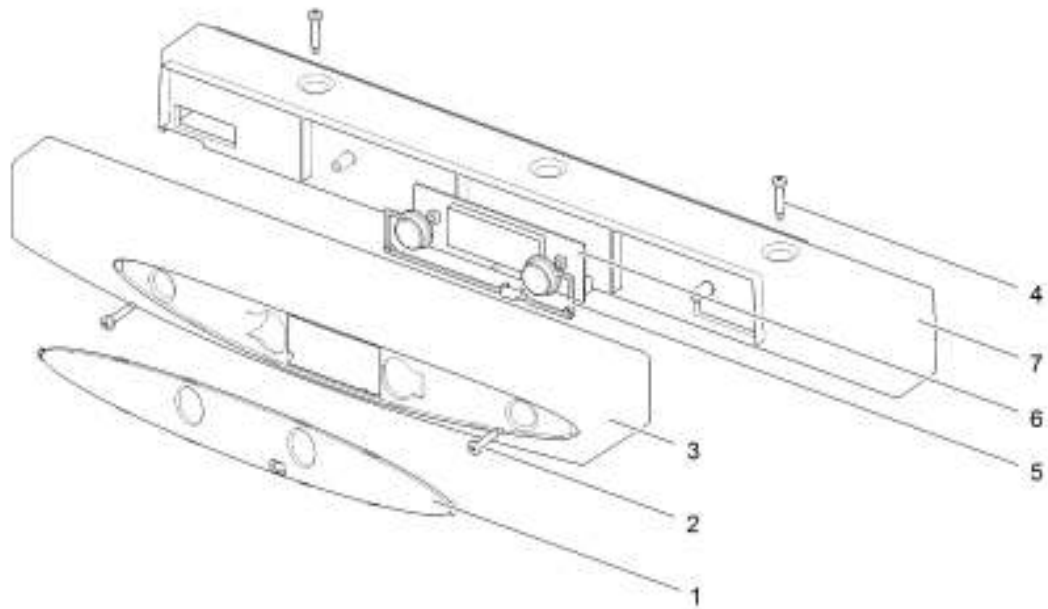
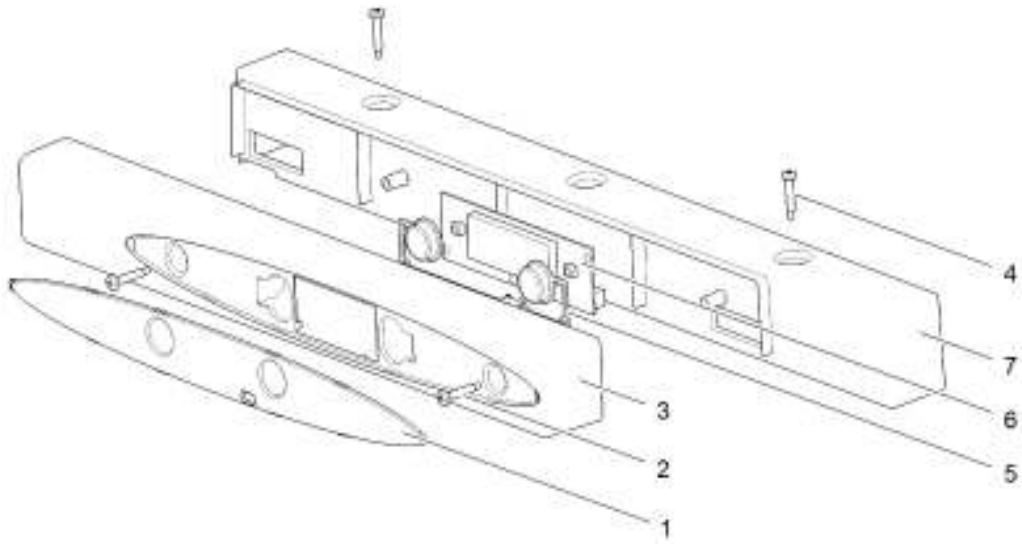


22*



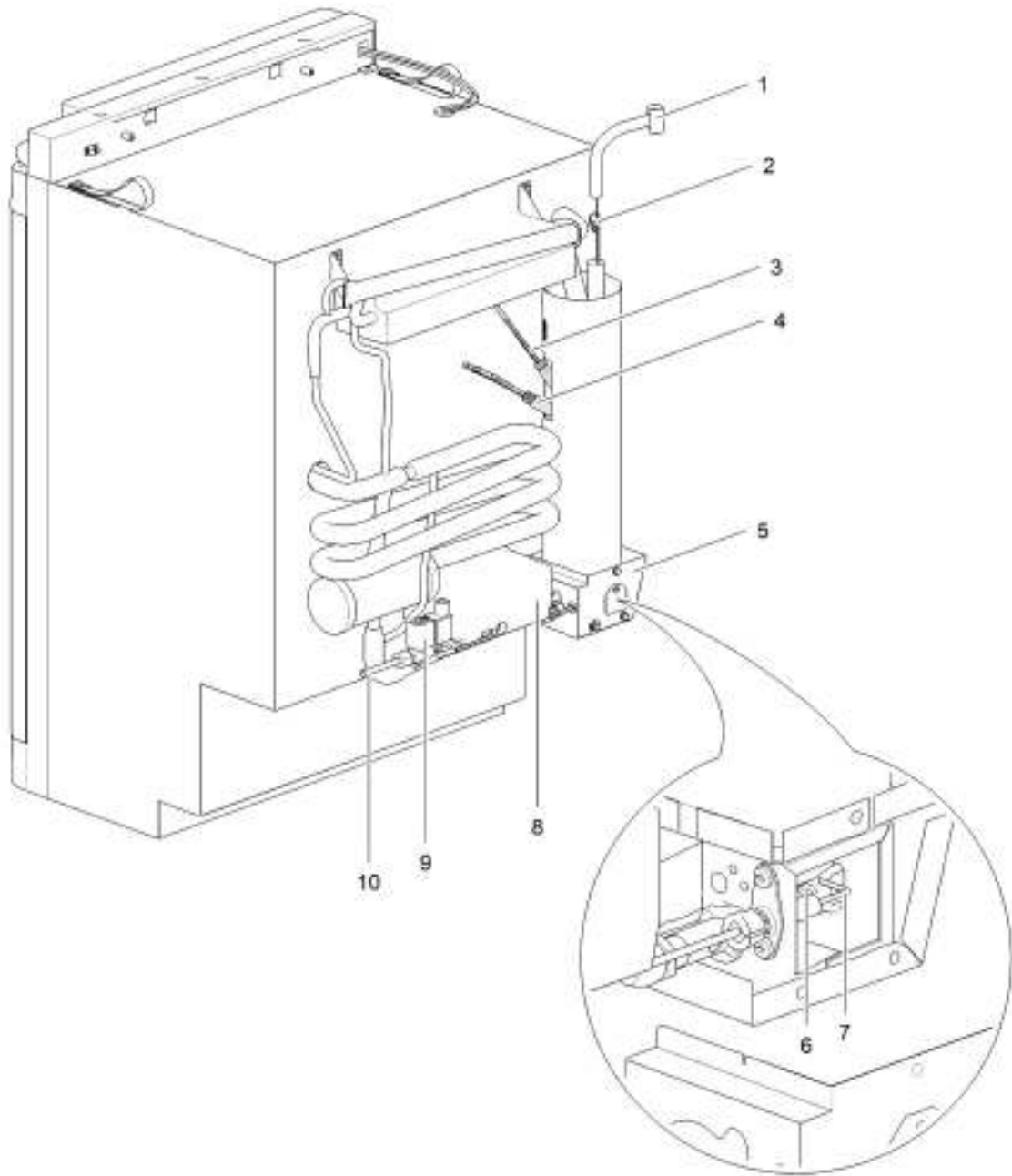
| | | Spare part number | Spare part number | Colours available |
|----|------------------------------|-------------------------|-------------------|-------------------|
| 1 | Latch | | 626985 | 07, 27, 136 |
| 2 | Storage strap | 626986 | | 27 |
| 3 | Strike plate | | | |
| 4 | Pocket cover | | | |
| 5 | Freezer door | | 690852 | |
| | Hinge freezer door (2x) | 624680 | | 08 |
| 6 | Hinge plate | | | |
| 7 | Interior light switch | 623061 | | |
| 8 | Cap (2x) | 623622 | | 08 |
| 9 | Control panel | <i>Refer to page 22</i> | | |
| 10 | Mounting Box | <i>Refer to page 22</i> | | |
| 11 | Ice cube tray | | | |
| 12 | Interior light bulb | 624003 | | |
| 13 | Interior light cover | 624002 | | |
| 14 | Cap freezer bolt (12x) | 624479 | | 08 |
| 15 | Fin | | | |
| 16 | Fin clip (3x) | 623059 | | |
| 17 | Thermistor | 623077 | | |
| 18 | Shelf 455 x 163.9 | 623048 | | 08 |
| 19 | Clip shelf small | 623626 | | 08 |
| 20 | Shelf food retainer | 624456 | | 08 |
| 21 | Hinge pin | | | |
| 22 | Identification label * | | | |
| 23 | Shelf 455 x 118.2 | 623047 | | 08 |
| 24 | Clip shelf small | 623626 | | 08 |
| 25 | Shelf tray insert 403 x 97.9 | 623634 | | 12 |
| 26 | Hinge pin | | | |
| 27 | Flip top cover | 623615 | | |
| 28 | Vegetable bin | 623617 | | |
| 29 | Latch bottom | 624001 | | 27 |
| 30 | Hinge plate | | | |
| 31 | Door bin | 690818 | | 08 |
| 32 | Bottle retainer | 623042 | | 12 |
| 33 | Door bin | 690817 | | 08 |

* With a request for information or service, always provide the serial number of the refrigerator. The serial number is the code below the barcode on the identification label.



| | | Spare part number | Spare part number | Colours available |
|---|-------------------|-------------------|-------------------|-------------------|
| 1 | Overlay | | | |
| | Electric version | 626975 | | |
| | Automatic version | 631737 | | |
| 2 | Screw | | | |
| 3 | Control panel | | | |
| | Flat | 626974 | | 07, 27 |
| | Curved | 626973 | | 07, 27 |
| 4 | Screw | | | |
| 5 | Push buttons | | | |
| 6 | Display board LCD | 626972 | | |
| 7 | Mounting box* | | | |

* not for N145, N150 and N175



LE1097_1000MST_A112-back_2013-V01

| | | Spare part number | Spare part number | Colours available |
|----|---------------------------|-------------------|-------------------|-------------------|
| 1 | Flue exhaust | | | |
| | Short | 627008 | | |
| | Long | 624480 | | |
| 2 | Heat diffuser | | | |
| 3 | Heater AC | | | |
| | < 12/05/2009 (E132K.....) | 626994 | | |
| | ≥ 12/05/2009 (E132K.....) | 633575 | | |
| 4 | Heater DC | | | |
| | < 12/05/2009 (E132K.....) | 626995 | | |
| | ≥ 12/05/2009 (E132K.....) | 633574 | | |
| 5 | Heater box | | | |
| 6 | Burner assembly | 623019 | | |
| 7 | Spark electrode | 626988 | | |
| 8 | Power control board | | | |
| | Electric | 691136 | | |
| | Automatic | 691137 | | |
| 9 | Gas valve | | | |
| | < 25/09/2006 (E268F.....) | 631249 | | |
| | ≥ 25/09/2006 (E268F.....) | 630440 | | |
| 10 | Gas pipe | | | |