

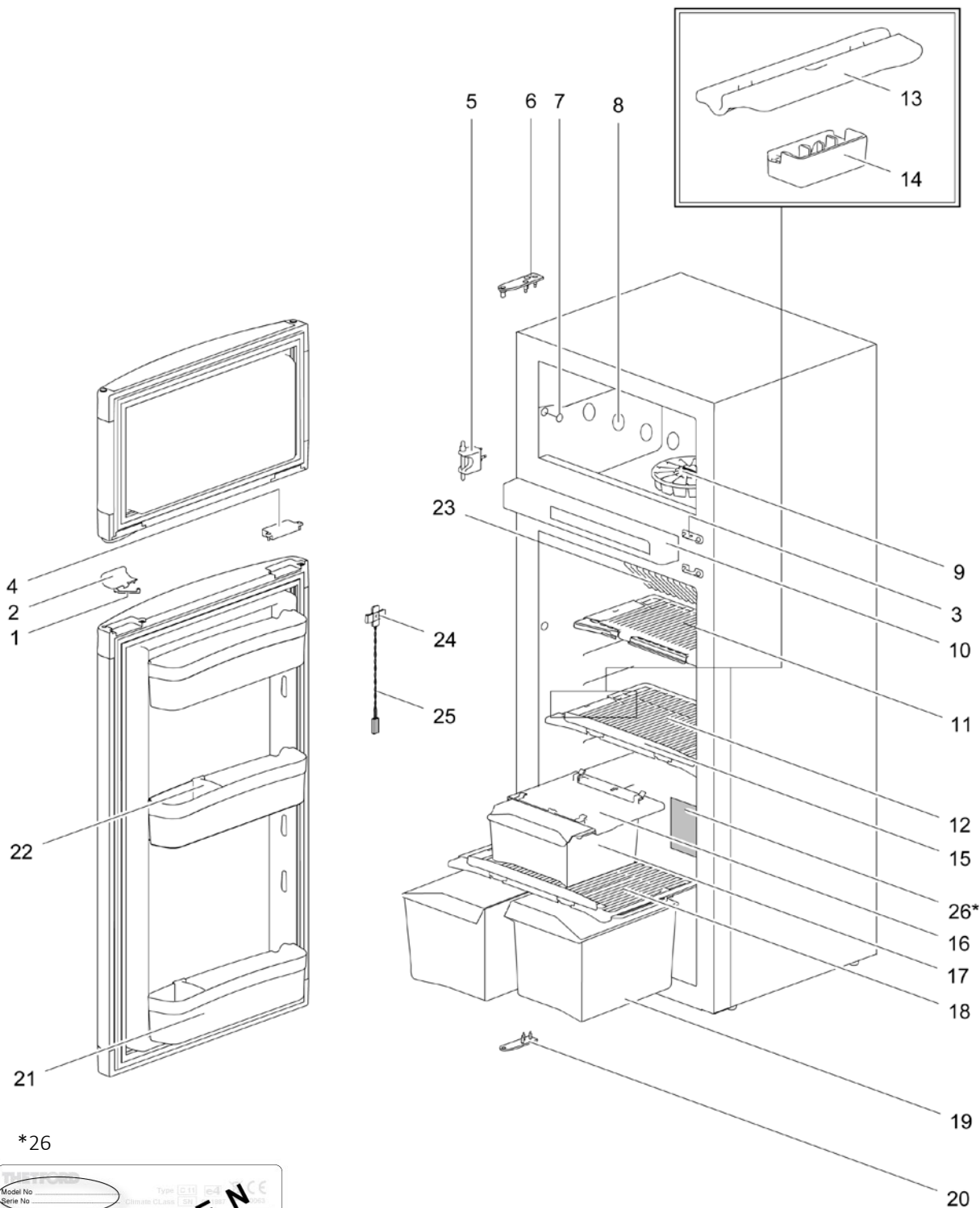
17\*

<b>Model No</b> Type E 11 CE	
<b>Specimen</b>	
Gross Volume Net Volume 108 L Volume (Bottle) Volume (Bottle)	Processor Volume Capacity (Bottle) 28-30/27 ml Volume (Bottle) Volume (Bottle) 30 ml Volume (Bottle)
CE 9993 999297 Part No: 024027	
ABSORBER NH3 = 194.9 g NAZCRO4 = 19.1 g g max = 21 bar	
CFC4 HFC6, PREE / FKW, PCW / FRO	

LE996\_N3175-front\_1015-V04

		Spare part number	Spare part number	Spare part number	Colours available
1	Storage strap (2x)	626986	626985 colours available: 27, 136	691739 ≥ 24-04-2018 (E114V.....)	27
2	Latch				
3	Strike plate				
4	Pocket cover				
5	Hinge center				
6	Hinge plate				
7	Cap (2x)	623622			08
8	Cap freezer bolt (12x)	624479			08
9	Shelf freezer 404 x 238.5	690843			08
10	Ice cube tray				
11	Control panel	<i>Refer to page 34</i>			
12	Fin				
13	Shelf 428.4 x 232.3	690844			08
14	Clip shelf large	623625			08
15	Fin clip	623059			
16	Thermistor	623077			
17	Identification label *				
18	Shelf 428.4 x 282.3	690845			08
19	Clip shelf large	623625			08
20	Vegetable bin	690829			08
21	Latch bottom	624001			27
22	Hinge plate				
23	Door bin curved wide	690842			08
24	Bottle retainer	626989			12
25	Door bin curved shallow	690841			08
26	Shelf food retainer	691188			08

\* With a request for information or service, always provide the serial number of the refrigerator. The serial number is the code below the barcode on the identification label.



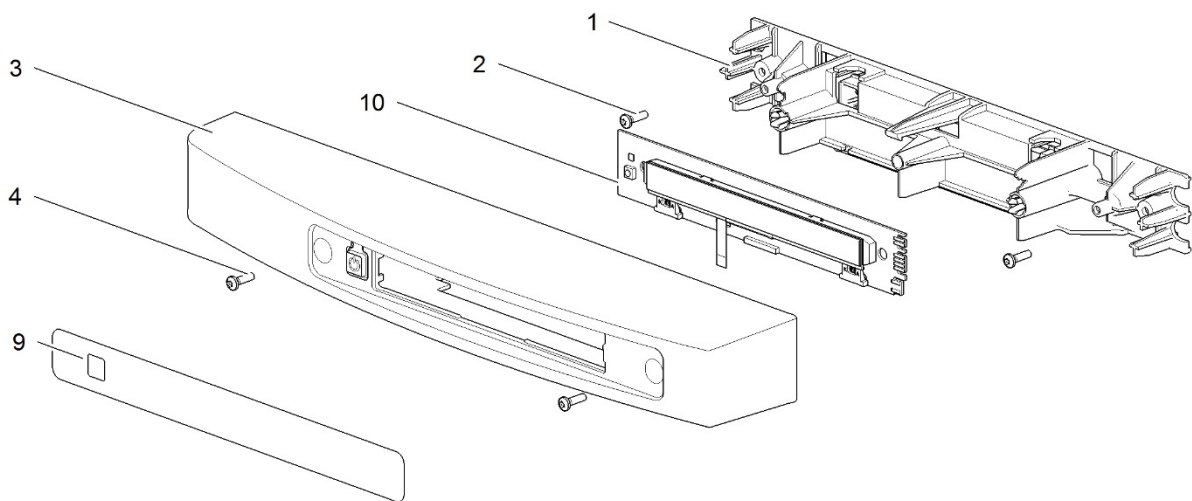
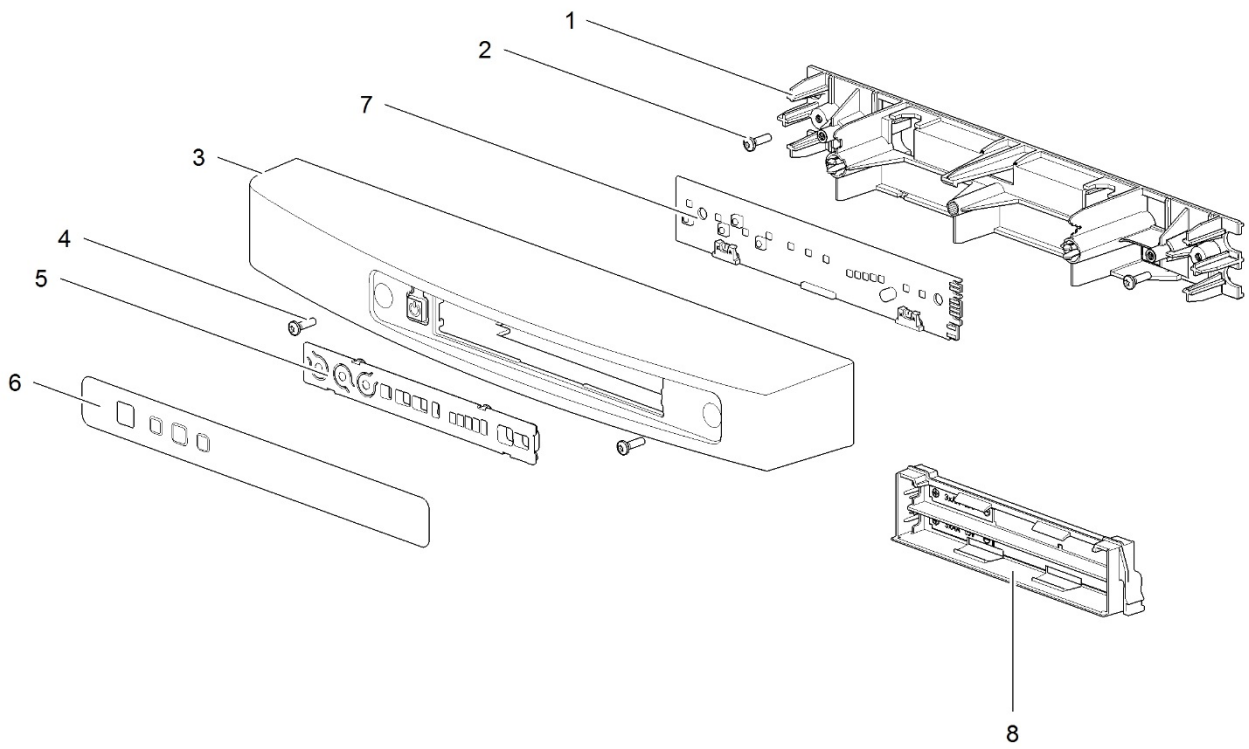
\*26

<b>Model No</b> Serie No		Type <b>C11</b>	CE
230 VAC / 50 Hz / 150 W / 12 VDC / 140 W		Climate Class <b>T3</b>	130112
Gross Volume Netto Volume Volume Bruto Volume Netto	100 L		
Pressure Volume Differsenza Volume Volume Congelatore	100 L 100 L 100 L		
Tipo Vetro Bordo Vetro Bordo Vetro	100 L 100 L 100 L		
CE 0803 BM207		Part No: 03807	
ABSORBER NH3 = 154.9 g		NAX2R04 = 10.1 g	
g max = 21 bar			
CFC/HCFC FREE / PFC/POW FREE		R20012 8020_SerieFridge_EUR	

LE1063-N3170-front\_0518-V04

		Spare part number	Spare part number	Spare part number	Colours available
1	Storage strap (2x)	626986	626985 colours available 27, 136	691468 ≥ 31-06-2016 (E151T.....)	27
2	Latch				
3	Strike plate				
4	Pocket cover				
5	Hinge center				
6	Hinge plate				
7	Cap (2x)	623622			08
8	Cap freezer bolt (12x)	624479			08
9	Ice cube tray				
10	Control panel	<i>Refer to page</i>			
11	Shelf rack 415 x 150	692510			144
12	Shelf rack 415 x 200	692511			144
13	Clip shelf rack small	692513			08
14	Clip rack safety lock	692515			08
15	Clip shelf rack large	692514			08
16	Slide out box guide	692518			144
17	Slide out box	692517			144
18	Shelf rack 415 x 250	692512			144
19	Vegetable bin reversible	692524			144
20	Hinge plate				
21	Door bin curved	692520			144
22	Bottle retainer	692521			08
23	Fin				
24	Fin clip	623059			
25	Thermistor	623077			
26	Identification label				

\* With a request for information or service, always provide the serial number of the refrigerator. The serial number is the code below the barcode on the identification label.



LE1005\_Control Panel-curved525

		Spare part number	Spare part number	Spare part number	Colours available
1	Technical panel curved <sup>1/2</sup>	690825			
2	Screws				
3	Housing curved <sup>1/2</sup>				
	right hinged	690826			07, 27, 136
	left hinged	690827			07, 27, 136
4	Screws				
5	Overlay LED		691105		
6	Sticker LED	691106			
7	PCB LED DM			691126	
	≥ 20-06-2015 (E171S.....)				
	< 20-06-2015 (E171S.....)	691138			
		<i>LED version kit<sup>3</sup></i>			
8	Battery hatch				
	Battery pack	690225			07, 27
9	Sticker LCD	691110			
10	PCB LCD DM		691108		
	≥ 20-06-2015 (E171S.....)				
	< 20-06-2015 (E171S.....)	691139			
		<i>LCD version kit<sup>4</sup></i>			

<sup>1</sup> Order also spare part 'Sticker LED' (#6) with this spare part number for a LED-version

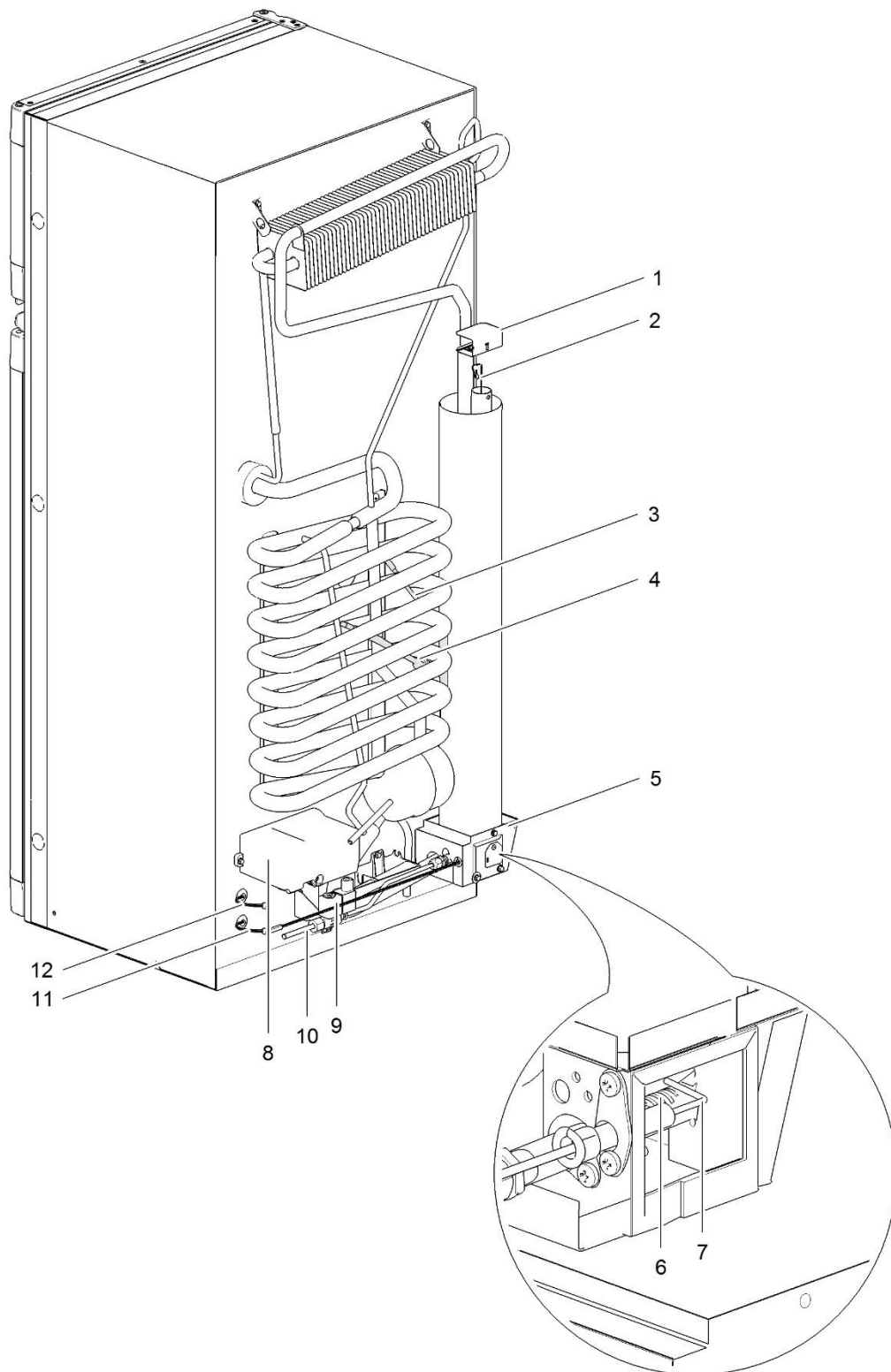
<sup>2</sup> Order also spare part 'Sticker LCD' (#9) with this spare part number for a LCD-version

<sup>3</sup> LED version kit contains:

- Power control board
- PCB LED display module
- Sticker LED
- Overlay LED
- Conversion cable

<sup>4</sup> LCD version kit contains:

- Power control board
- PCB LCD display module
- Sticker LCD
- Conversion cable



LE1001\_N3145-N3150-N3170-N3175-back

		Spare part number	Spare part number	Colours available
1	Heat cap	690839		
2	Heat diffuser	690879		
3	Heater AC	633573		
4	Heater DC	633572		
5	Heater box			
6	Burner assembly	623058		
7	Spark electrode	690840		
8	Power control board			
	< 20-06-2015 (E171S.....)	691138 <i>LED version kit<sup>1</sup></i>	691139 <i>LCD version kit<sup>2</sup></i>	
	≥ 20-06-2015 (E171S.....)	691101		
9	Gas valve	690810		
10	Gas pipe			
11	Thermistor cable			
	Loose connector temperature <i>power board side</i>	690855	690853	
12	Communication cable			
	Loose connector communication	690856	690854	

<sup>1</sup> LED version kit contains:

- Power control board
- PCB LED display module
- Sticker LED
- Overlay LED
- Conversion cable

<sup>2</sup> LCD version kit contains:

- Power control board
- PCB LCD display module
- Sticker LCD
- Conversion cable



<b>Colour Numbers</b>	<b>Description</b>	<b>Colour reference</b>
07	Traffic Grey	RAL 7042
08	White	MP 1013 MP FR 85 R7
12	Blue	RAL 5012
27(R)	Black	RAL 9005
30	Mocha	NCS S 2005-Y40R
90	Anthracite Grey	RAL 7016
136	Black Grey	RAL 7021
138R	Piano Black	AM50CI EG schwarz 8325 VA 82-99139/10