

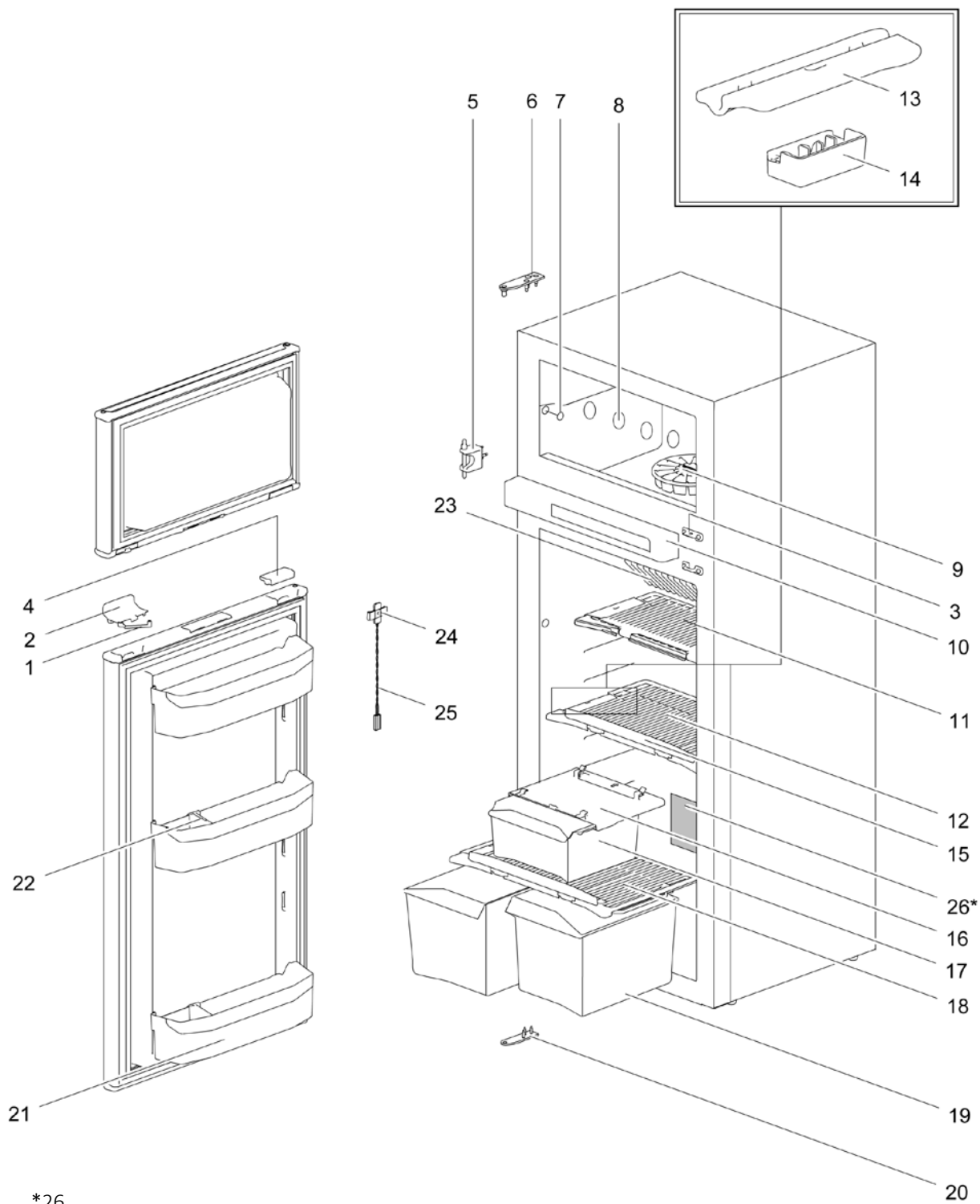
17*

Model No	Type	CE	EN
Serial No	Dimensions (mm)	NEW SPEC	
Energy Efficiency Class Energy Consumption Capacity (kg)	Net Weight Gross Weight Capacity (L)	Barcode EPRIN000811	Manufacturer Model No Production Date
Model No: N3170 Serial No: 123456789 Energy Efficiency Class: A Energy Consumption: 100 kWh/year Capacity (kg): 100	Net Weight: 100 kg Gross Weight: 120 kg Capacity (L): 100	Barcode: EPRIN000811 Manufacturer: ABC Company Model No: N3170 Production Date: 2023-10-15	Manufacturer: ABC Company Model No: N3170 Production Date: 2023-10-15

LE1063_N3170-front_1015-V03

		Spare part number	Spare part number	Spare part number	Colours available
1	Storage strap (2x)	626986	626985 colours available 27, 136	691468 ≥ 31-06-2016 (E151T.....)	27
2	Latch				
3	Strike plate				
4	Pocket cover				
5	Hinge center				
6	Hinge plate				
7	Cap (2x)	623622			08
8	Cap freezer bolt (12x)	624479			08
9	Shelf freezer 404 x 238.5	690843			08
10	Ice cube tray				
11	Control panel	<i>Refer to page 32</i>			
12	Fin				
13	Shelf 428.4 x 232.3	690844			08
14	Clip shelf large	623625			08
15	Fin clip	623059			
16	Thermistor	623077			
17	Identification label *				
18	Shelf 428.4 x 282.3	690845			08
19	Clip shelf large	623625			08
20	Vegetable bin	690829			08
21	Latch bottom	624001			27
22	Hinge plate				
23	Door bin flat wide	690804			08
24	Bottle retainer	626989			12
25	Shelf food retainer	691188			08

* With a request for information or service, always provide the serial number of the refrigerator. The serial number is the code below the barcode on the identification label.



*26

LE1063-N3170-front_0518-V04

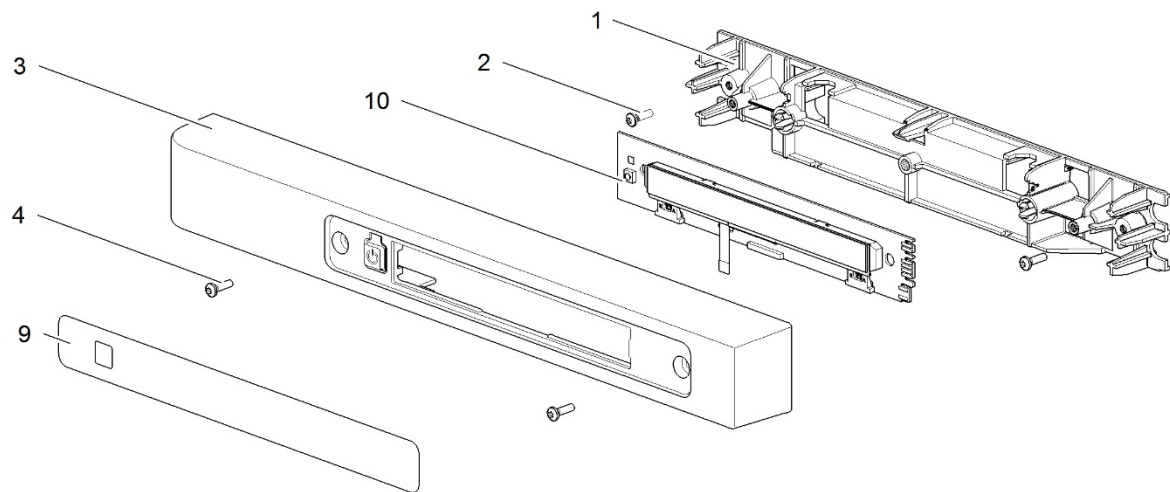
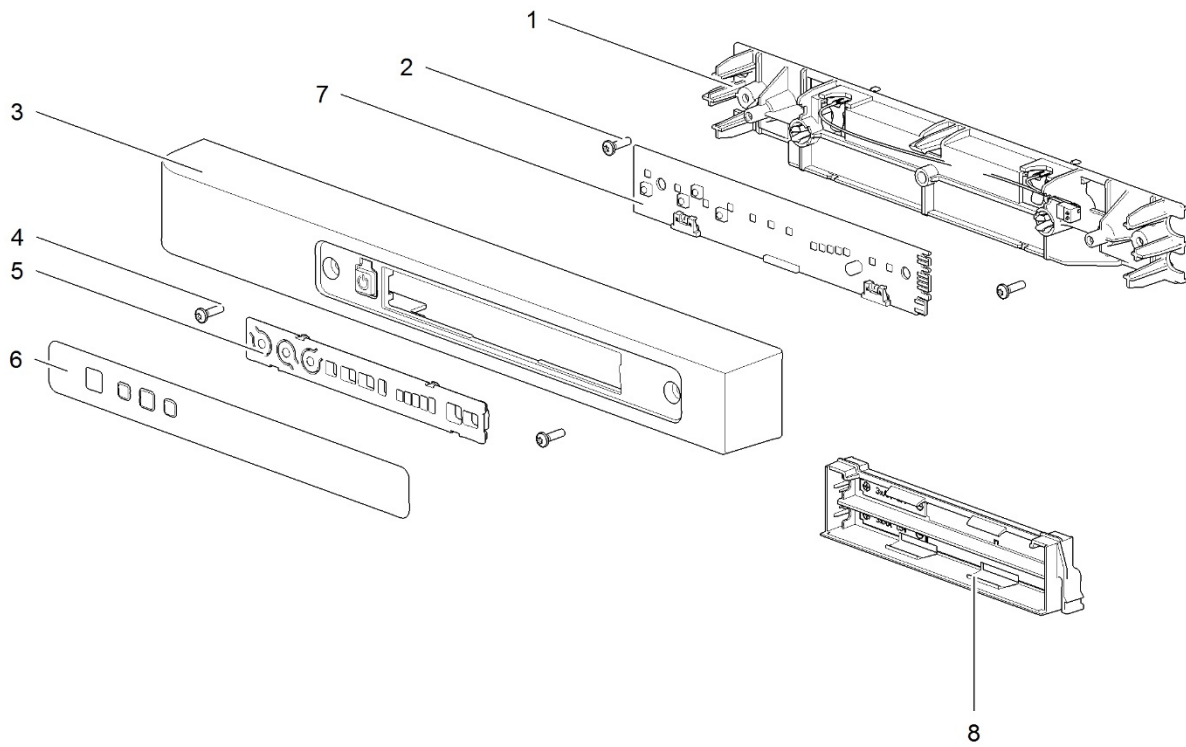
Model No	Typ	CE
Serie No	CHARM CLASS	EN 15131
20 VHD 750 (2000) 1000W 12 VCC 1400W		
Große Volumen	198 L	
Stattliche Volumen		
Volumen Bräut		
Stattliche Volumen		
Freier Volumen	18	
Gefrierfach Vol.	18 (2023) 20-2027 mbar	
Volumen Gefrierfach	18 (2023) 20-2027 mbar	
Volumen Gefrierfach	18 (2023) 20-2027 mbar	
Netto Volumen	182	
Netto Volumen		
Netto Volumen		
CE 0043 BK2297	Part No	034807
ABSORBER	1445 x 154,9 g	NA2CR08 x 10,1 g
		p max = 21 bar
CFCK/HCFC, FREE / PKW, PKW FREE		920019
		9020_SchW/10gr_EUR

SPECIMEN

E0131000611

		Spare part number	Spare part number	Spare part number	Colours available
1	Storage strap (2x)	626986	626985 colours available 27, 136	691468 ≥ 31-06-2016 (E151T.....)	27
2	Latch				
3	Strike plate				
4	Pocket cover				
5	Hinge center				
6	Hinge plate				
7	Cap (2x)	623622			08
8	Cap freezer bolt (12x)	624479			08
9	Ice cube tray				
10	Control panel	<i>Refer to page</i>			
11	Shelf rack 415 x 150	692510			144
12	Shelf rack 415 x 200	692511			144
13	Clip shelf rack small	692513			08
14	Clip rack safety lock	692515			08
15	Clip shelf rack large	692514			08
16	Slide out box guide	692518			144
17	Slide out box	692517			144
18	Shelf rack 415 x 250	692512			144
19	Vegetable bin reversible	692524			144
20	Hinge plate				
21	Door bin flat	692519			144
22	Bottle retainer	692521			08
23	Fin				
24	Fin clip	623059			
25	Thermistor	623077			
26	Identification label				

* With a request for information or service, always provide the serial number of the refrigerator. The serial number is the code below the barcode on the identification label.



LE1004_Control Panel+flat525_1214-V04

		Spare part number	Spare part number	Spare part number	Colours available
1	Technical panel flat ^{1/2}	690806			
2	Screws				
3	Housing flat ^{1/2}				
	right hinged flat door 10 mm ≥ 31-05-2016 (E151T.....)	691463			
	right hinged	690819			07, 27, 136
	left hinged	690820			07, 27, 136
	left hinged flat door 10 mm ≥ 31-05-2016 (E151T.....)	691464			
4	Screws				
5	Overlay LED		691105		
6	Sticker LED	691106		691126	
7	PCB LED DM				
	≥ 20-06-2015 (E171S.....)				
	< 20-06-2015 (E171S.....)	691138 <i>LED version kit³</i>			
8	Battery hatch				
	Battery pack	690225			07, 27
9	Sticker LCD	691110			
10	PCB LCD DM		691108		
	≥ 20-06-2015 (E171S.....)				
	< 20-06-2015 (E171S.....)	691139 <i>LCD version kit⁴</i>			

¹ Order also spare part 'Sticker LED' (#6) with this spare part number for a LED-version

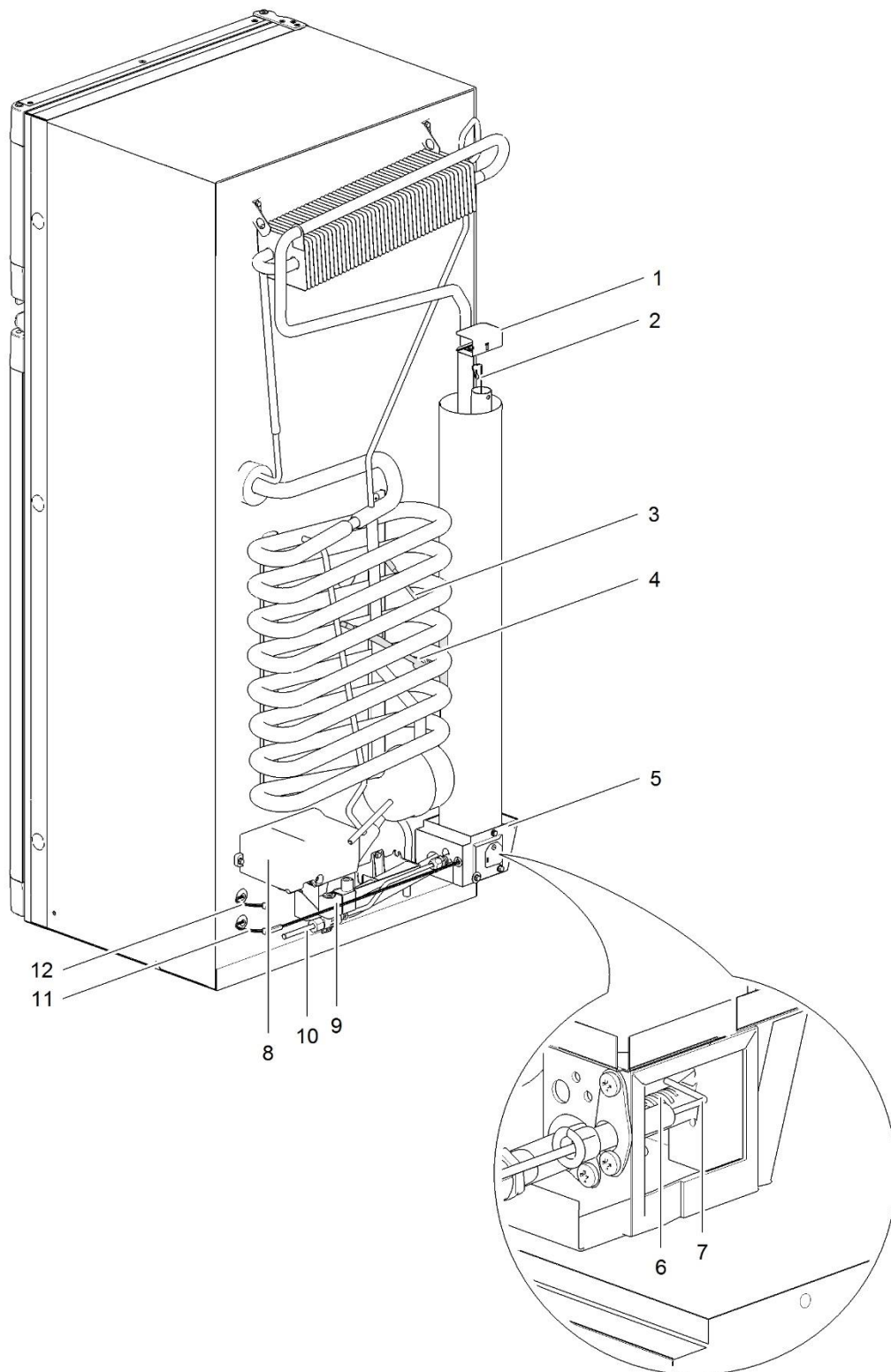
² Order also spare part 'Sticker LCD' (#9) with this spare part number for a LCD-version

³ LED version kit contains:

- Power control board
- PCB LED display module
- Sticker LED
- Overlay LED
- Conversion cable

⁴ LCD version kit contains:

- Power control board
- PCB LCD display module
- Sticker LCD
- Conversion cable



LE1001_N3145-N3150-N3170-N3175-back

		Spare part number	Spare part number	Colours available
1	Heat cap	690839		
2	Heat diffuser	690879		
3	Heater AC	633573		
4	Heater DC	633572		
5	Heater box			
6	Burner assembly	623058		
7	Spark electrode	690840		
8	Power control board			
	< 20-06-2015 (E171S.....)	691138 <i>LED version kit¹</i>	691139 <i>LCD version kit²</i>	
	≥ 20-06-2015 (E171S.....)	691101		
9	Gas valve	690810		
10	Gas pipe			
11	Thermistor cable			
	Loose connector temperature <i>power board side</i>	690855	690853	
12	Communication cable			
	Loose connector communication	690856	690854	

¹ LED version kit contains:

- Power control board
- PCB LED display module
- Sticker LED
- Overlay LED
- Conversion cable

² LCD version kit contains:

- Power control board
- PCB LCD display module
- Sticker LCD
- Conversion cable

Colour Numbers	Description	Colour reference
07	Traffic Grey	RAL 7042
08	White	MP 1013 MP FR 85 R7
12	Blue	RAL 5012
27(R)	Black	RAL 9005
30	Mocha	NCS S 2005-Y40R
90	Anthracite Grey	RAL 7016
136	Black Grey	RAL 7021
138R	Piano Black	AM50CI EG schwarz 8325 VA 82-99139/10