

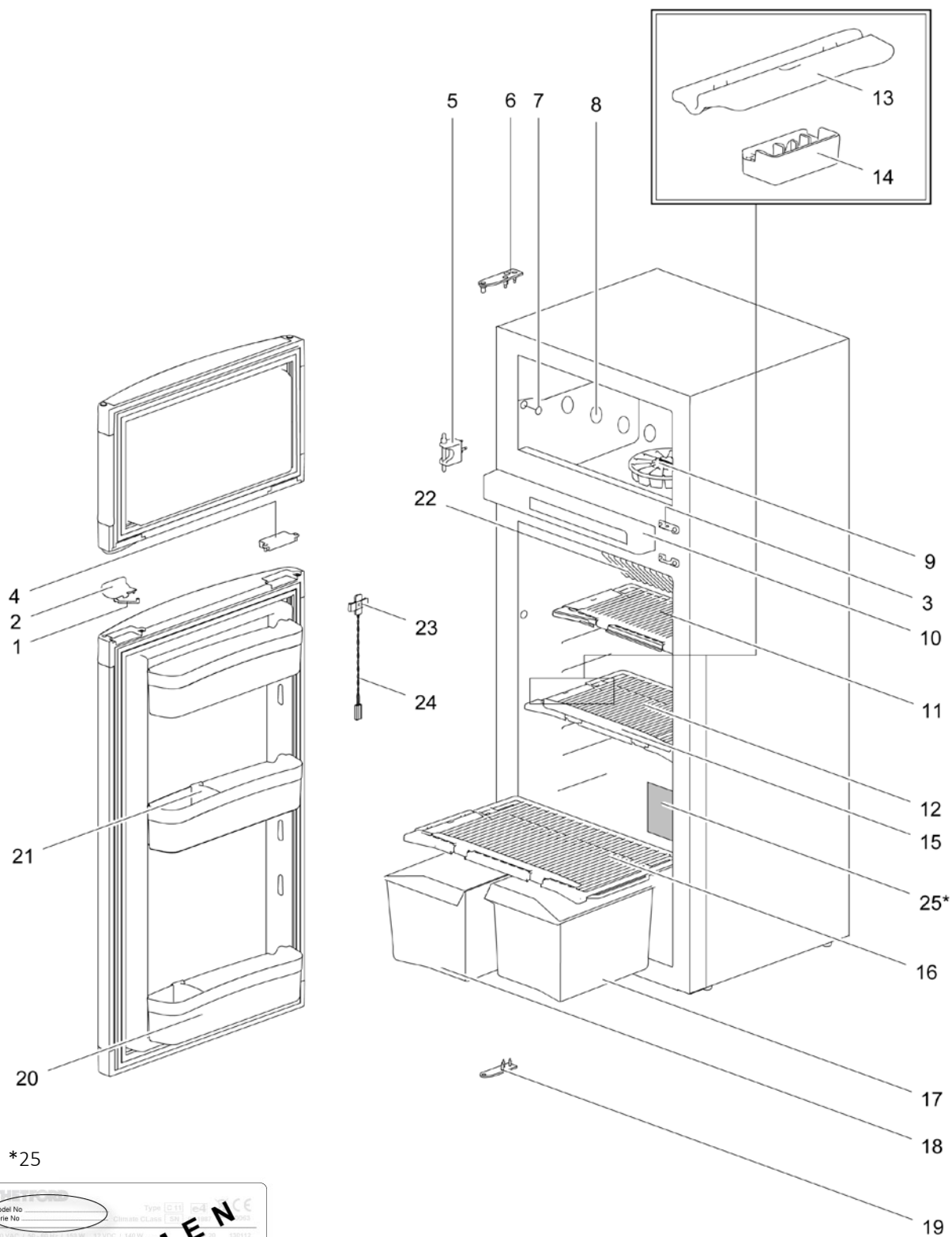
17\*

<b>TRUSSARDI</b> Model No. <input type="text"/> Type: <input type="text"/> CE Serie No. <input type="text"/> Climate Class: <input type="text"/>	
230 VAC/50-60 Hz/150-160 W 12 VDC / 140 W 130112	
Gross Volume Netto Volume Volume Frost Brutto Volume	108 L 21 L 2 L 108 L
Freezer Volume Climate Class Volume Comp Volume	R600031-28-3037 extra (R600031-28-3037) 130P C30G31 30 ml/m <sup>3</sup>
Year Month Volume Prod Serial Number	1992 01 100 E013N1000611
CE 9025 902527 Part No. 036027	ABSORBER NH3 = 154,9 g NA2CO3 = 10,1 g g max = 21 bar
CHECK R4FC, FREE / FROST, FC/W, FROST	430019 9025_SerialFridge_EUR

LE995\_N3150-front\_1015-V04

		Spare part number	Spare part number	Spare part number	Colours available
1	Storage strap (2x)	626986	626985 colours available: 27, 136	691739 ≥ 24-04-2018 (E114V.....)	27
2	Latch				
3	Strike plate				
4	Pocket cover				
5	Hinge center				
6	Hinge plate				
7	Cap (2x)	623622			08
8	Cap freezer bolt (12x)	624479			08
9	Shelf freezer 405 x 188.5	690836			08
10	Ice cube tray				
11	Control panel	<i>Refer to page 34</i>			
12	Fin				
13	Shelf 428.5 x 158	690837			08
14	Clip shelf small	623626			08
15	Fin clip	623059			
16	Thermistor	623077			
17	Identification label *				
18	Shelf 427.5 x 218.3	690838			08
19	Clip shelf large	623625			08
20	Vegetable bin	690829			08
21	Latch bottom	624001			27
22	Hinge plate				
23	Door bin	690842			08
	Door bin	626977			12
24	Bottle retainer	626989			12
25	Door bin curved shallow	690841			08
26	Shelf food retainer	691188			08

\* With a request for information or service, always provide the serial number of the refrigerator. The serial number is the code below the barcode on the identification label.



\*25

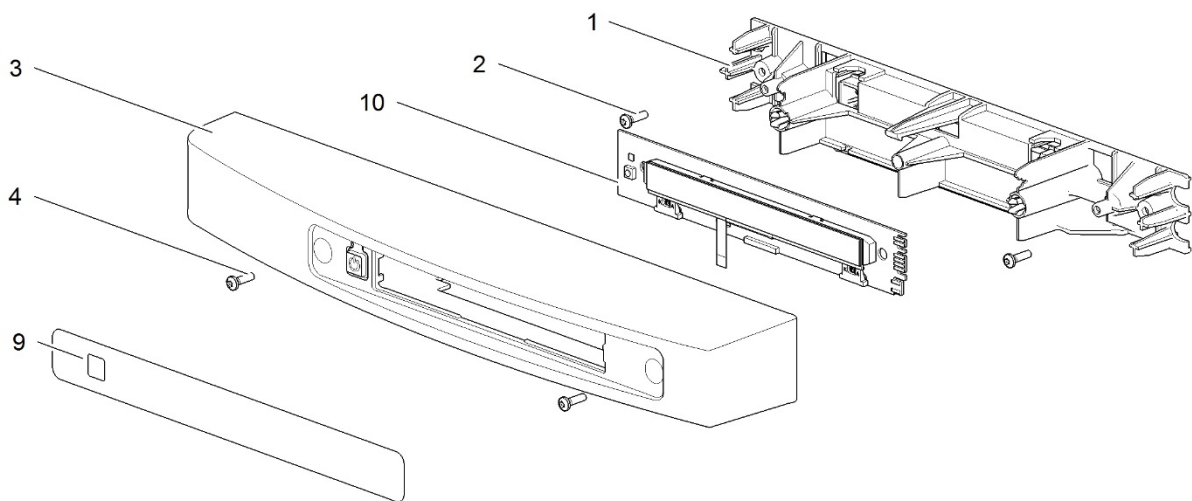
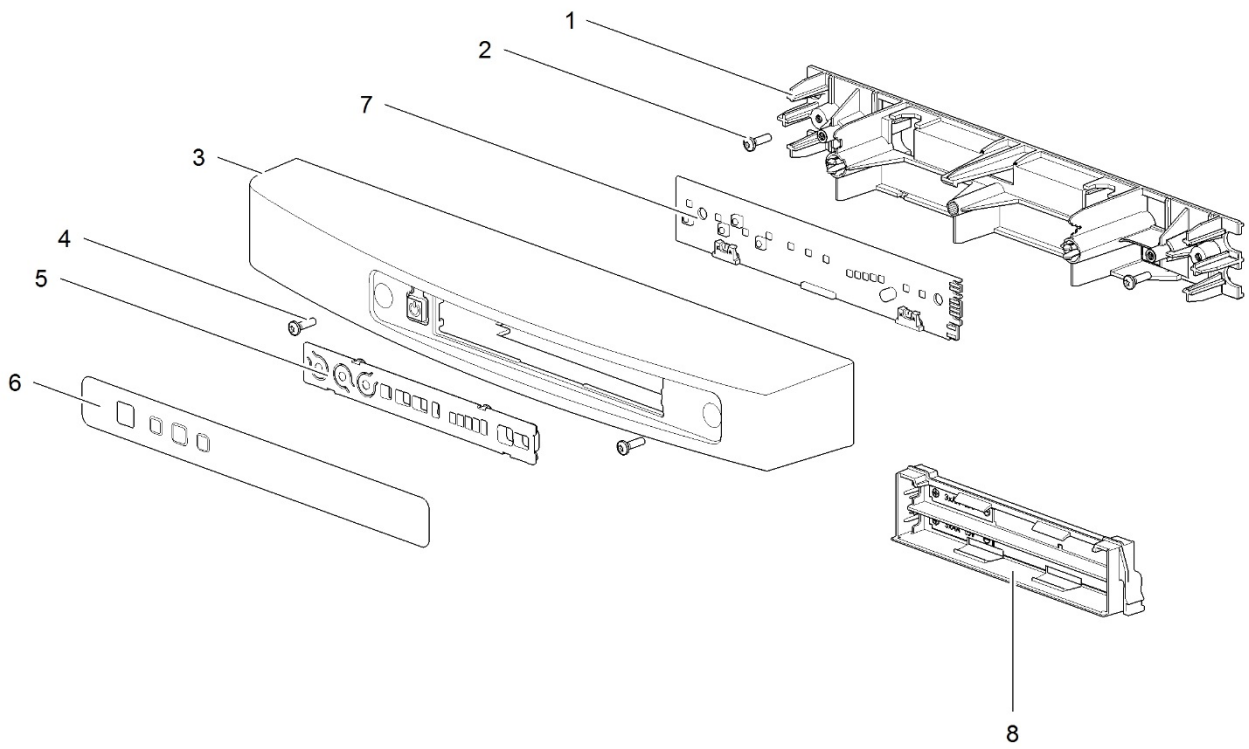
<b>THOR</b>	
Model No	Type C11
Serie No	Climate Class S1V
205 V/50 Hz/50/60 Hz/1100 W/12 VDC/1140 W	
Brutto Volumen	150 L
Netto Volumen	
Volumen Brust	
Brutto Volumen	
Flächen Volumen	0,0031-38-3807 m²/m²
Quadratmeter Wert	0,0031-38-3807 m²/m²
Volumen Gruppe	0,0031-38-3807 m³
Net V	102
Netto Volumen	
Netto Volumen	
Netto Volumen	
CE 0002 000007	Part No: 024007
ABSORBER NH3 = 154,8 g	NAZER04 = 10,1 g
p.max = 21 bar	
CPFC HCFC, FREE / FKW, FCKW FREE	
©2007	
0030_SerieF100pt_EUR	

SPECIMEN

N3150-front\_0718-V04

		Spare part number	Spare part number	Spare part number	Colours available
1	Storage strap (2x)	626986	626985 colours available: 27, 136	691468 ≥ 31-06-2016 (E151T.....)	27
2	Latch				
3	Strike plate				
4	Pocket cover				
5	Hinge center				
6	Hinge plate				08
7	Cap (2x)	623622			08
8	Cap freezer bolt (12x)	624479			08
9	Ice cube tray				
10	Control panel	<i>Refer to page</i>			
11	Shelf rack 415 x 150	692510			144
12	Shelf rack 415 x 200	692511			144
13	Clip shelf rack small	692513			08
14	Clip rack safety lock	692515			08
15	Clip shelf rack large	692514			08
16	Shelf rack 415 x 250	692512			144
17	Vegetable bin right	692523			144
18	Vegetable bin left	692522			144
19	Hinge Plate				
20	Door bin curved	692520			144
21	Bottle retainer	692521			08
22	Fin				
23	Fin clip (3x)	623059			
24	Thermistor	623077			
25*	Identification label				

\* With a request for information or service, always provide the serial number of the refrigerator. The serial number is the code below the barcode on the identification label.



		Spare part number	Spare part number	Spare part number	Colours available
1	Technical panel curved <sup>1/2</sup>	690825			
2	Screws				
3	Housing curved <sup>1/2</sup>				
	right hinged	690826			07, 27, 136
	left hinged	690827			07, 27, 136
4	Screws				
5	Overlay LED		691105		
6	Sticker LED	691106			
7	PCB LED DM			691126	
	≥ 20-06-2015 (E171S.....)				
	< 20-06-2015 (E171S.....)	691138			
		<i>LED version kit<sup>3</sup></i>			
8	Battery hatch				
	Battery pack	690225			07, 27
9	Sticker LCD	691110			
10	PCB LCD DM		691108		
	≥ 20-06-2015 (E171S.....)				
	< 20-06-2015 (E171S.....)	691139			
		<i>LCD version kit<sup>4</sup></i>			

<sup>1</sup> Order also spare part 'Sticker LED' (#6) with this spare part number for a LED-version

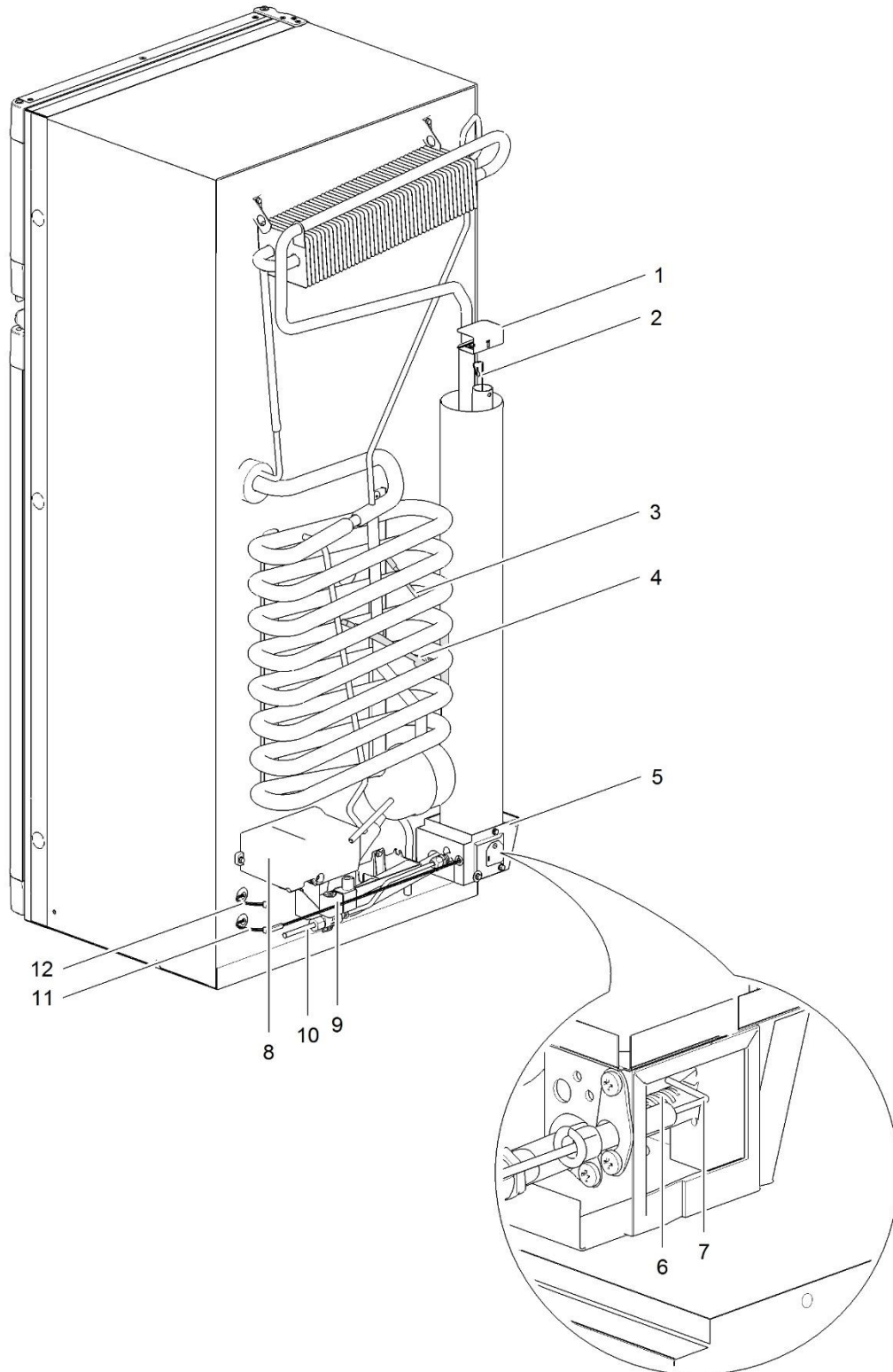
<sup>2</sup> Order also spare part 'Sticker LCD' (#9) with this spare part number for a LCD-version

<sup>3</sup> LED version kit contains:

- Power control board
- PCB LED display module
- Sticker LED
- Overlay LED
- Conversion cable

<sup>4</sup> LCD version kit contains:

- Power control board
- PCB LCD display module
- Sticker LCD
- Conversion cable



LE1001\_N3145-N3150-N3170-N3175-back

		Spare part number	Spare part number	Colours available
1	Heat cap	690839		
2	Heat diffuser	690879		
3	Heater AC	633573		
4	Heater DC	633572		
5	Heater box			
6	Burner assembly	623058		
7	Spark electrode	690840		
8	Power control board			
	< 20-06-2015 (E171S.....)	691138 <i>LED version kit<sup>1</sup></i>	691139 <i>LCD version kit<sup>2</sup></i>	
	≥ 20-06-2015 (E171S.....)	691101		
9	Gas valve	690810		
10	Gas pipe			
11	Thermistor cable			
	Loose connector temperature <i>power board side</i>	690855	690853	
12	Communication cable			
	Loose connector communication	690856	690854	

<sup>1</sup> LED version kit contains:

- Power control board
- PCB LED display module
- Sticker LED
- Overlay LED
- Conversion cable

<sup>2</sup> LCD version kit contains:

- Power control board
- PCB LCD display module
- Sticker LCD
- Conversion cable



<b>Colour Numbers</b>	<b>Description</b>	<b>Colour reference</b>
07	Traffic Grey	RAL 7042
08	White	MP 1013 MP FR 85 R7
12	Blue	RAL 5012
27(R)	Black	RAL 9005
30	Mocha	NCS S 2005-Y40R
90	Anthracite Grey	RAL 7016
136	Black Grey	RAL 7021
138R	Piano Black	AM50CI EG schwarz 8325 VA 82-99139/10