

17\*

<b>THOR</b>		Type (C/T)	CE
Model No		Dimens (CL/WH)	53
Series No			130112
230 (W) x 50 (D) x 184 (H) cm	12 VDC	1.140 W	
Gross Volume			
Netto Volume	108 L	Ø: 21 W	
Volume Brat			
Storage Volume			
Freezer Volume		Ø: 21 W	
Gross/Netto Volume			
Volume Comp	1000P (330031) 30 mbar		
Volume Conv			
Volume			
Netto Volume	102		
Netto Volume			
Netto Volume			
CE 0903 EN3227	Part No: 934807		
ABSORBER NH1 = 154.0 g NA3CR04 = 10.1 g p max = 21 bar			
CFC/HCFC/FREE/FCW/FCW/FBI			
©2019 R000_ServFridge_EUR			

**SPECIMEN**

ED13N1000611

22

21

LE994\_N3145-front\_1015-V05

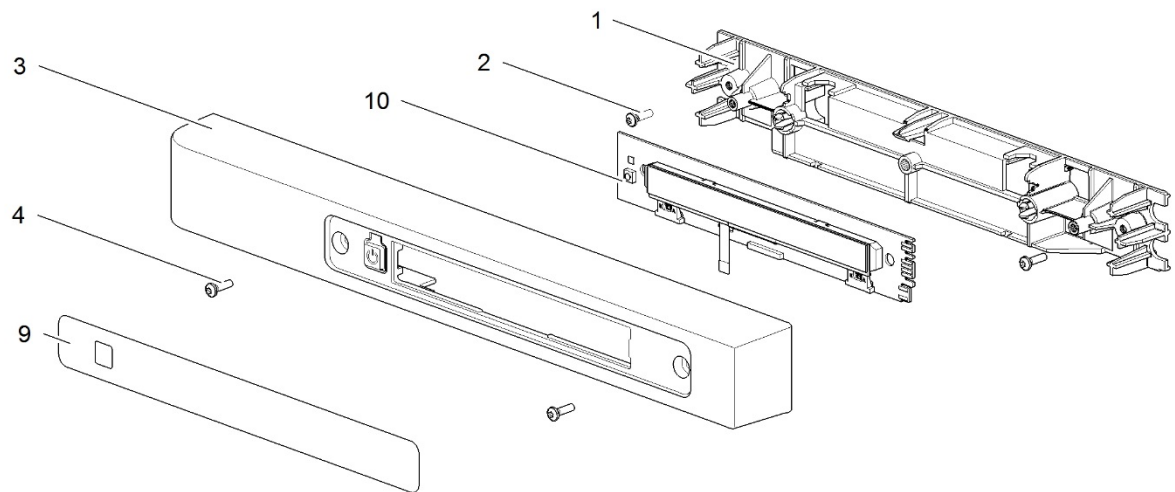
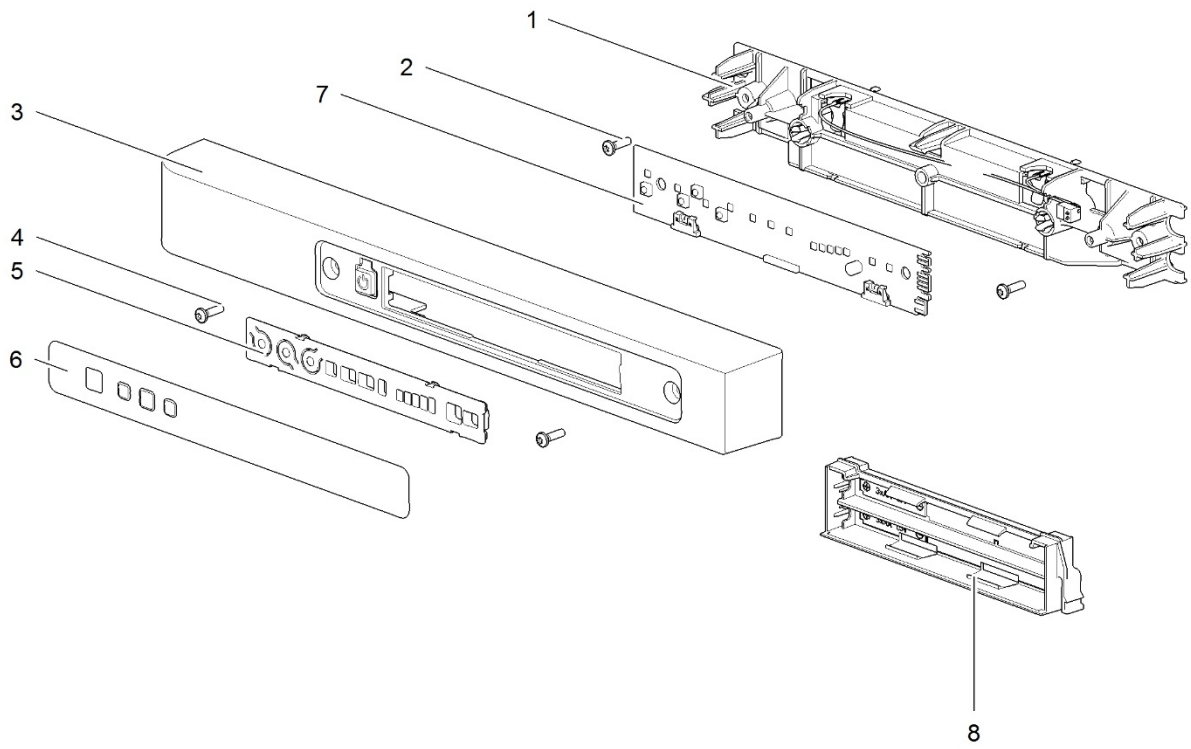
		Spare part number	Spare part number	Spare part number	Colours available
1	Latch		626985		
2	Storage strap (2x)	626986	626985 colours available: 27, 136	691468 ≥ 31-06-2016 (E151T.....)	27
3	Strike plate				
4	Pocket cover				
5	Hinge center				
6	Hinge plate				
7	Cap (2x)	623622			08
8	Cap freezer bolt (12x)	624479			08
9	Shelf freezer 405 x 188.5	690836			08
10	Ice cube tray				
11	Control panel	<i>Refer to page</i>			
12	Fin				
13	Shelf 428.5 x 158	690837			08
14	Clip shelf small	623626			08
15	Fin clip (3x)	623059			
16	Thermistor	623077			
17	Identification label *				
18	Shelf 427.5 x 218.3	690838			08
19	Clip shelf large	623625			08
20	Vegetable bin	690829			08
21	Latch bottom	624001			27
22	Hinge plate				
23	Door bin flat wide	690804			08
24	Bottle retainer	626989			12
25	Shelf food retainer	691188			08

\* With a request for information or service, always provide the serial number of the refrigerator. The serial number is the code below the barcode on the identification label.



		Spare part number	Spare part number	Spare part number	Colours available
1	Storage strap (2x)	626986	626985 colours available: 27, 136	691468 ≥ 31-06-2016 (E151T.....)	27
2	Latch				
3	Strike plate				
4	Pocket cover				
5	Hinge center				
6	Hinge plate				08
7	Cap (2x)	623622			08
8	Cap freezer bolt (12x)	624479			08
9	Ice cube tray				
10	Control panel	<i>Refer to page</i>			
11	Shelf rack 415 x 150	692510			144
12	Shelf rack 415 x 200	692511			144
13	Clip shelf rack small	692513			08
14	Clip rack safety lock	692515			08
15	Clip shelf rack large	692514			08
16	Shelf rack 415 x 250	692512			144
17	Vegetable bin right	692523			144
18	Vegetable bin left	692522			144
19	Hinge Plate				
20	Door bin flat	692519			144
21	Bottle retainer	692521			08
22	Fin				
23	Fin clip (3x)	623059			
24	Thermistor	623077			
25*	Identification label				

\* With a request for information or service, always provide the serial number of the refrigerator. The serial number is the code below the barcode on the identification label.



LE1004\_Control Panel+flat525\_1214-V04

		Spare part number	Spare part number	Spare part number	Colours available
1	Technical panel flat <sup>1/2</sup>	690806			
2	Screws				
3	Housing flat <sup>1/2</sup>				
	right hinged flat door 10 mm ≥ 31-05-2016 (E151T.....)	691463			
	right hinged	690819			07, 27, 136
	left hinged	690820			07, 27, 136
	left hinged flat door 10 mm ≥ 31-05-2016 (E151T.....)	691464			
4	Screws				
5	Overlay LED		691105		
6	Sticker LED	691106			
7	PCB LED DM			691126	
	≥ 20-06-2015 (E171S.....)				
	< 20-06-2015 (E171S.....)	691138			
		<i>LED version kit<sup>3</sup></i>			
8	Battery hatch				
	Battery pack	690225			07, 27
9	Sticker LCD	691110			
10	PCB LCD DM		691108		
	≥ 20-06-2015 (E171S.....)				
	< 20-06-2015 (E171S.....)	691139			
		<i>LCD version kit<sup>4</sup></i>			

<sup>1</sup> Order also spare part 'Sticker LED' (#6) with this spare part number for a LED-version

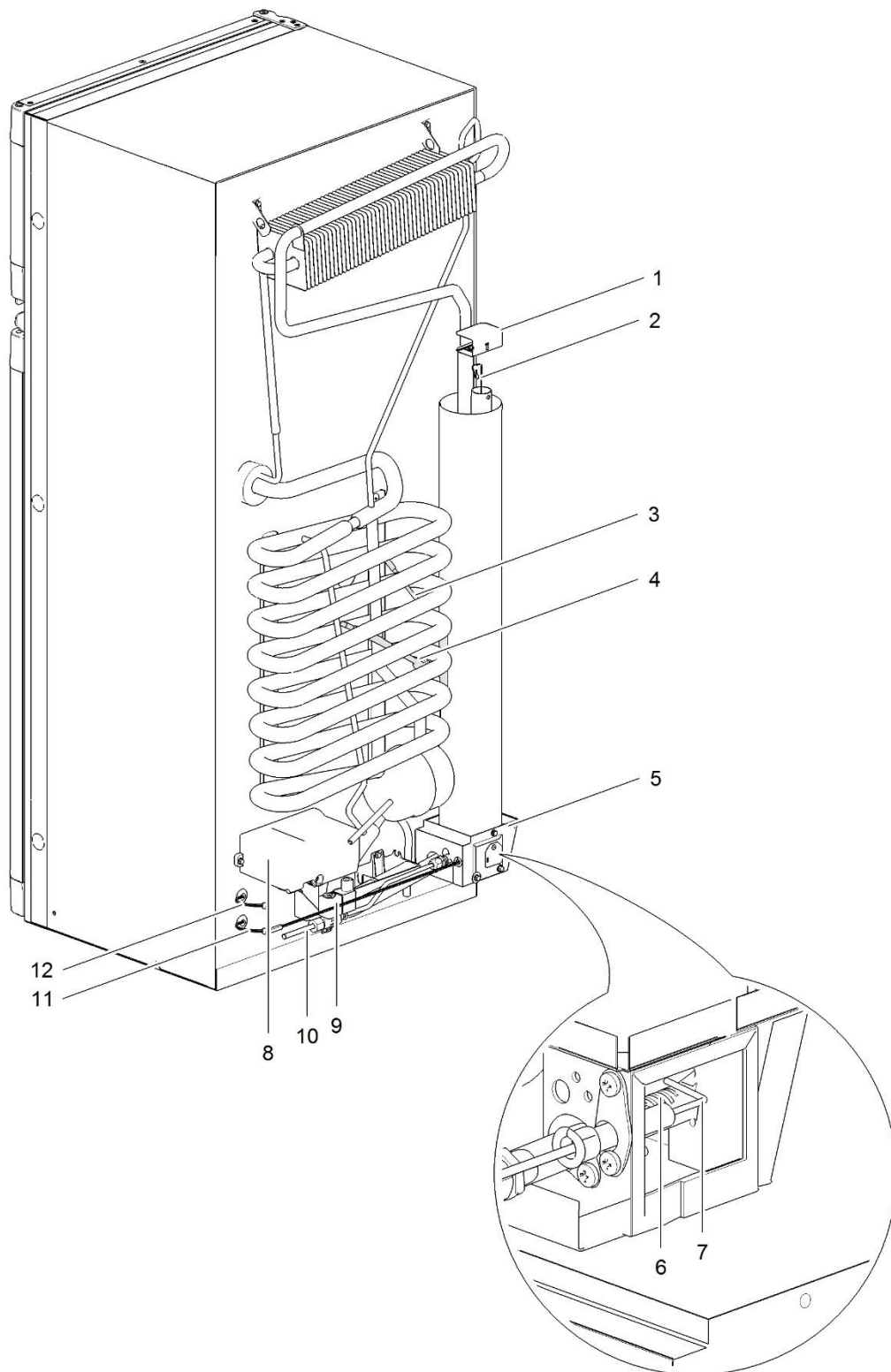
<sup>2</sup> Order also spare part 'Sticker LCD' (#9) with this spare part number for a LCD-version

<sup>3</sup> LED version kit contains:

- Power control board
- PCB LED display module
- Sticker LED
- Overlay LED
- Conversion cable

<sup>4</sup> LCD version kit contains:

- Power control board
- PCB LCD display module
- Sticker LCD
- Conversion cable



LE1001\_N3145-N3150-N3170-N3175-back

		Spare part number	Spare part number	Colours available
1	Heat cap	690839		
2	Heat diffuser	690879		
3	Heater AC	633573		
4	Heater DC	633572		
5	Heater box			
6	Burner assembly	623058		
7	Spark electrode	690840		
8	Power control board			
	< 20-06-2015 (E171S.....)	691138 <i>LED version kit<sup>1</sup></i>	691139 <i>LCD version kit<sup>2</sup></i>	
	≥ 20-06-2015 (E171S.....)	691101		
9	Gas valve	690810		
10	Gas pipe			
11	Thermistor cable			
	Loose connector temperature <i>power board side</i>	690855	690853	
12	Communication cable			
	Loose connector communication	690856	690854	

<sup>1</sup> LED version kit contains:

- Power control board
- PCB LED display module
- Sticker LED
- Overlay LED
- Conversion cable

<sup>2</sup> LCD version kit contains:

- Power control board
- PCB LCD display module
- Sticker LCD
- Conversion cable



<b>Colour Numbers</b>	<b>Description</b>	<b>Colour reference</b>
07	Traffic Grey	RAL 7042
08	White	MP 1013 MP FR 85 R7
12	Blue	RAL 5012
27(R)	Black	RAL 9005
30	Mocha	NCS S 2005-Y40R
90	Anthracite Grey	RAL 7016
136	Black Grey	RAL 7021
138R	Piano Black	AM50CI EG schwarz 8325 VA 82-99139/10