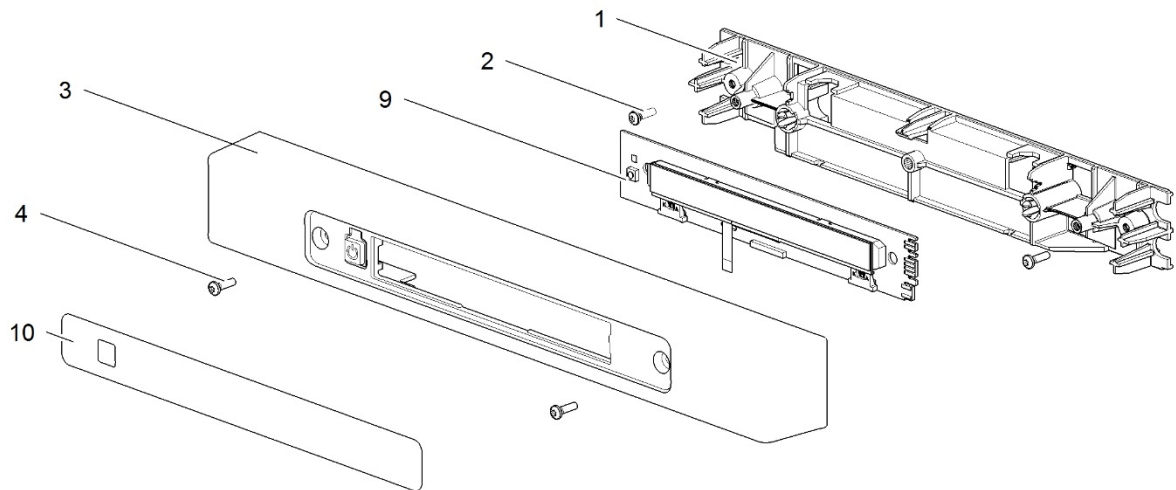
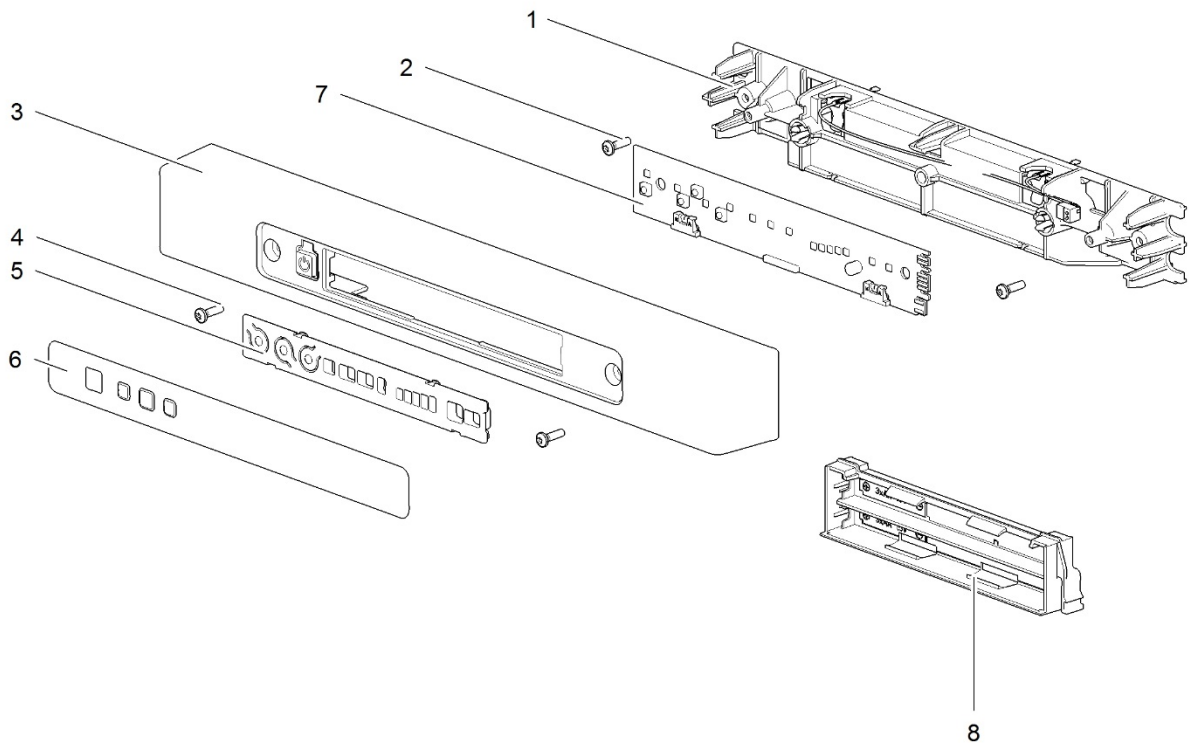




		Spare part number	Spare part number	Colours available
1	Hinge plate left	691111 < 01-05-2015	691456 ≥ 01-05-2015	27
2	Hinge plate right			
3	Hinge pin (including spring)			
4	Hinge plate bottom right			
5	Hinge plate bottom left			
6	Hinge pin bottom			
7	Control panel	<i>Refer to page 38</i>		
8	Cap freezer bolt (12x)	624479		08
9	Ice cube tray			
10	Freezer door		691112	
	Hinge freezer door (2x)	624680		08
11	Fin			
12	Door lock plate		691113	
13	Door handle			
14	Shelf food retainer	691114		08
15	Shelf 340 x 182	691115		08
16	Clip shelf small	623626		08
17	Clip shelf large	623625		08
18	Shelf 340 x 241	691116		08
19	Drip tray	691885		08
20	Cap (2x)	623622		08
21	Fin clip	623059		
22	Thermistor	623077		
23	Guiding cover	691118		08
24	Slide-out box	691119		08, 12
25	Drawer divider	691120		12
26	Drawer guides	691122		
27	Drawer bin	691457		08
28	Cabinet door	690517		27R
29	Door bin	691121		08, 12
30	Identification label*			

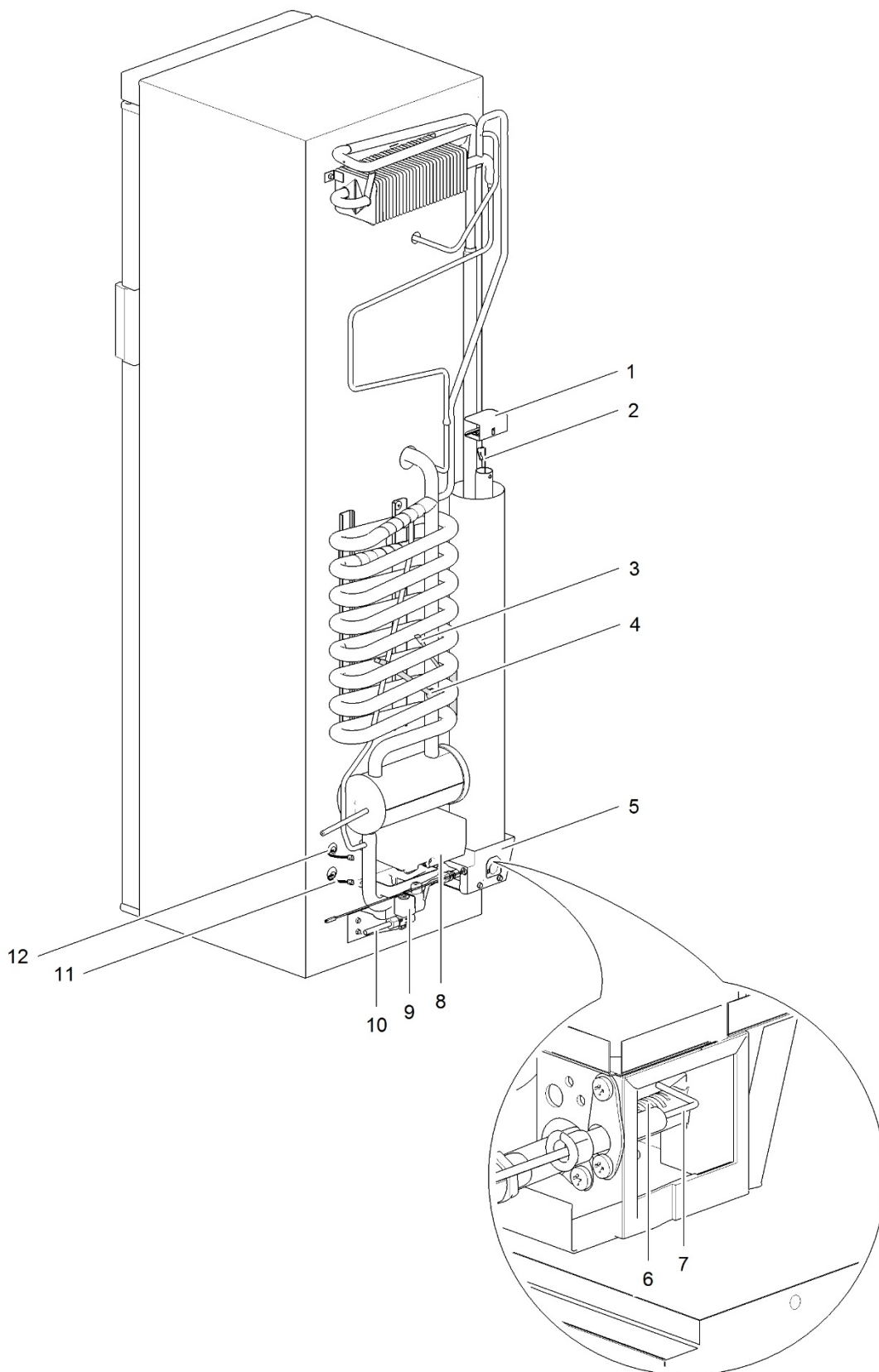
\* With a request for information or service, always provide the serial number of the refrigerator. The serial number is the code below the barcode on the identification label.



		Spare part number	Spare part number	Spare part number	Colours available
1	Technical panel flat <sup>1/2</sup>	691102			
2	Screws				
3	Housing flat <sup>1/2</sup>		691104		27
4	Screws				
5	Overlay LED		691105		
6	Sticker LED	691106		691103	
7	PCB LED DM				
8	Battery hatch				
	Battery pack	690225			07, 27
9	PCB LCD DM		691108		
10	Sticker LCD	691110			

<sup>1</sup> Order also spare part 'Sticker LED' (#6) with this spare part number for a LED-version

<sup>2</sup> Order also spare part 'Sticker LCD' (#10) with this spare part number for a LCD-version



LE1112\_N3141-N3142-back

		Spare part number	Spare part number	Colours available
1	Heat cap	690839		
2	Heat diffuser			
3	Heater AC	691124		
4	Heater DC	691125		
5	Heater box			
6	Burner assembly	623058		
7	Spark electrode	690840		
8	Power control board	691101		
9	Gas valve	690810		
10	Gas pipe			
11	Thermistor cable			
	Loose connector temperature <i>power board side</i>	690855	690853	
12	Communication cable			
	Loose connector communication	690856	690854	