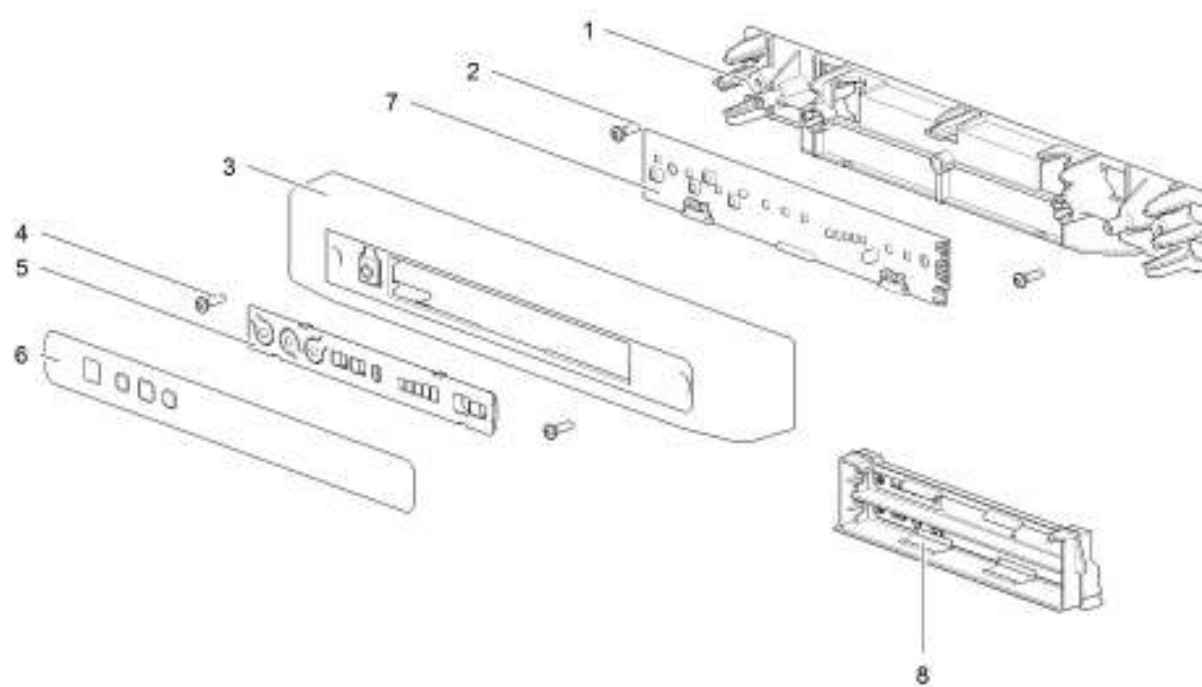


16*



| | | Spare part number | Spare part number | Colours available |
|----|-------------------------|-------------------------|-------------------|-------------------|
| 1 | Latch | | 629744 | 90 |
| 2 | Storage strap (2x) | 626986 | | 27 |
| 3 | Strike plate | | | |
| 4 | Freezer door | | 690852 | |
| | Hinge freezer door (2x) | 624680 | | 08 |
| 5 | Hinge plate | | | |
| 6 | Cap (2x) | 623622 | | 08 |
| 7 | Control panel | <i>Refer to page 36</i> | | |
| 8 | Mounting box | | | |
| 9 | Ice cube tray | | | |
| 10 | Cap freezer bolt (12x) | 624479 | | 08 |
| 11 | Fin | | | |
| 12 | Fin clip (3x) | 623059 | | |
| 13 | Thermistor | 623077 | | |
| 14 | Shelf 454 x 205 | 690831 | | 08 |
| 15 | Clip shelf large | 623625 | | 08 |
| 16 | Identification label * | | | |
| 17 | Clip shelf large | 623625 | | 08 |
| 18 | Vegetable bin | 690834 | | 08 |
| 19 | Latch bottom | 629721 | | |
| 20 | Hinge plate | | | |
| 21 | Door bin | 629745 | | 12 |
| 22 | Bottle retainer | 626989 | | 12 |
| 23 | Rail | | | |
| 24 | Door bin small | 629747 | | 12 |
| 25 | Shelf food retainer | 691188 | | 08 |

* With a request for information or service, always provide the serial number of the refrigerator. The serial number is the code below the barcode on the identification label.

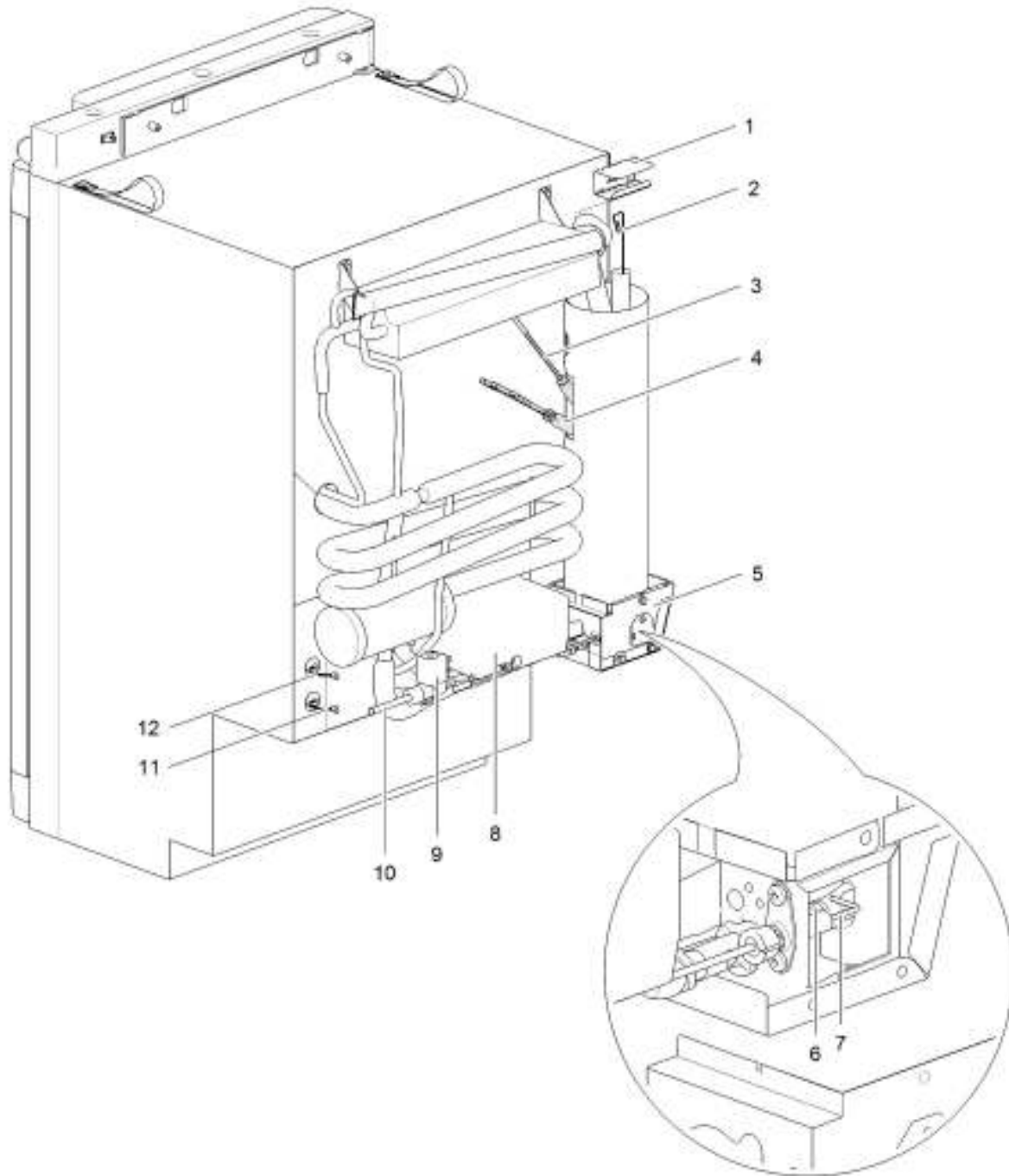


| | | Spare part number | Spare part number | Spare part number | Colours available |
|---|-----------------------------------|--|-------------------|-------------------|-------------------|
| 1 | Technical panel flat ¹ | 690806 | | | |
| 2 | Screws | | | | |
| 3 | Housing flat ¹ | 690835 | | | 07, 27, 136 |
| 4 | Screws | | | | |
| 5 | Overlay LED | | 691105 | | |
| 6 | Sticker LED | 691106 | | | |
| 7 | PCB LED DM | | | | |
| | < 20-06-2015 (E171S.....) | 691138 <i>LED version kit²</i> | | | |
| | ≥ 20-06-2015 (E171S.....) | 691126 | | | |
| 8 | Battery hatch | | | | |
| | Battery pack | 690225 | | | 07, 27 |

¹ Order also spare part 'Sticker LED' (#6) with this spare part number

² *LED version kit* contains:

- Power control board
- PCB LED Displaymodule
- Sticker LED
- Overlay LED
- Conversion cable



LE967_N3080-N3090-N3097-N3108-N3112-N3115-back_0813104

| | | Spare part number | Spare part number | Colours available |
|----|--|--|--|-------------------|
| 1 | Heat cap | 690812 | | |
| 2 | Heat diffuser | | | |
| 3 | Heater AC | 633575 | | |
| 4 | Heater DC | 633574 | | |
| 5 | Heater box | | | |
| 6 | Burner assembly | 634570 | | |
| 7 | Spark electrode | 690813 | | |
| 8 | Power control board | | | |
| | < 20-06-2015 (E171S.....) | 691138 <i>LED version kit¹</i> | 691139 <i>LCD version kit²</i> | |
| | ≥ 20-06-2015 (E171S.....) | 691101 | | |
| 9 | Gas valve | 690810 | | |
| 10 | Gas pipe | | | |
| 11 | Thermistor cable | | | |
| | Loose connector temperature <i>power board side</i> | 690855 | 690853 | |
| 12 | Communication cable | | | |
| | Loose connector communication | 690856 | 690854 | |

¹ LED version kit contains:

- Power control board
- PCB LED display module
- Sticker LED
- Overlay LED
- Conversion cable

² LCD version kit contains:

- Power control board
- PCB LCD display module
- Sticker LCD
- Conversion cable