

17*

FRIGORFER		Type	CE
Model No.		Class	II
Series No.		Control Class	2
230 V AC 50-60 Hz 163 W 12 V DC 140 W			
Größe Volumen			
Größe Volumen	108 L		
Volumen Brutt			
Netto Volumen			
Frostfrei Volumen			
Griffhöhe	102		
Griffbreite	102		
Grifftiefe	102		
Griffhöhe	102		
Griffbreite	102		
Grifftiefe	102		
SPECIMEN			
CE 0083 BNS287		Part No.	63467
ABSORBER	R63 = 154,9 g	NR2066 = 15,1 g	g max = 31,0g
CFC/HCFC/FREON/FROM, PCO/W FRED			
		©2019	
		0020_SpecFRtype_EUR	

LE992_N3112-front_1015-V04

		Spare part number	Spare part number	Spare part number	Colours available
1	Latch			≥ 24-04-2018 ≥ (E114V.....)	
2	Storage strap (2x)	626986	< 24-04-2018 < (E114V.....)	62698527 ** (framed door)	
3	Strike plate		62698527 ** (framed & frameless door)	69173927 ** (frameless door)	
4	Pocket cover				
5	Freezer door		690852		
	Hinge freezer door (2x)	624680			08
6	Hinge plate				
7	Cap (2x)	623622			08
8	Control panel LED	<i>Refer to page 42</i>			
9	Mounting box				
10	Ice cube tray				
11	Cap freezer bolt (6x)	624479			08
12	Fin				
13	Fin clip			623077	
14	Thermistor				
15	Shelf 454 x 205	690831			08
16	Clip shelf large	623625			08
17	Identification label *				
18	Clip shelf large	623625			08
19	Vegetable bin	690834			08
20	Latch bottom	624001			27
21	Hinge plate				
22	Door bin curved wide	690824			08
23	Bottle retainer	626989			12
24	Door bin curved shallow	690823			08
25	Shelf food retainer	691188			08

* With a request for information or service, always provide the serial number of the refrigerator. The serial number is the code below the barcode on the identification label.

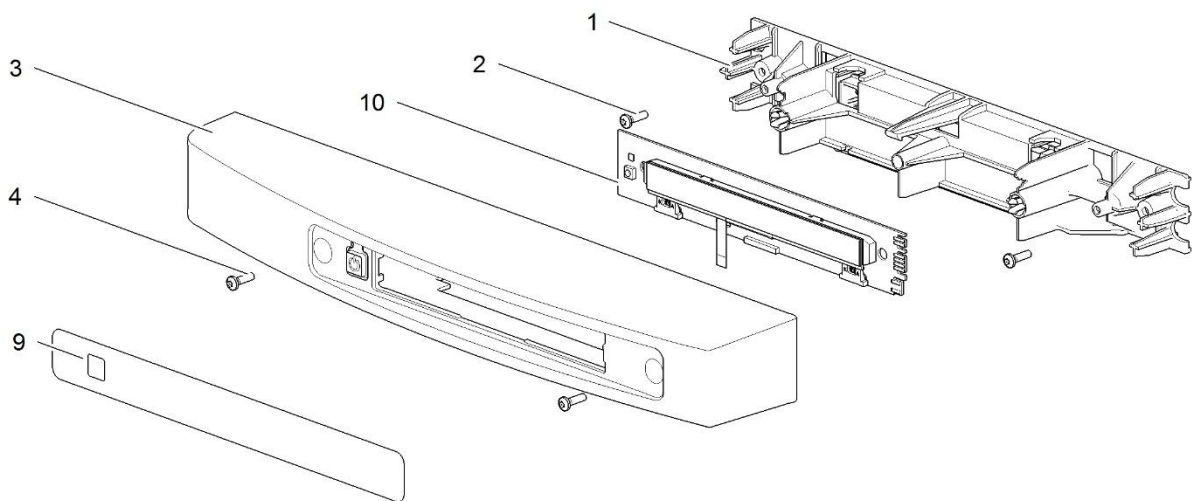
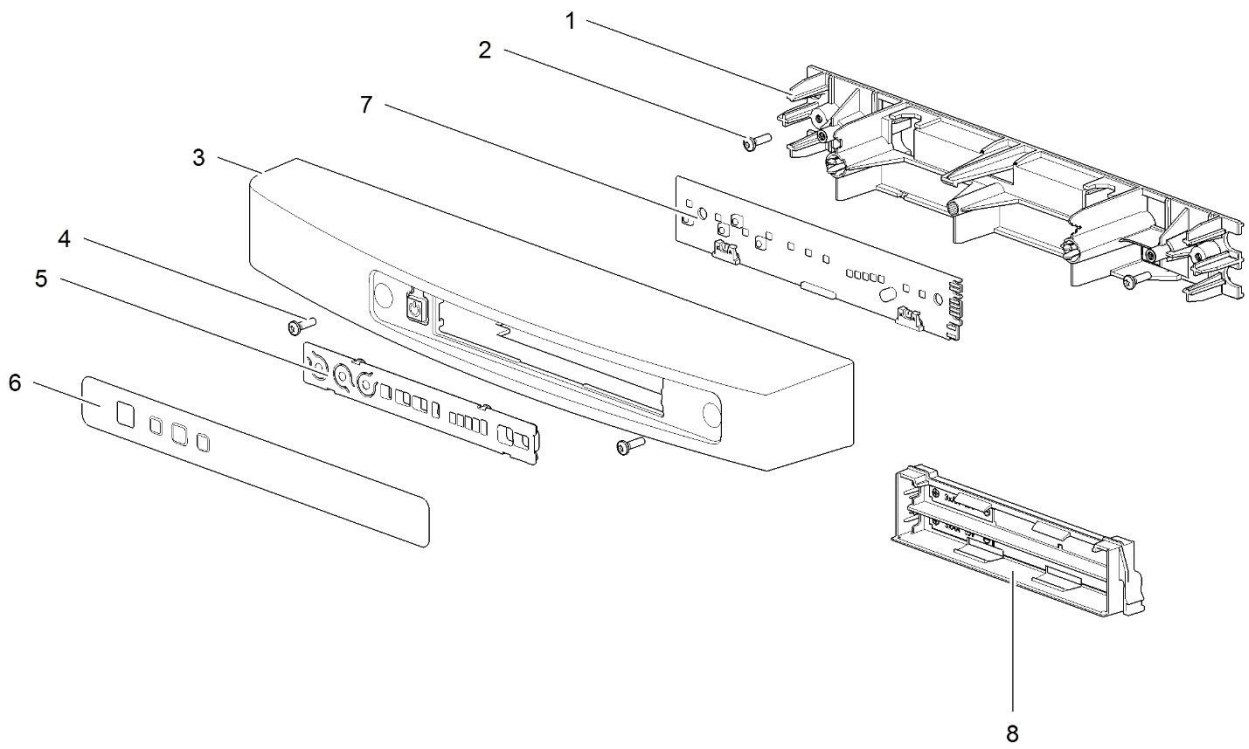
**

62698527



69173927





LE1005_Control Panel-curved525

		Spare part number	Spare part number	Spare part number	Colours available
1	Technical panel curved ^{1/2}	690825			
2	Screws				
3	Housing curved ^{1/2}				
	right hinged	690826			07, 27
	left hinged	690827			27, 136
4	Screws				
5	Overlay LED		691105		
6	Sticker LED	691106			
7	PCB LED DM			691126	
	≥ 20-06-2015 (E171S.....)				
	< 20-06-2015 (E171S.....)	691138			
		<i>LED version kit³</i>			
8	Battery hatch				
	Battery pack	690225			27
9	Sticker LCD	691110			
10	PCB LCD DM		691108		
	≥ 20-06-2015 (E171S.....)				
	< 20-06-2015 (E171S.....)	691139			
		<i>LCD version kit⁴</i>			

¹ Order also spare part 'Sticker LED' (#6) with this spare part number for a LED-version

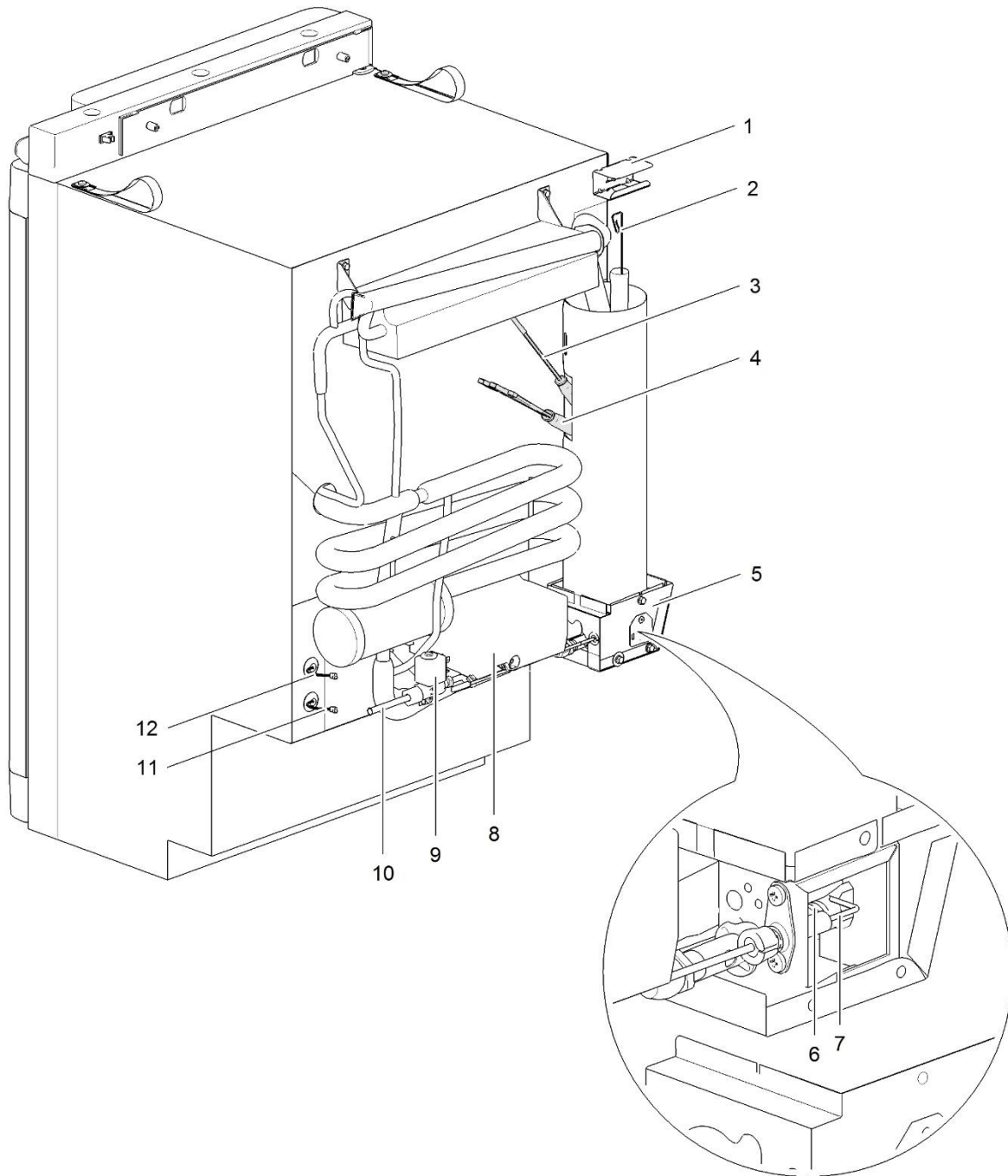
² Order also spare part 'Sticker LCD' (#9) with this spare part number for a LCD-version

³ LED version kit contains:

- Power control board
- PCB LED display module
- Sticker LED
- Overlay LED
- Conversion cable

⁴ LCD version kit contains:

- Power control board
- PCB LCD display module
- Sticker LCD
- Conversion cable



LE997_N3080-N3090-N3097-N3108-N3112-N3115-back_0913-V04

		Spare part number	Spare part number	Colours available
1	Heat cap	690812		
2	Heat diffuser	690878		
3	Heater AC	633575		
4	Heater DC	633574		
5	Heater box			
6	Burner assembly	634570		
7	Spark electrode	690813		
8	Power control board			
	< 20-06-2015 (E171S.....)	691138 <i>LED version kit¹</i>	691139 <i>LCD version kit²</i>	
	≥ 20-06-2015 (E171S.....)	692247	(old SR 691101 is not available any more)	
9	Gas valve	690810		
10	Gas pipe			
11	Thermistor cable			
	Loose connector temperature <i>power board side</i>	690855	690853	
12	Communication cable			
	Loose connector communication	690856	690854	

¹ LED version kit contains:

- Power control board
- PCB LED display module
- Sticker LED
- Overlay LED
- Conversion cable

² LCD version kit contains:

- Power control board
- PCB LCD display module
- Sticker LCD
- Conversion cable