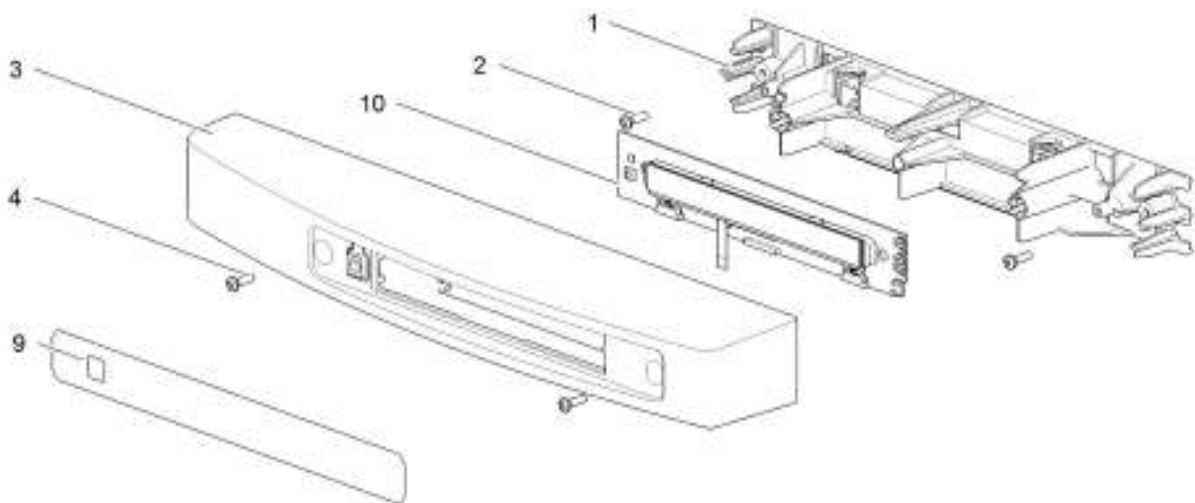
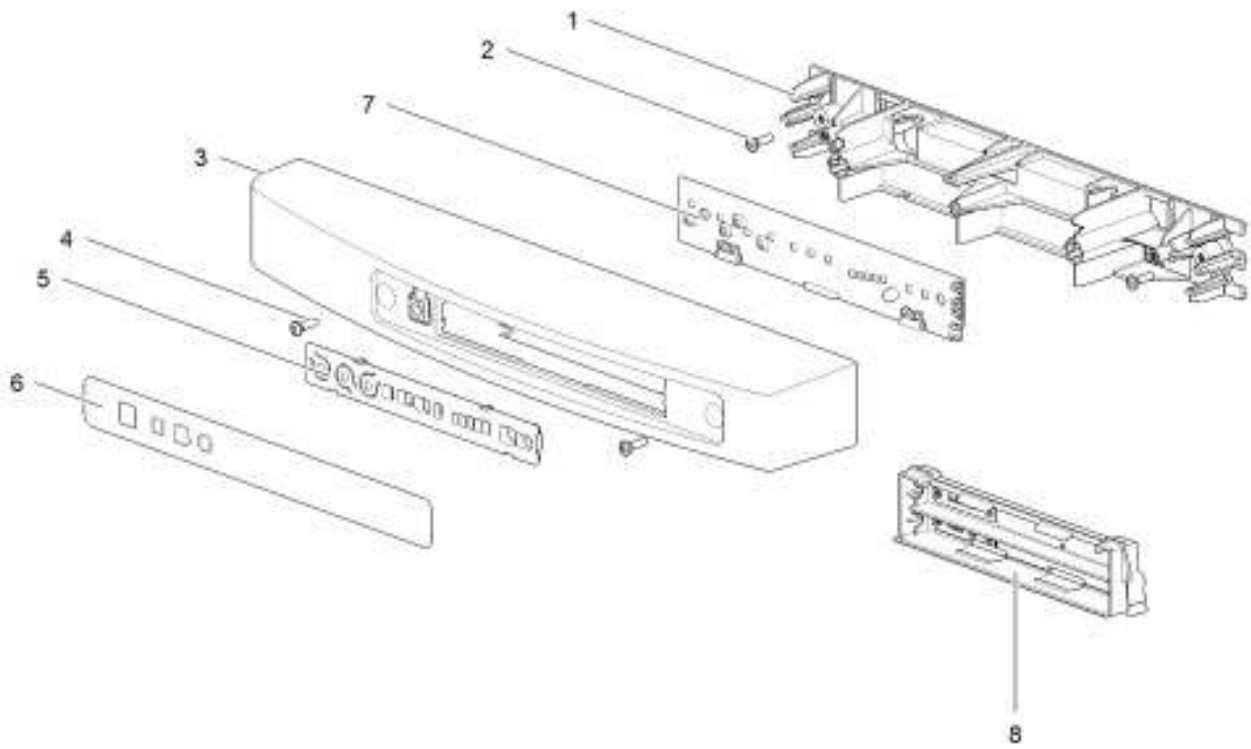


17*



		Spare part number	Spare part number	Colours available
1	Latch		626985	07, 27, 136
2	Storage strap (2x)	626986		27
3	Strike plate			
4	Pocket cover			
5	Freezer door		690852	
	Hinge freezer door (2x)	624680		08
6	Hinge plate			
7	Cap (2x)	623622		08
8	Control panel	<i>Refer to page 34</i>		
9	Mounting box			
10	Ice cube tray			
11	Cap freezer bolt (12x)	624479		08
12	Fin			
13	Fin clip (3x)	623059		
14	Thermistor	623077		
15	Shelf 455 x 133	690815		08
16	Clip shelf small	623626		08
17	Identification label *			
18	Shelf 454 x 220	690828		08
19	Clip shelf large	623625		08
20	Vegetable bin	690829		08
21	Latch bottom	624001		27
22	Hinge plate			
23	Door bin curved wide	690824		08
24	Bottle retainer	626989		12
25	Door bin curved shallow	690823		08
26	Shelf food retainer	691188		08

* With a request for information or service, always provide the serial number of the refrigerator. The serial number is the code below the barcode on the identification label.



		Spare part number	Spare part number	Spare part number	Colours available
1	Technical panel curved ^{1/2}	690825			
2	Screws				
3	Housing curved ^{1/2}				
	right hinged	690826			07, 27, 136
	left hinged	690827			07, 27, 136
4	Screws				
5	Overlay LED		691105		
6	Sticker LED	691106			
7	PCB LED DM			691126	
	≥ 20-06-2015 (E171S.....)				
	< 20-06-2015 (E171S.....)	691138			
		<i>LED version kit³</i>			
8	Battery hatch				
	Battery pack	690225			07, 27
9	Sticker LCD	691110			
10	PCB LCD DM		691108		
	≥ 20-06-2015 (E171S.....)				
	< 20-06-2015 (E171S.....)	691139			
		<i>LCD version kit⁴</i>			

¹ Order also spare part 'Sticker LED' (#6) with this spare part number for a LED-version

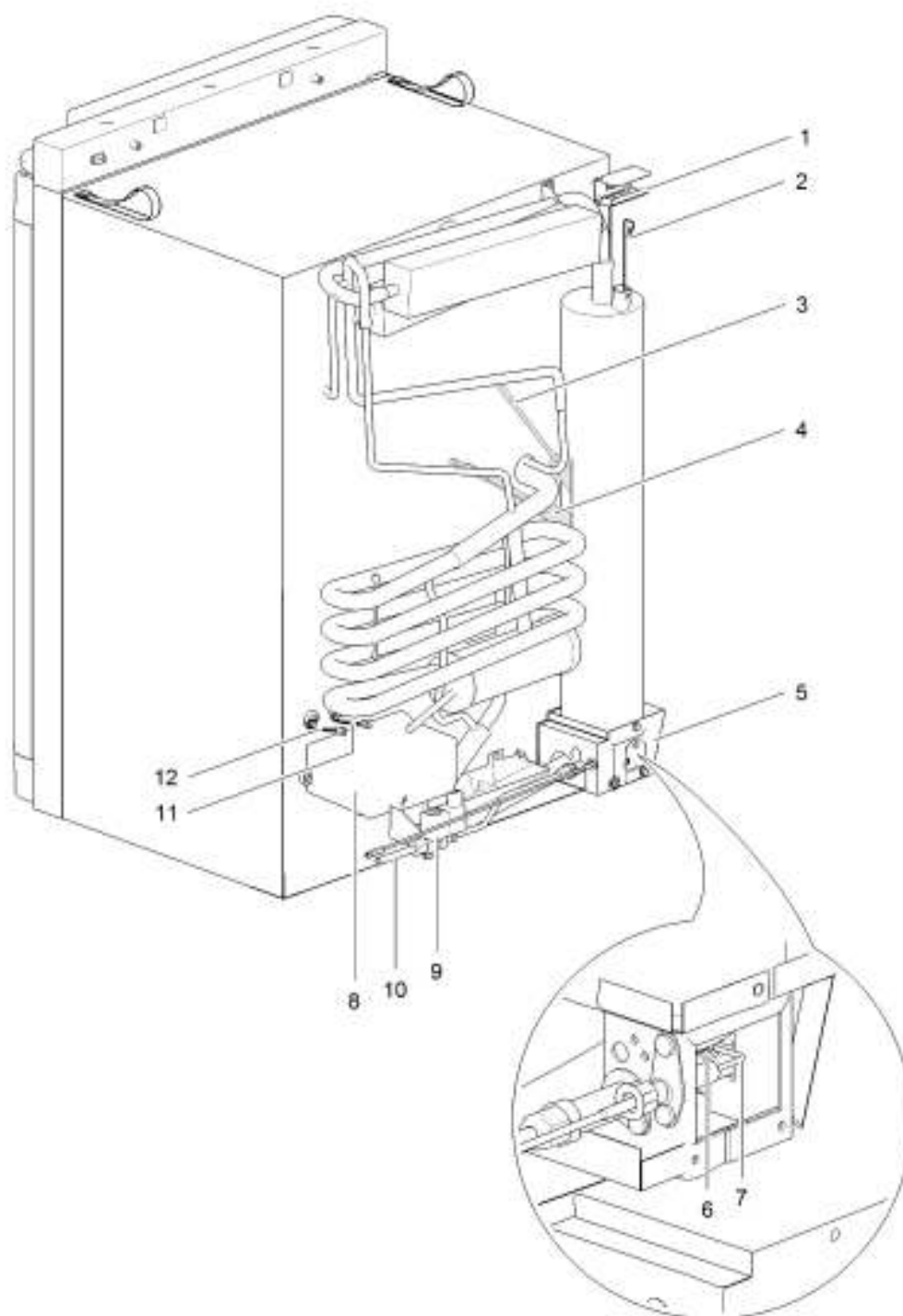
² Order also spare part 'Sticker LCD' (#9) with this spare part number for a LCD-version

³ LED version kit contains:

- Power control board
- PCB LED display module
- Sticker LED
- Overlay LED
- Conversion cable

⁴ LCD version kit contains:

- Power control board
- PCB LCD display module
- Sticker LCD
- Conversion cable



LEBBS N3100-N3104-Back_0313-100

		Spare part number	Spare part number	Colours available
1	Heat cap	690812		
2	Heat diffuser			
3	Heater AC	633575		
4	Heater DC	633574		
5	Heater box			
6	Burner assembly	623019		
7	Spark electrode	690830		
8	Power control board			
	< 20-06-2015 (E171S.....)	691138 <i>LED version kit¹</i>	691139 <i>LCD version kit²</i>	
	≥ 20-06-2015 (E171S.....)	691101		
9	Gas valve	690810		
10	Gas pipe			
11	Thermistor cable			
	Loose connector temperature <i>power board side</i>	690855	690853	
12	Communication cable			
	Loose connector communication	690856	690854	

¹ LED version kit contains:

- Power control board
- PCB LED display module
- Sticker LED
- Overlay LED
- Conversion cable

² LCD version kit contains:

- Power control board
- PCB LCD display module
- Sticker LCD
- Conversion cable