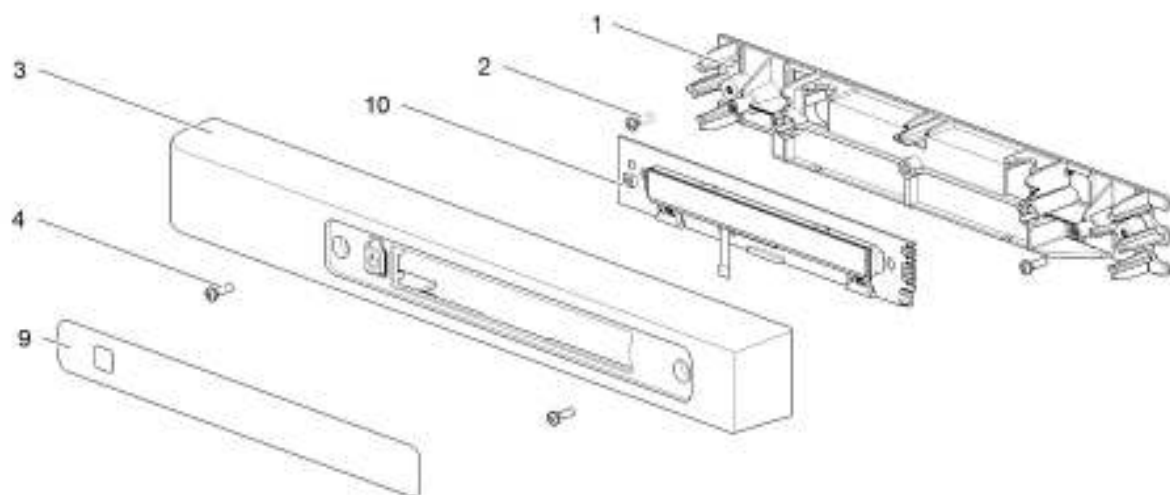
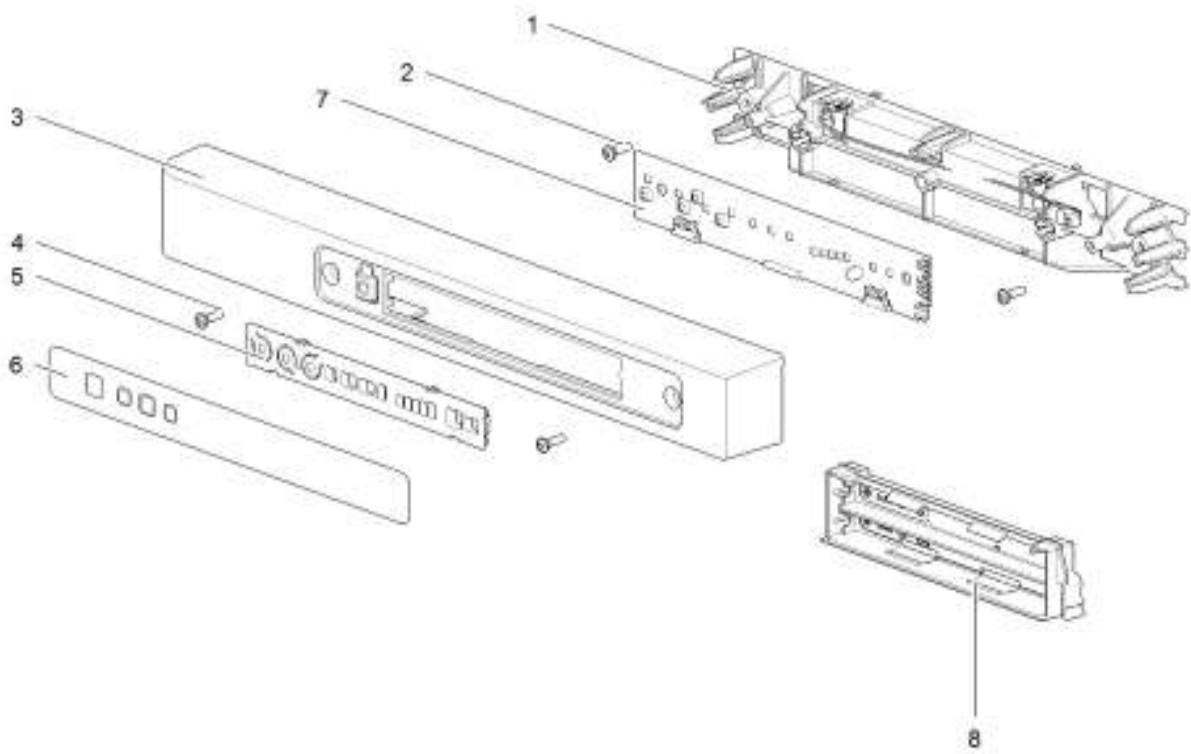


17*



		Spare part number	Spare part number	Spare part number	Colours available
1	Latch				07, 27, 136
2	Storage strap (2x)	626986	626985	691468 ≥ 31-06-2016 (E151T.....)	27
3	Strike plate				
4	Pocket cover				
5	Freezer door		690852		
	Hinge freezer door (2x)	624680			08
6	Hinge plate				
7	Cap (2x)	623622			08
8	Control panel	<i>Refer to page 32</i>			
9	Mounting box				
10	Ice cube tray				
11	Cap freezer bolt (12x)	624479			08
12	Fin				
13	Fin clip (3x)	623059			
14	Shelf 455 x 133	690815			08
15	Clip shelf small	623626			08
16	Thermistor	623077			
17	Identification label *				
18	Shelf 454 x 220	690828			08
19	Clip shelf large	623625			08
20	Vegetable bin	690829			08
21	Latch bottom	624001			27
22	Hinge plate				
23	Door bin flat wide	690818			08
24	Bottle retainer	626989			12
25	Door bin flat shallow	690817			08
26	Shelf food retainer	691188			08

* With a request for information or service, always provide the serial number of the refrigerator. The serial number is the code below the barcode on the identification label.



		Spare part number	Spare part number	Spare part number	Colours available
1	Technical panel flat ^{1/2}	690806			
2	Screws				
3	Housing flat ^{1/2}				
	right hinged flat door 10 mm ≥ 31-05-2016 (E151T.....)	691463			
	right hinged	690819			07, 27, 136
	left hinged	690820			07, 27, 136
	left hinged flat door 10 mm ≥ 31-05-2016 (E151T.....)	691464			
4	Screws				
5	Overlay LED		691105		
6	Sticker LED	691106			
7	PCB LED DM			691126	
	≥ 20-06-2015 (E171S.....)				
	< 20-06-2015 (E171S.....)	691138			
		<i>LED version kit³</i>			
8	Battery hatch				
	Battery pack	690225			07, 27
9	Sticker LCD	691110			
10	PCB LCD DM		691108		
	≥ 20-06-2015 (E171S.....)				
	< 20-06-2015 (E171S.....)	691139			
		<i>LCD version kit⁴</i>			

¹ Order also spare part 'Sticker LED' (#6) with this spare part number for a LED-version

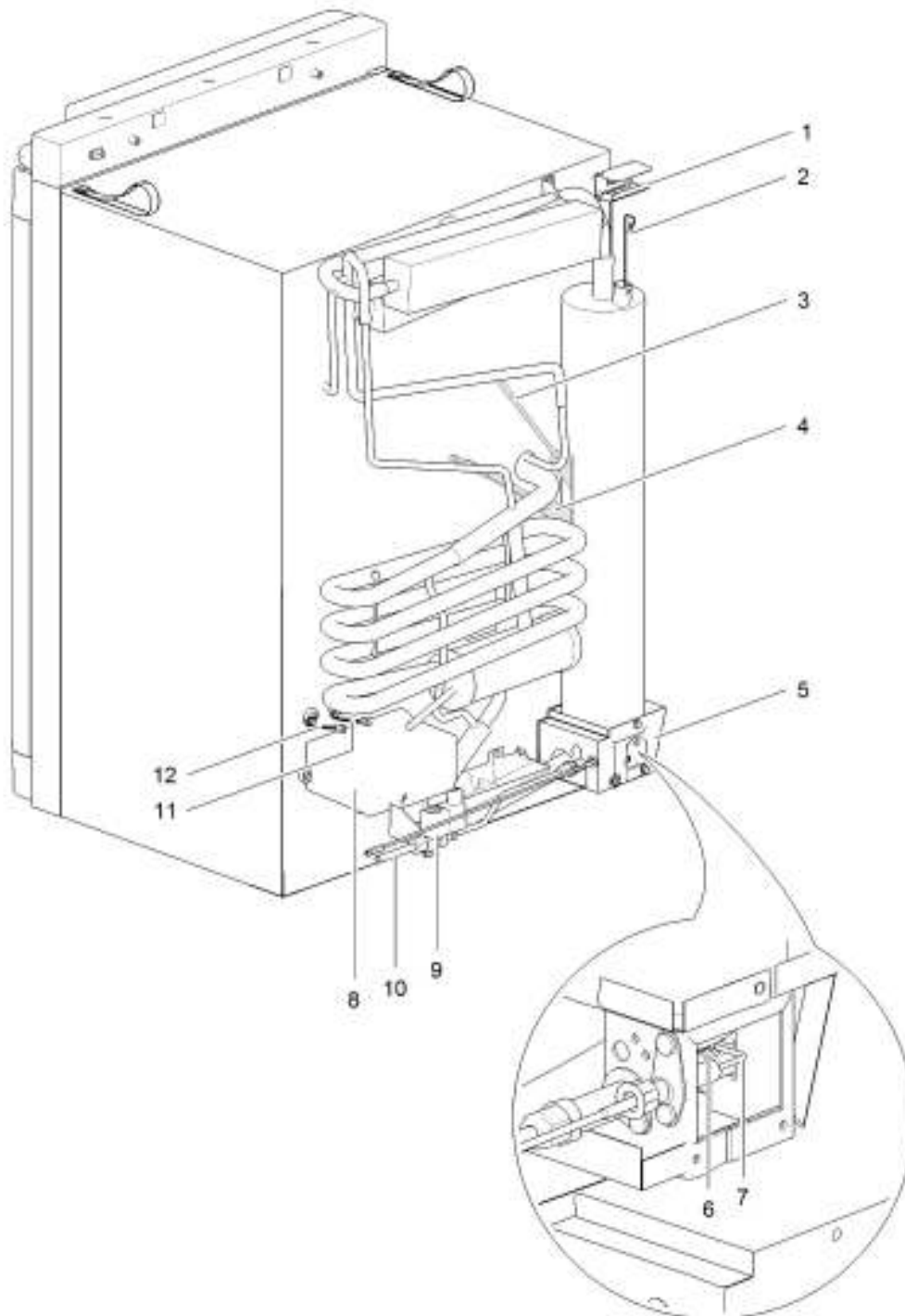
² Order also spare part 'Sticker LCD' (#9) with this spare part number for a LCD-version

³ *LED version kit* contains:

- Power control board
- PCB LED display module
- Sticker LED
- Overlay LED
- Conversion cable

⁴ *LCD version kit* contains:

- Power control board
- PCB LCD display module
- Sticker LCD
- Conversion cable



LEBBS N3100-N3104-Back_0313-100

		Spare part number	Spare part number	Colours available
1	Heat cap	690812		
2	Heat diffuser			
3	Heater AC	633575		
4	Heater DC	633574		
5	Heater box			
6	Burner assembly	623019		
7	Spark electrode	690830		
8	Power control board			
	< 20-06-2015 (E171S.....)	691138 <i>LED version kit¹</i>	691139 <i>LCD version kit²</i>	
	≥ 20-06-2015 (E171S.....)	691101		
9	Gas valve	690810		
10	Gas pipe			
11	Thermistor cable			
	Loose connector temperature <i>power board side</i>	690855	690853	
12	Communication cable			
	Loose connector communication	690856	690854	

¹ LED version kit contains:

- Power control board
- PCB LED display module
- Sticker LED
- Overlay LED
- Conversion cable

² LCD version kit contains:

- Power control board
- PCB LCD display module
- Sticker LCD
- Conversion cable