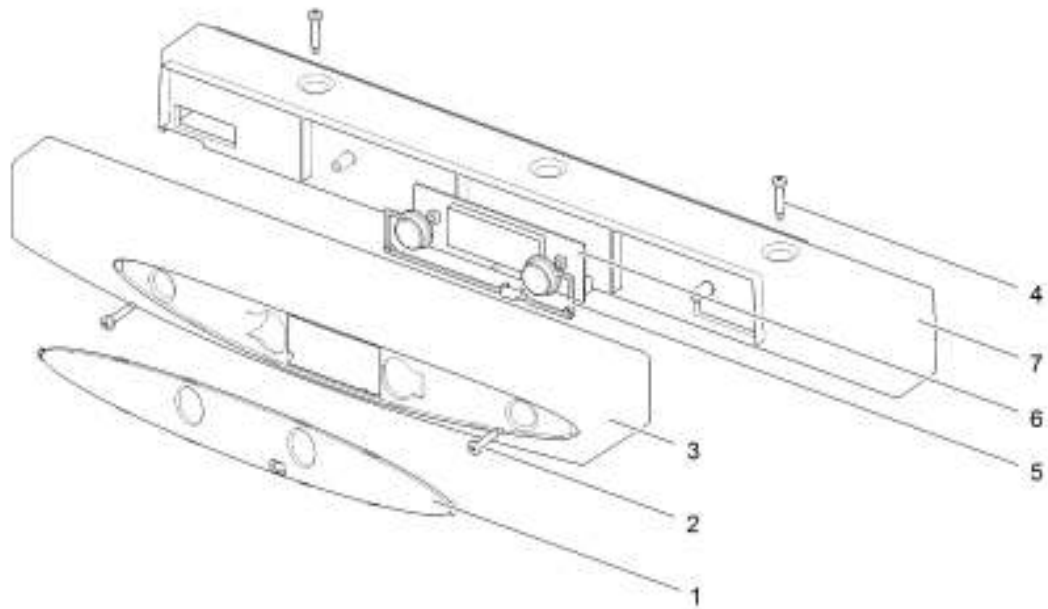
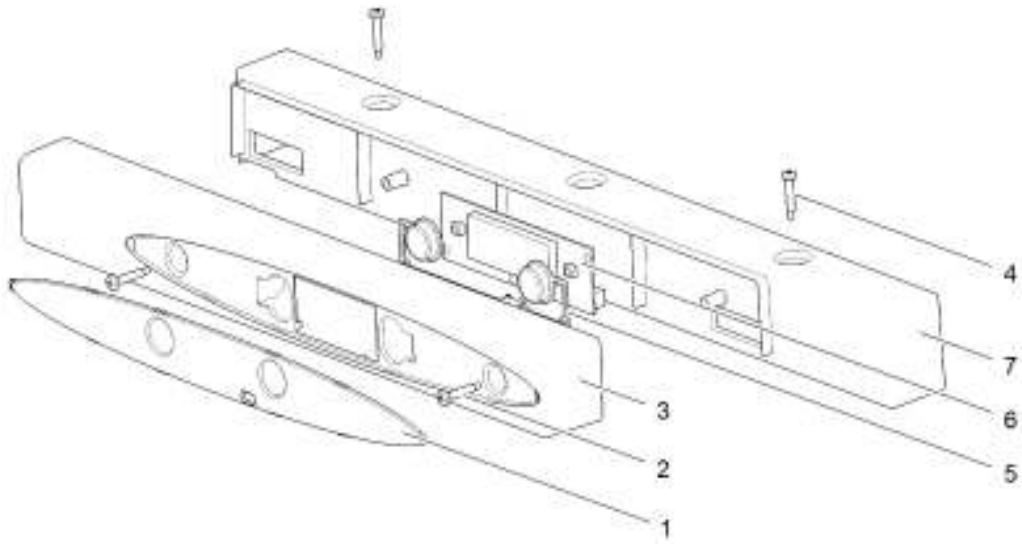


LE1003_N145-kom_1014-V01

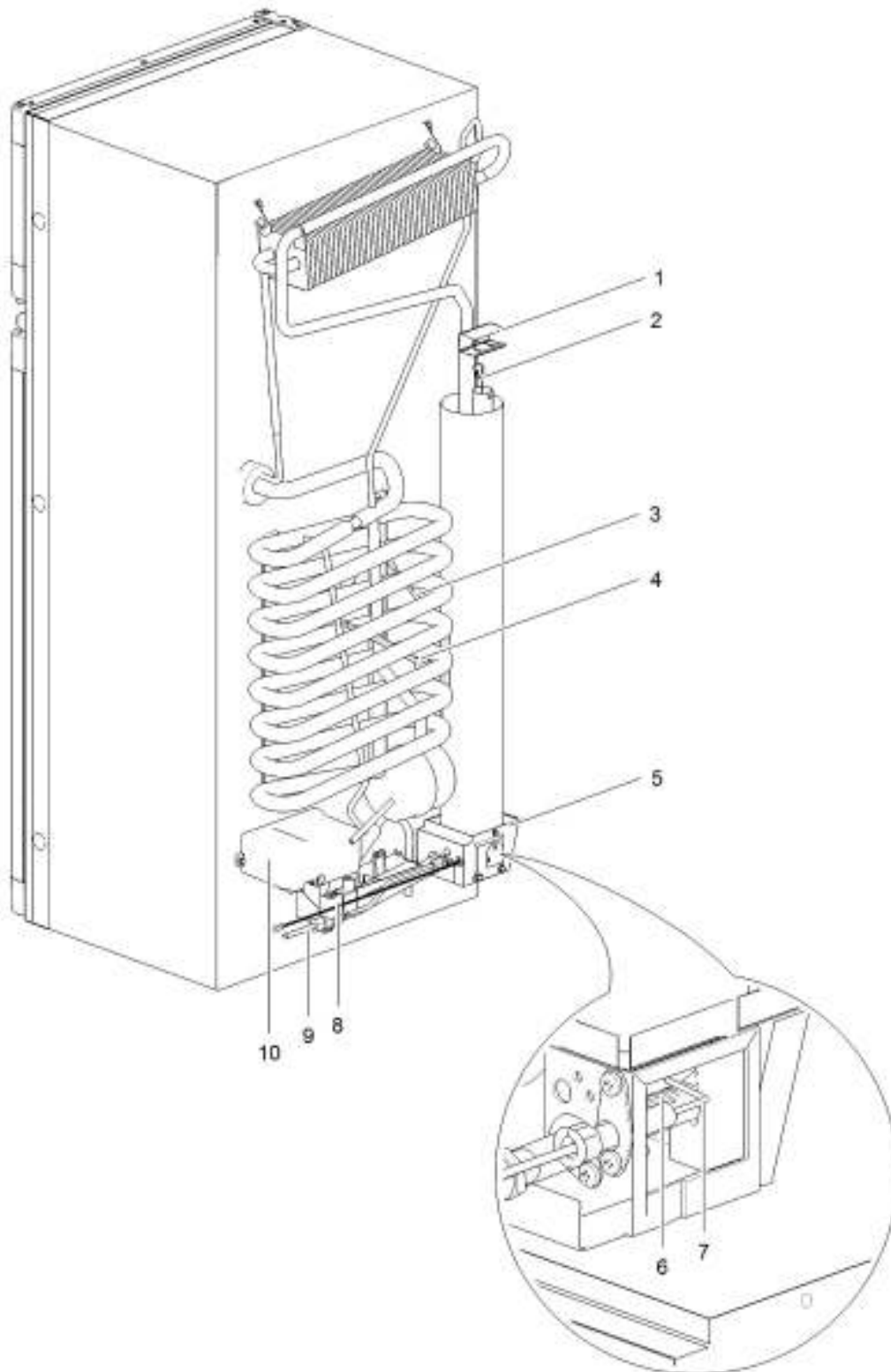
		Spare part number	Spare part number	Colours available
1	Storage strap	626986	626985	27
2	Latch			07, 27, 136
3	Strike plate			
4	Pocket cover			
5	Hinge center			
6	Hinge plate			
7	Cap (2x)	623622		08
8	Cap freezer bolt (12x)	624479		08
9	Shelf	623633		08
10	Ice cube tray			
11	Control panel	<i>Refer to page 22</i>		
12	Interior light bulb	624003		
13	Interior light cover	624002		
14	Fin			
15	Shelf 428.5 x 143.1	623044		08
16	Clip shelf large	623625		08
17	Fin clip (3x)	623059		
18	Thermistor	623077		
19	Shelf food retainer	624456		08
20	Identification label *			
21	Shelf 427.5 x 203.3	623045		08
22	Clip shelf large	623625		08
23	Shelf tray insert 371.3 x 183	623636		12
24	Flip top cover	623616		
25	Vegetable bin	623619		
26	Hinge pin			
27	Latch bottom	624001		27
28	Hinge plate			
29	Door bin			
30	Bottle retainer	623042		12
31	Door bin	690804		08

* With a request for information or service, always provide the serial number of the refrigerator. The serial number is the code below the barcode on the identification label.



		Spare part number	Spare part number	Colours available
1	Overlay			
	Electric version	626975		
	Automatic version	631737		
2	Screw			
3	Control panel			
	Flat	626974		07, 27
	Curved	626973		07, 27
4	Screw			
5	Push buttons			
6	Display board LCD	626972		
7	Mounting box*			

* not for N145, N150 and N175



LE1101_N145-N175-back_0013-A101

		Spare part number	Spare part number	Colours available
1	Heat cap	690839		
2	Heat diffuser			
3	Heater AC			
	< 28/05/2009 (E148K.....)	626992		
	≥ 28/05/2009 (E148K.....)	633573		
4	Heater DC			
	< 05/12/2007 (E339G.....)	626993		
	05/12/2007 - 28/05/2009	631752		
	≥ 28/05/2009 (E148K.....)	633572		
5	Heater box			
6	Burner assembly	623058		
7	Spark electrode	626987		
8	Gas valve			
	< 27/09/2006 (E270F.....)	631248		
	≥ 27/09/2006 (E270F.....)	630440		
9	Gas pipe			
10	Power control board			
	Electric	691136		
	Automatic	691137		