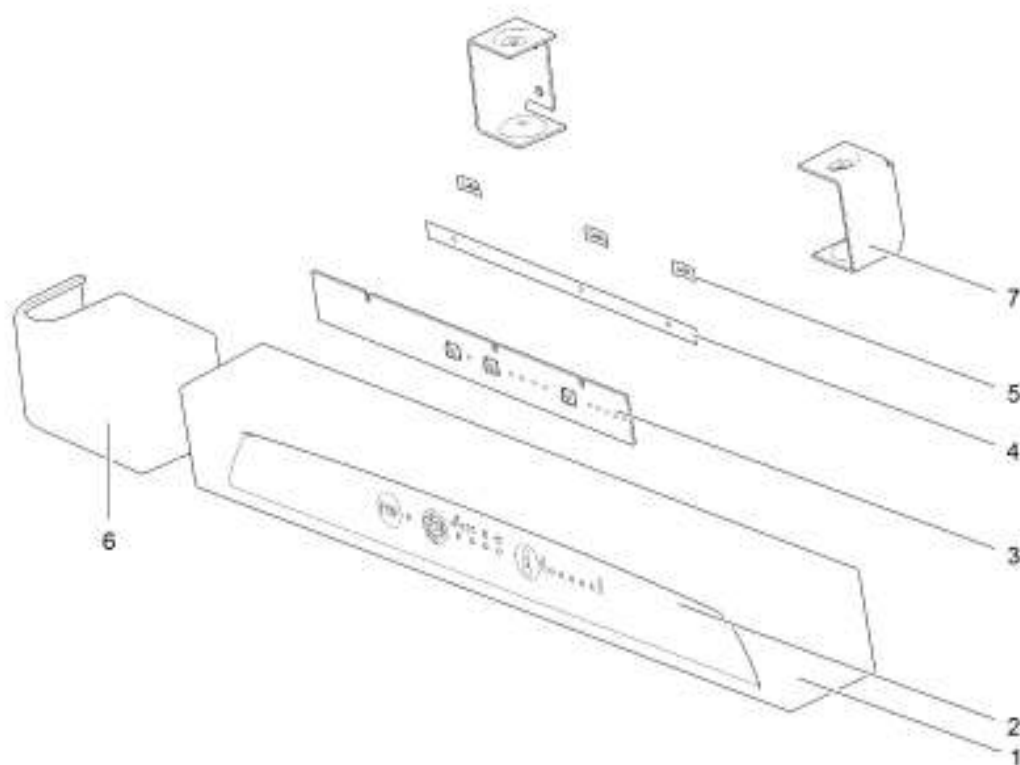


LE1114_N145LED-front_1214-v014

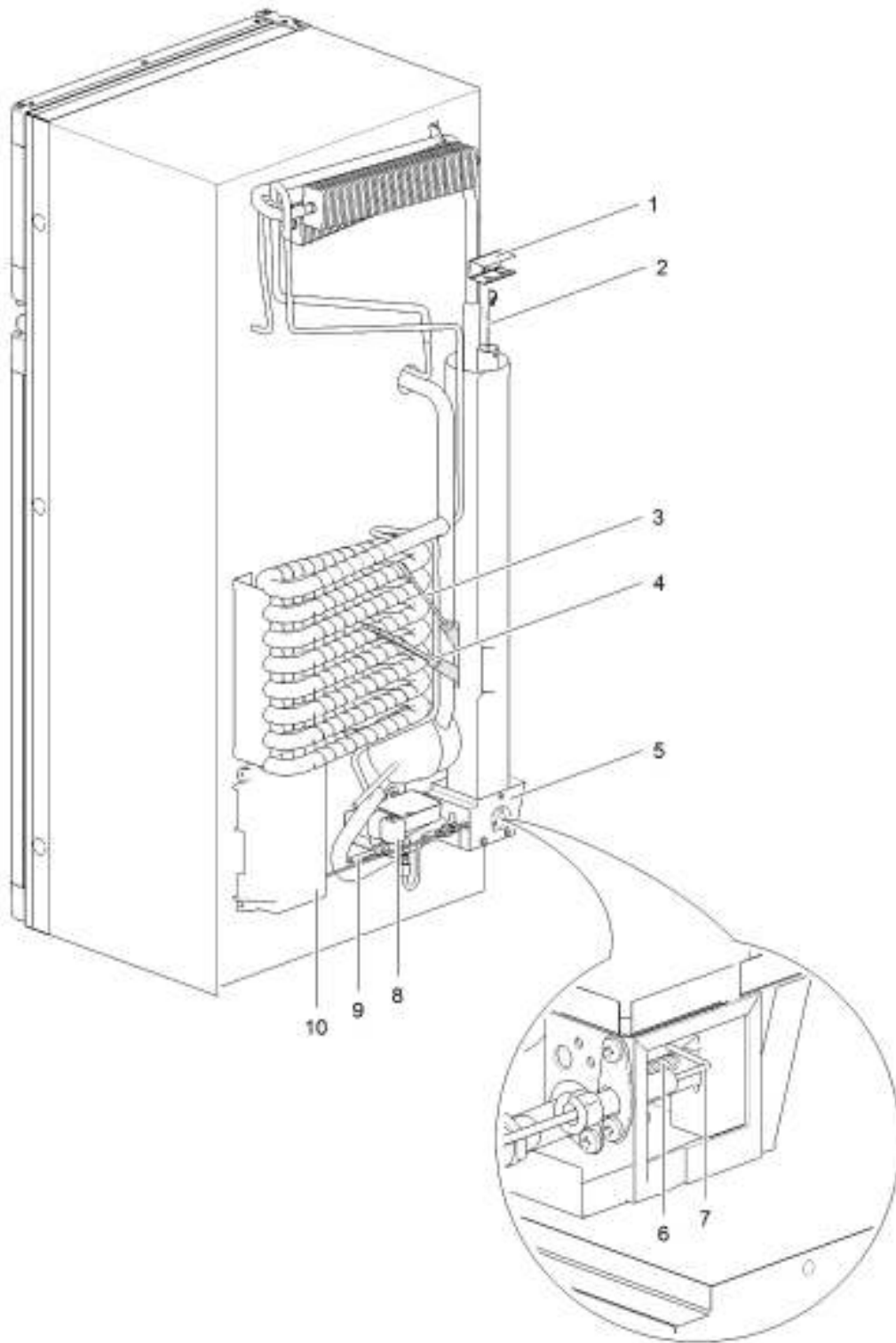
		Spare part number	Spare part number	Colours available
1	Latch		626985	07, 27, 136
2	Storage strap (2x)	626986		27
3	Strike plate			
4	Pocket cover			
5	Cover center hinge			
6	Center hinge plate			
7	Hinge plate			
8	Cap (2x)	623622		08
9	Cap freezer bolt (12x)	624479		08
10	Shelf 405 x 188.5	623633		08
11	Ice cube tray			
12	Control panel	<i>Refer to page 28</i>		
13	Interior light bulb	624003		
14	Interior light cover	624002		
15	Fin			
16	Shelf 428.5 x 143.1	623044		08
17	Clip shelf small	623626		08
18	Fin clip (3x)	623059		
19	Thermistor	623077		
20	Shelf food retainer	624456		08
21	Shelf 427.5 x 203.3	623045		08
22	Identification label *			
23	Clip shelf large	623625		08
24	Shelf tray insert 371.3 x 183	623636		12
25	Hinge pin			
26	Flip top cover	623616		
27	Vegetable bin	623619		08
28	Latch bottom	624001		27
29	Hinge plate			
30	Door bin (2x)	690804		08
31	Bottle retainer	623042		12
32	Door bin			

* With a request for information or service, always provide the serial number of the refrigerator. The serial number is the code below the barcode on the identification label.



		Spare part number	Spare part number	Colours available
1	Control panel			
2	Overlay			
3	Display board LED V2*			
4	Insulator			
5	Push on nut			
6	Cover center hinge			
7	Bracket			

* Contact Thetford for information on this spare part



LE1115_N145_LED-back_09(13-007)

		Spare part number	Spare part number	Colours available
1	Heat cap			
2	Heat diffuser			
3	Heater AC			
	< 17/01/2005 (E017E.....)	623074		
	≥ 17/01/2005 (E017E.....)	626990		
4	Heater DC			
	< 17/01/2005 (E017E.....)	623075		
	≥ 17/01/2005 (E017E.....)	626991		
5	Burner box			
6	Burner	623058		
7	Spark electrode	623076		
8	Gas valve	624022		
9	Gas pipe			
10	Power control board V2			