

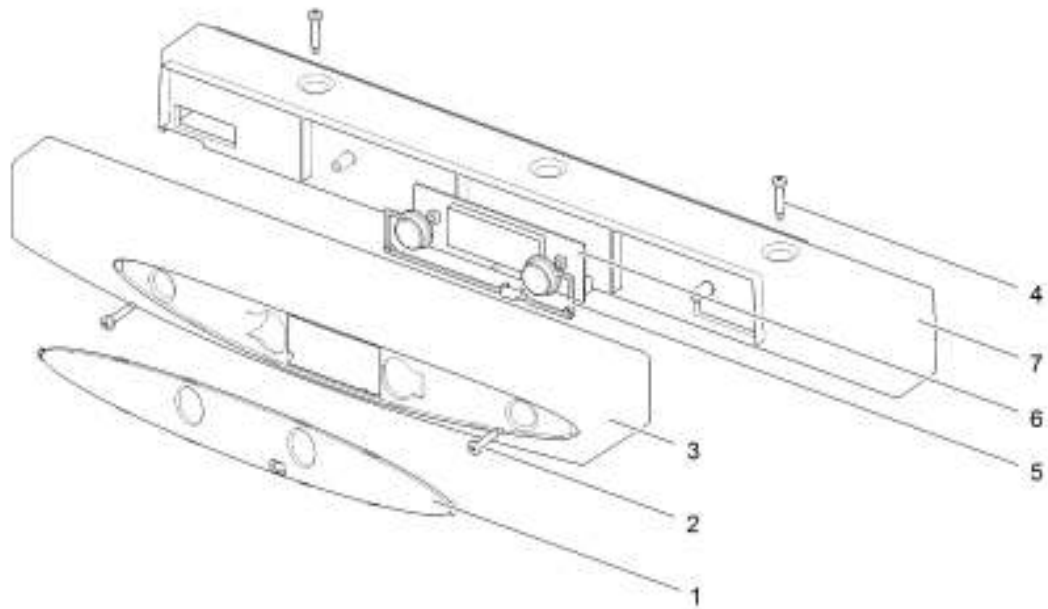
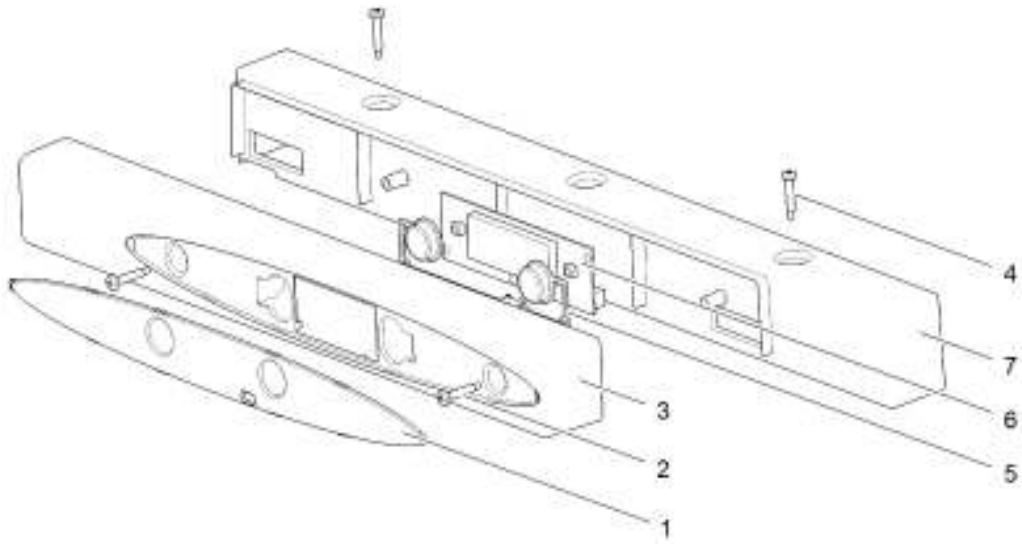
21\*



LE1002\_N112 front\_0614.rpd

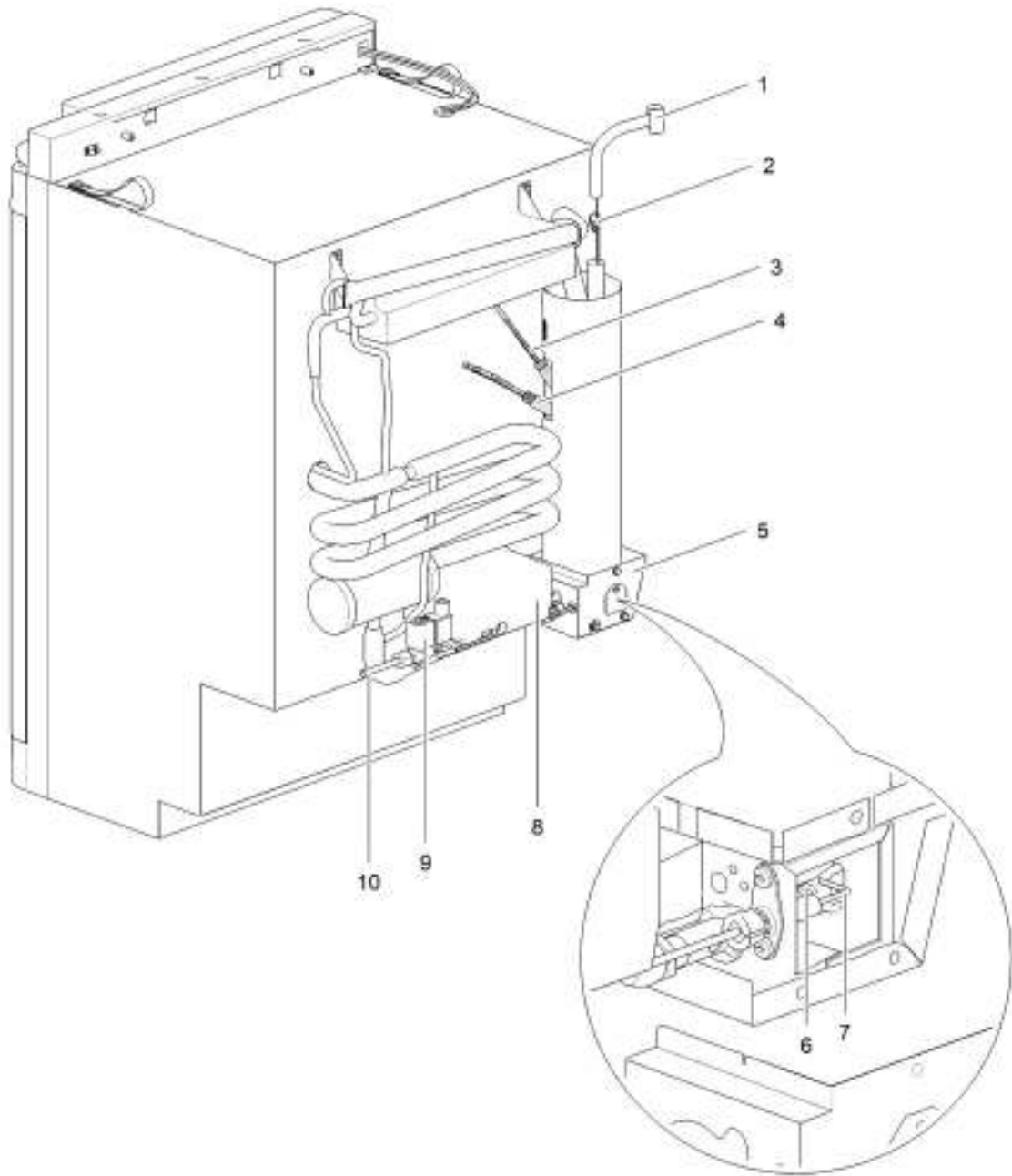
		Spare part number	Spare part number	Colours available
1	Latch		626985	07, 27, 136
2	Storage strap	626986		27
3	Strike plate			
4	Pocket cover			
5	Freezer door		690852	
	Hinge freezer door (2x)	624680		08
6	Hinge plate			
7	Interior light switch	623061		
8	Cap (2x)	623622		08
9	Control panel	<i>Refer to page 22</i>		
10	Mounting box	<i>Refer to page 22</i>		
11	Ice cube tray			
12	Cap freezer bolt (12x)	624479		08
13	Fin			
14	Interior light bulb	624003		
15	Interior light cover	624002		
16	Fin clip (3x)	623059		
17	Thermistor	623077		
18	Shelf 453.8 x 205	623051		08
19	Shelf food retainer	624456		08
20	Clip shelf small	623626		08
21	Identification label *			
22	Shelf 453.8 x 180	626643		08
23	Clip shelf large	623625		08
24	Hinge pin			
25	Shelf tray insert 403 x 192	623635		12
26	Top cover	626641		12
27	Vegetable bin	623617		
28	Latch bottom	624001		27
29	Hinge plate			
30	Door bin	623053		12
31	Bottle retainer	623042		12
32	Door bin	624025		12

\* With a request for information or service, always provide the serial number of the refrigerator. The serial number is the code below the barcode on the identification label.



		Spare part number	Spare part number	Colours available
1	Overlay			
	Electric version	626975		
	Automatic version	631737		
2	Screw			
3	Control panel			
	Flat	626974		07, 27
	Curved	626973		07, 27
4	Screw			
5	Push buttons			
6	Display board LCD	626972		
7	Mounting box*			

\* not for N145, N150 and N175



LE1097\_1800MST\_Av12-back\_2013-V01

		Spare part number	Spare part number	Colours available
1	Flue exhaust			
	Short	627008		
	Long	624480		
2	Heat diffuser			
3	Heater AC			
	< 12/05/2009 (E132K.....)	626994		
	≥ 12/05/2009 (E132K.....)	633575		
4	Heater DC			
	< 12/05/2009 (E132K.....)	626995		
	≥ 12/05/2009 (E132K.....)	633574		
5	Heater box			
6	Burner assembly	623019		
7	Spark electrode	626988		
8	Power control board			
	Electric	691136		
	Automatic	691137		
9	Gas valve			
	< 25/09/2006 (E268F.....)	631249		
	≥ 25/09/2006 (E268F.....)	630440		
10	Gas pipe			