

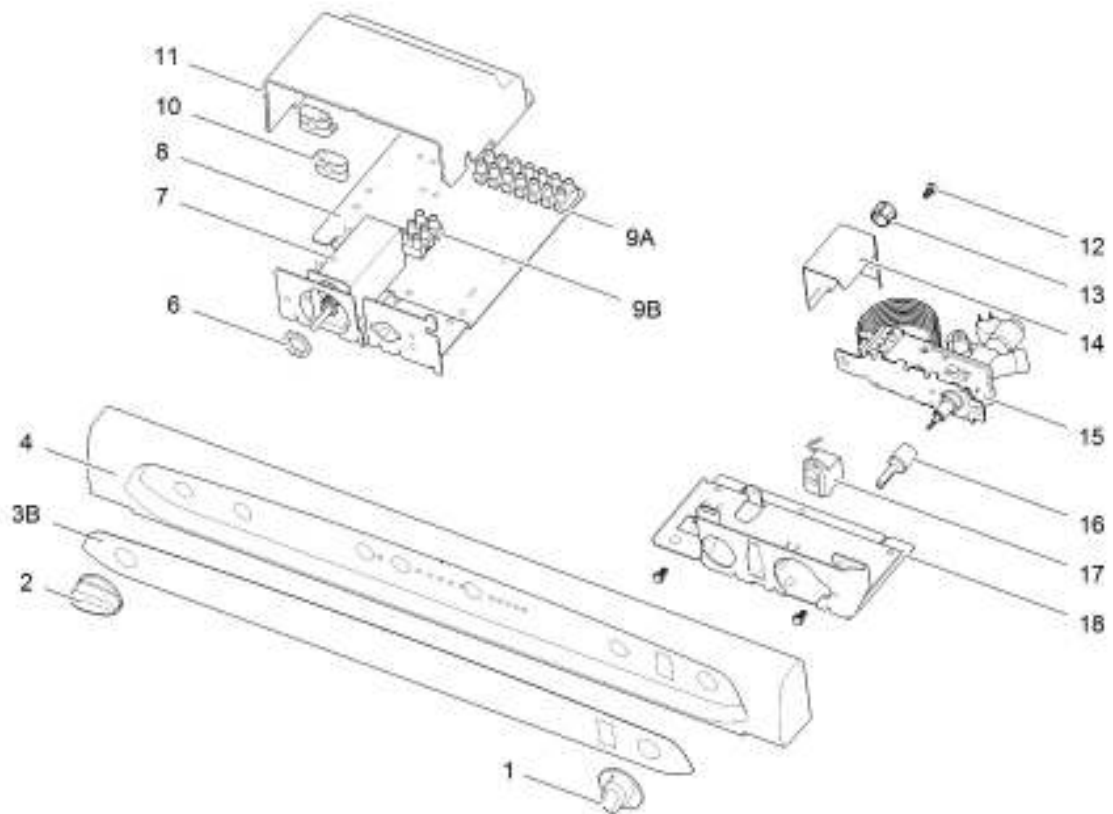
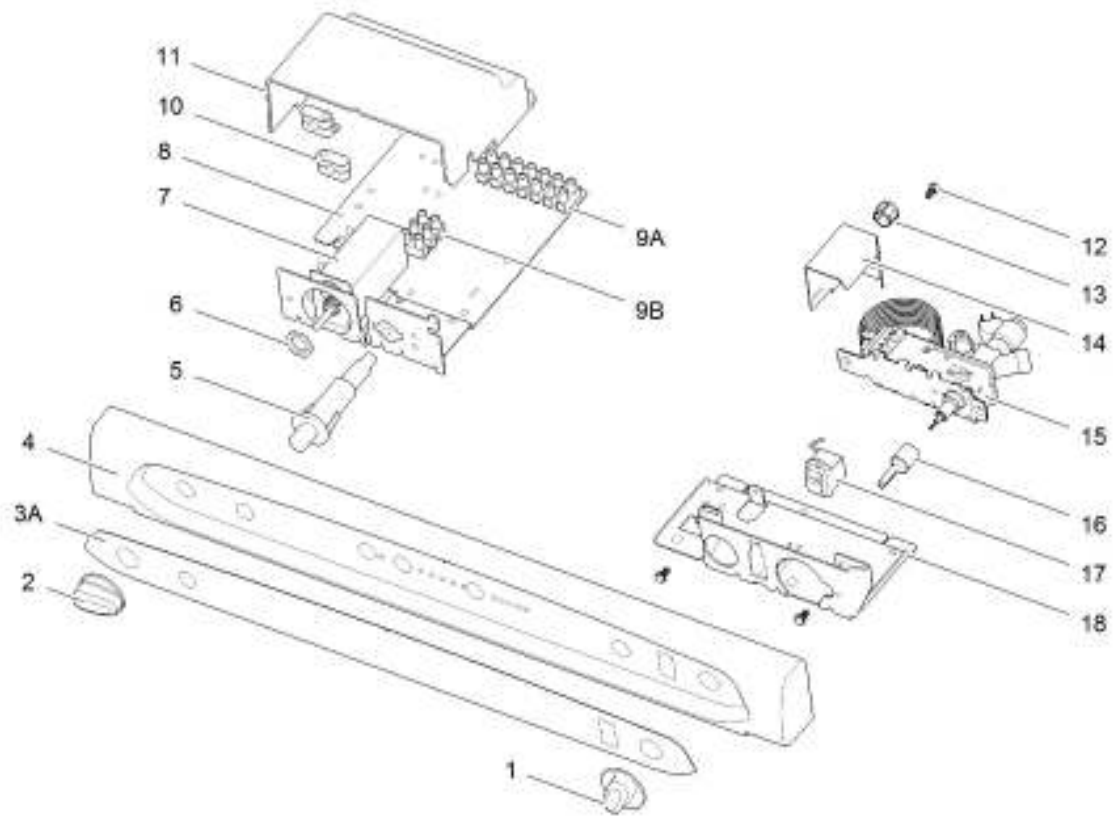
18*



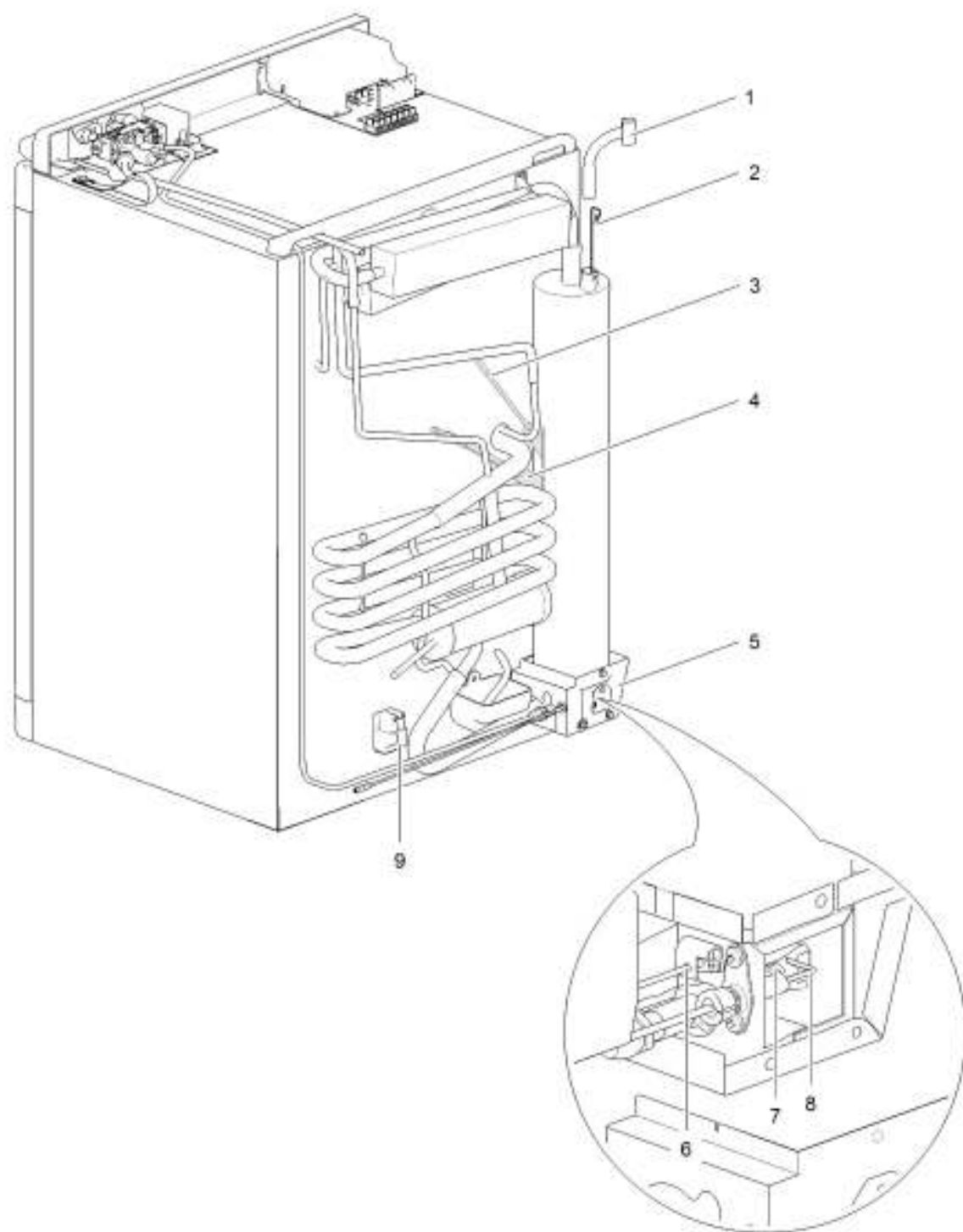
LE1074_N104-N110-0308

		Spare part number	Spare part number	Spare part number	Colours available
1	Latch V1 N104		623024		07
	Latch V1 N110 < 01/07/2005			627007	90
	Latch V2 ≥ 01/07/2005			626985	07, 27, 136
2	Storage strap V1 < 01/07/2005	624679			27
	Storage strap V2 ≥ 01/07/2005	626986			27
3	Strike plate				
4	Pocket cover				
5	Freezer door		690852		
	Hinge freezer door	624680			08
6	Hinge plate				
7	Interior light switch	623018			08
8	Cap (2x)	623622			08
9	Control panel	<i>Refer to page 24</i>			
10	Ice cube tray				
11	Cap freezer bolt (12x)	624479			08
12	Fin				
13	Interior light bulb	624003			
14	Interior light cover	624002			
15	Fin clip (3x)	623023			
16	Shelf 455 x 118.2	623047			08
17	Clip shelf small	623626			08
18	Identification label *				
19	Shelf 455 x 212.3	623055			08
20	Clip shelf large	623625			08
21	Shelf food retainer	624456			08
22	Shelf tray insert 403 x 192	623635			12
23	Hinge pin				
24	Flip top cover	623615			
25	Vegetable bin	623618			08
26	Latch bottom	624001			27
27	Hinge plate				
28	Door bin	623053			12
29	Bottle retainer	623042			12
30	Door bin	624025			12

* With a request for information or service, always provide the serial number of the refrigerator. The serial number is the code below the barcode on the identification label.



		Spare part number	Spare part number	Spare part number	Colours available
1	Control knob	623026			07, 30
2	Control knob	625682			07, 30
3A	Overlay Piezo	626620 <i>Width 486</i>	626622 <i>Width 525</i>		
3B	Overlay Electric	626621 <i>Width 486</i>	626623 <i>Width 525</i>		
4	Control panel	627002			07
5	Piezo igniter	625689			
6	Nut				
7	Selector switch < 01/07/2005		623400 <i>5 pole</i>		
	≥ 01/07/2005			626999 <i>6 pole</i>	
8	Bracket				
9A	Terminal strip DC				
9B	Terminal strip AC				
10	Strain relief				
11	Control cover				
12	Screw (3x)				
13	Bushing				
14	AC cover TGV				
15	Manual gas valve V2		625688		07
16	Axle TGV				
17	Flame meter	623029			
18	Bracket TGV				



LE1092_N100-N104-N110.back_0815.MOI

		Spare part number	Spare part number	Colours available
1	Exhaust tube short	627008		
2	Heat diffuser			
3	Heater AC			
	< 01/07/2005 (E182E.....)	623064		
	01/07/2005 - 09/06/2009	628450		
	≥ 09/06/2009 (E160K.....)	633570		
4	Heater DC			
	< 09/06/2009 (E160K.....)	623065		
	≥ 09/06/2009 (E160K.....)	633571		
5	Burner box			
6	Thermocouple	623020		
7	Burner	623019		
8	Spark electrode	623021	627004	
		<i>Electrical ignition</i>	<i>Piezo ignition</i>	
9	Electronic igniter	623022		