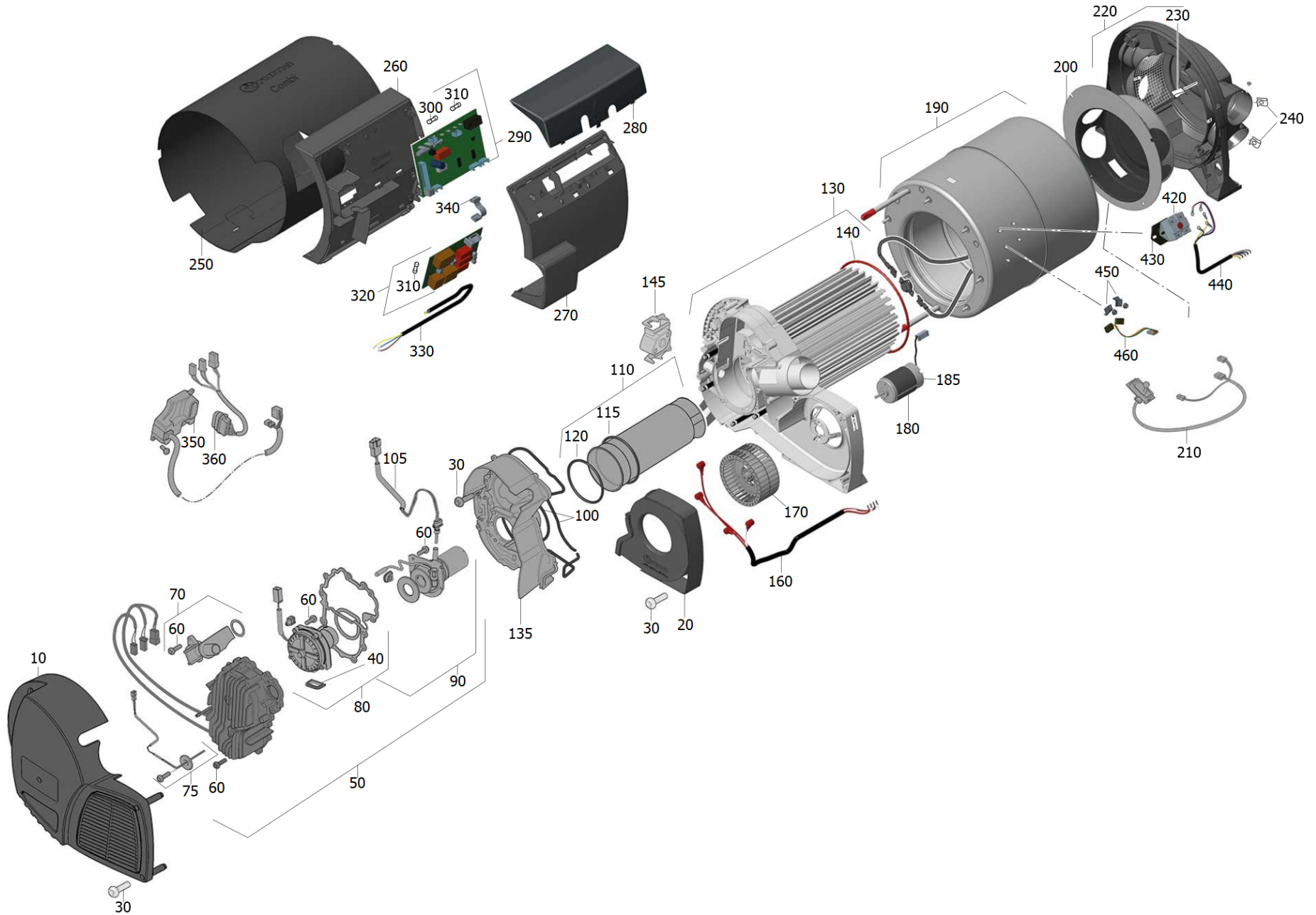


Spare parts Combi D 6 E CDE600-24120001-CBY06EU-E-xxxxxxx (04/2013-12/2022)



Spare parts Combi D 6 E CDE600-24120001-CBY06EU-E-xxxxxxx (04/2013-12/2022)

Item no.	Article no.	Description	Quantity	Unit
10	34020-01106	Combi D (E) cover kit	1	PC
20	34020-65000	Combi (E) circulation air cover, right	1	PC
30	34020-65400	Combi D screw accessory kit	1	PC
40	34030-68800	Combi D seal kit	1	PC
50	34020-65500	Combi D burner kit	1	PC
60	34020-89200	Screw kit M4 x 16, 6 pcs.	1	PC
70	34020-65800	Muff combustion air cpl.	1	PC
75	34020-86100	Combi D sensor flame monitor	1	PC
80		Combustion air motor		
90	34020-89100	Burner chamber cpl.	1	PC
100	34020-66300	Kit round cord seal	1	PC
105	34020-00236	Combi D glow plug kit	1	PC
115	34020-66500	Combi D flame tube gasket	1	PC
120	34020-66600	Combi D pipe collar gasket	1	PC
130	34020-00960	Combi D E heat exchanger kit	1	PC
135	34020-01113	Adapter Combi D E cpl.	1	PC
140	34020-01104	Combi D (E) seal kit	1	PC
145	34020-71700	Connector holder	1	PC
160	34020-61200	Combi heating rods cable harness	1	PC
170	34000-04700	Fan wheel 108 x 50R	1	PC
180	34020-61300	Combi circulating air motor	1	PC
185	34020-00262	Protection cap	1	PC

Spare parts Combi D 6 E CDE600-24120001-CBY06EU-E-xxxxxxxx (04/2013-12/2022)

Item no.	Article no.	Description	Quantity	Unit
190	34020-01682	Combi water container without seal	1	PC
200	34020-82700	Interior air hood cpl.	1	PC
210	34020-82500	Thermostat plate 6 kW cpl.	1	PC
220	34020-61600	Warm air distributor cpl.	1	PC
230	34020-53100	Clip interior air hood	1	PC
240	34020-24000	Clips 4 pcs.	1	PC
250	34020-95900	Combi outer casing, black	1	PC
260	34020-61700	Combi electronics housing	1	PC
270	34020-61800	Combi electronics cover	1	PC
280	34020-00687	Combi connector cover	1	PC
290	34030-06300	Combi D 6 / D 6 E electronics	1	PC
300	34020-67400	Fine wire fuse 20 AT	1	PC
310	34020-00073	Combi fine wire fuse kit 10 AT, 10 pcs.	1	PC
320	34020-63800	Combi / Combi D electronics, 230 V	1	PC
330	34020-00909	Cable 230 V, 1.6 m	1	PC
340	34020-09300	Electronics controller cable	1	PC
350	34020-00733	Combi D control unit cpl.	1	PC
360	34020-67600	Cable harness control unit/burner	1	PC
420	34020-08200	Switch WTS 230 V	1	PC
430	34020-11000	Chock WTS E	1	PC
440	34020-63100	Water temperature switch cable	1	PC
450	34020-03500	Heat conducting plate	1	PC

Spare parts Combi D 6 E CDE600-24120001-CBY06EU-E-xxxxxxx (04/2013-12/2022)

Item no.	Article no.	Description	Quantity	Unit
460	34020-63200	Water temp. sensor cable harness cpl.	1	PC

Spare parts Combi D 6 E CBY06EU-F-xxxxxxx (04/2022-)

Item no.	Article no.	Description	Quantity	Unit
10	34020-00936	Combi (E) cover kit	1	PC
20	34020-65000	Combi (E) circulation air cover, right	1	PC
25	34020-00758	Combi E circulation air cover, left	1	PC
30	34020-00609	Combi screw accessory kit	1	PC
40	34020-01333	Combi D cover + seals	1	PC
50	34020-01336	Combi D burner cpl.	1	PC
80	34020-01337	Combustion air fan	1	PC
105	34020-01338	Combi D glow plug kit	1	PC
110	34020-01345	Glow plug cable harness	1	PC
130	34020-01344	Combi D E heat exchanger kit	1	PC
145	34020-01339	Connector holder cpl.	1	PC
160	34020-00484	Combi E heating rods cable harness	1	PC
170	34000-04700	Fan wheel 108 x 50R	1	PC
180	34020-61300	Combi circulating air motor	1	PC
190	34020-01682	Combi water container without seal	1	PC
200	34020-00912	Interior air hood	1	PC
210	34020-00490	Water temp. sensor cable harness cpl.	1	PC
220	34020-61600	Warm air distributor cpl.	1	PC
240	34020-24000	Clips 4 pcs.	1	PC
250	34020-95900	Combi outer casing, black	1	PC
260	34020-61700	Combi electronics housing	1	PC
270	34020-00911	Combi electronics cover	1	PC

Spare parts Combi D 6 E CBY06EU-F-xxxxxxx (04/2022-)

Item no.	Article no.	Description	Quantity	Unit
280	34020-00687	Combi connector cover	1	PC
290	34020-01335	Combi D 6 / 6 E electronics	1	PC
310	34020-01331	Flat fuse 10 A, 10 pcs.	1	PC
315	34020-01487	Flat fuse 15 A, 10 pcs.	1	PC
320	34020-00546	Electronics 230 V	1	PC
325	39050-00381	Fine wire fuse kit 10 AF, H 10 pcs.	1	PC
330	34020-00909	Cable 230 V, 1.6 m	1	PC
340	34020-00545	Electronics controller line	1	PC
380	34020-00501	Combi (E) thermostat plate	1	PC
420	34020-00910	Temperature monitoring cable harness	1	PC
440	34020-00506	Water temperature switch cpl.	1	PC
490	34020-00607	Combi sticker kit	1	PC
500	34020-01343	Combi D cable harness	1	PC
510	34020-99900	Combi D exhaust duct fitting	1	PC