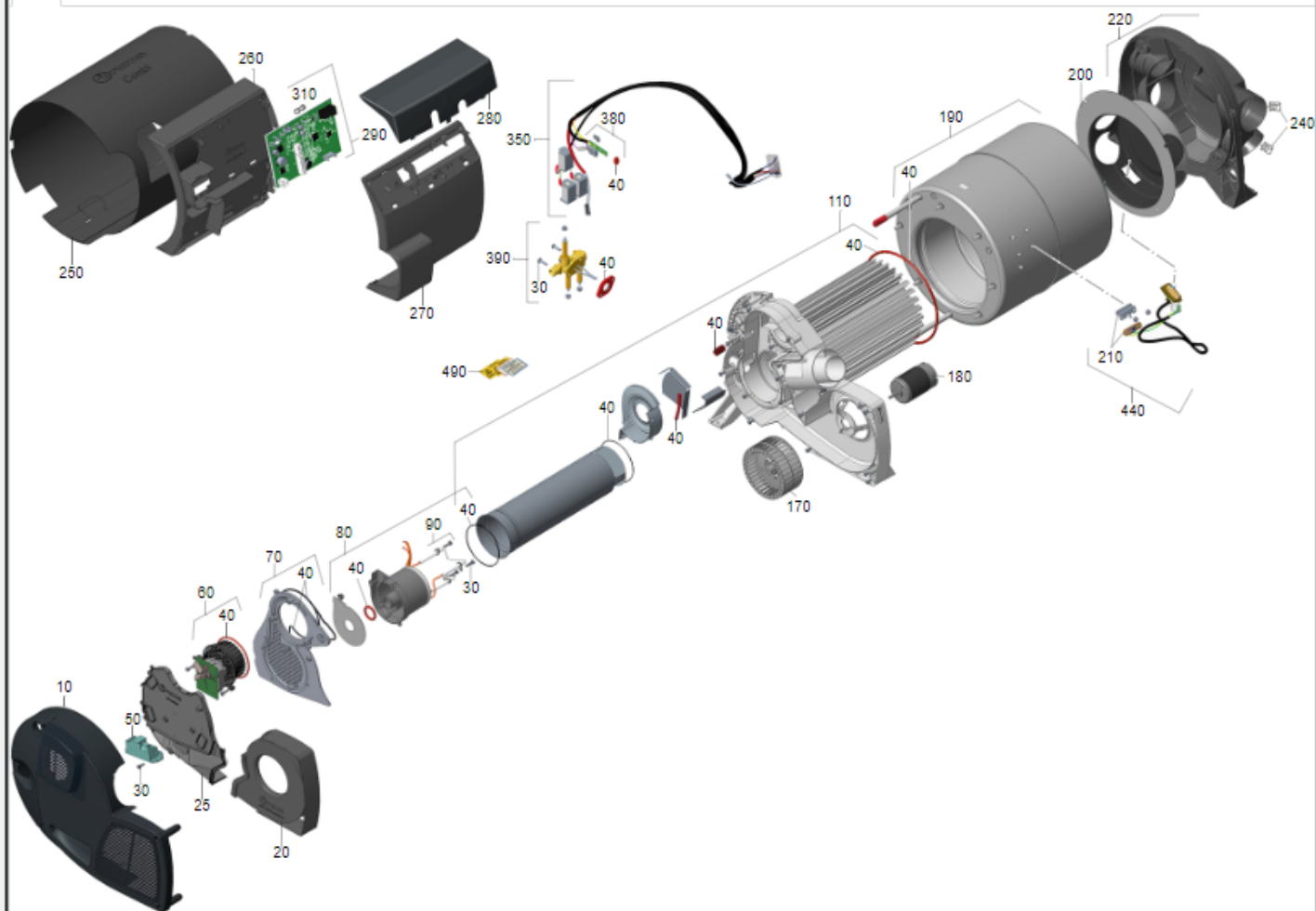


2D



Spare parts Combi 4 (06/2018-)

Item no.	Article no.	Description	Quantity	Unit
10	34020-00686	Combi (E) cover kit	1	PC
20	34020-65000	Circulation air cover Combi (E) right	1	PC
25	34020-65100	Circulation air cover Combi left	1	PC
30	34020-00609	Combi screw accessory kit	1	PC
40	34020-00246	Combi (E) seal kit	1	PC
50	34020-00234	Combi (E) ignitor kit	1	PC
60	34020-00235	Combustion air motor kit Combi (E)	1	PC
70	34020-60400	Cover combustion air	1	PC
80	34020-00233	Combi (E) burner kit	1	PC
90	34020-60800	Combi ignition electrode kit	1	PC
110	34020-00605	Combi heat exchanger kit	1	PC
170	34000-04700	Fan wheel	1	PC
180	34020-61300	D.C. Motor	1	PC
190	34020-00612	Combi (E) water container kit	1	PC
200	34020-61400	Interior air hood	1	PC
210	34020-00490	Water temp. sensor cable harness cpl.	1	PC
220	34020-61600	Warm air distributor cpl.	1	PC
240	34020-24000	Clips 4 pcs.	1	PC
250	34020-95900	Outer casing Combi black	1	PC
260	34020-61700	Combi electronics housing	1	PC
270	34020-61800	Combi electronics cover	1	PC
280	34020-00687	Combi connector cover	1	PC

Spare parts Combi 4 (06/2018-)

Item no.	Article no.	Description	Quantity	Unit
290	34020-00550	Combi 4 / 4 E electronics	1	PC
310	39050-00381	Fine wire fuse kit 10 AF, H 10 pcs.	1	PC
350	34020-00499	Combi (E) cable harness	1	PC
380	34020-00501	Combi (E) thermostat plate	1	PC
390	34020-00488	Combi (E) solenoid valve kit	1	PC
440	34020-00486	Temperature monitoring cable harness	1	PC
490	34020-00607	Combi sticker kit	1	PC