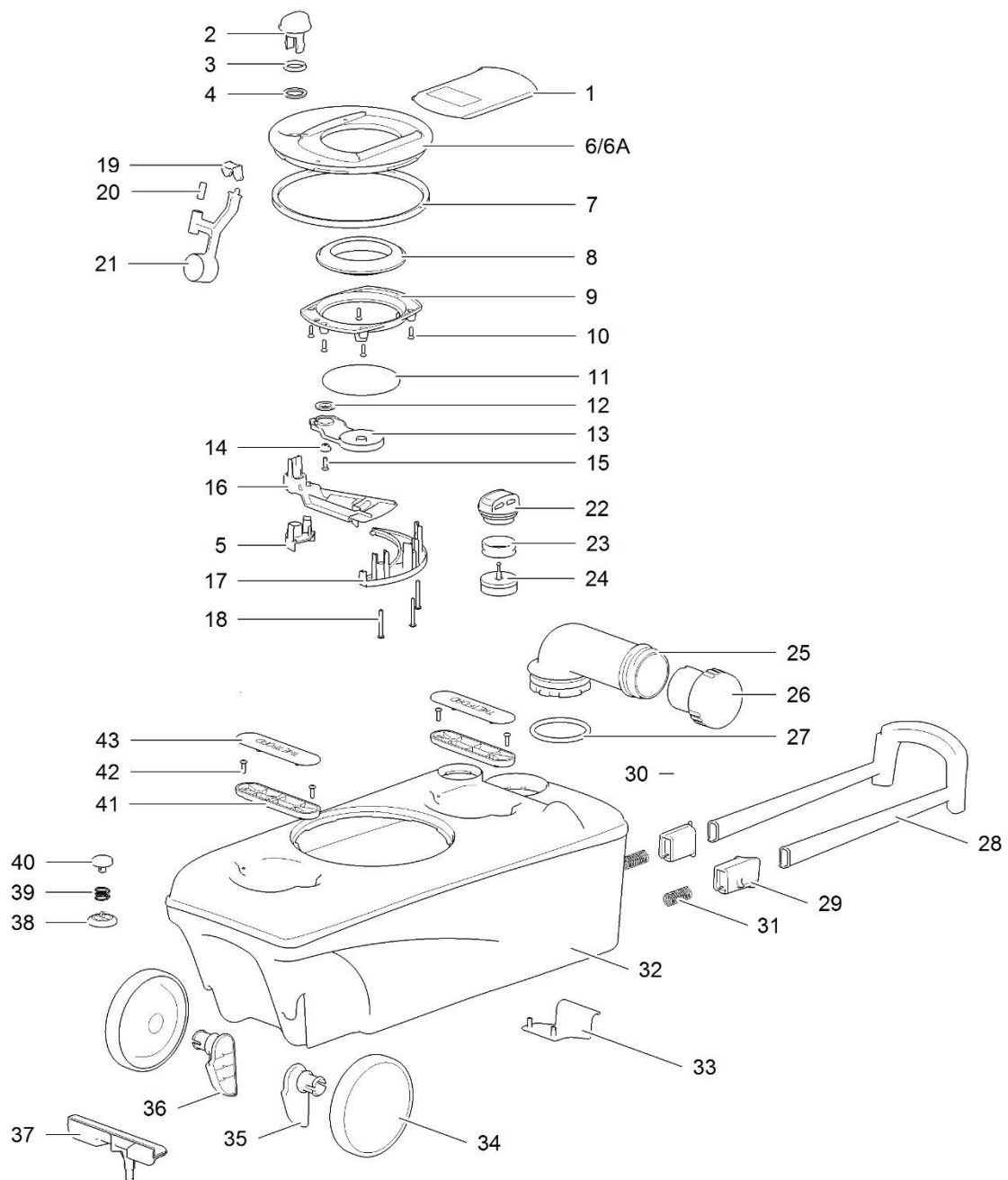


LE757_C503L_1115-V03

		Spare part number	Spare part number	Colours available
1	Cover		90713	62, 127
2	Seat			
3	Bowl			
4	Screw			
5	Sticker control knob			
6	Control PCB		90715	62, 127
7	Control knob			
8	Cosmetic cover straight Cosmetic cover curved			
9	Bench welded			
10	Base			
11	Tunnel			
12	Screw			
13	Pocket cover			
14	PCB cover			
15	Main PCB	90716		
16	Retaining plate			
17	Magnet			
18	Magnet basket			
19	Flange lock			
20	Screw			
21	Bushing			
22	Saddle			
23	Spring		51802	
24	Bracket			
25	Shaft			
26	Link			
27	Wire harness			
28	Water supply tube			
29	Hose clamp			
30	Solenoid valve		90717	
31	Hose nut			
32	Hose barb			
33	O-ring			
34	Nozzle		90718	
35	Water supply tube			
36	Water supply tube			
37	Bracket			
38	Screw			
39	Vacuum breaker	16833		
40	Screw			



LE758_C500-WHT_1114-V02

		Spare part number	Spare part number	Spare part number	Colours available	
1	Sliding cover	32301			06	
2	Blade opener	32300	32331 <i>mechanism right</i>	32332 <i>mechanism left</i>	16	
3	Washer					
4	Seal parker					
5	Mechanism retainer					
6	Holding tank plate Left hand version					32302
6A	Holding tank plate Right hand version	32328			06	
7	Seal mechanism	50724				
8	Lip seal	23721				
9	Seal plate					
10	Screw					06
11	Blade	50731				
12	Bearing					
13	Blade arm					
14	Bushing					
15	Screw					
16	Blade driver					
17	Support track					
18	Screw					
19	Retainer	90706				
20	Magnet					
21	Float arm					
22	Upper automatic vent	23722			06	
23	Seal					
24	Foam					
25	Pour out spout		32306		06	
26	Measuring cup	25810			16	
27	O-ring					
28	Pull handle		51805		16	
29	Pull handle bushing right					
30	Pull handle bushing left					
31	Spring					
32	Waste-holding tank complete		90707 <i>right hand version</i>	90708 <i>left hand version</i>	06	
33	Tank lock clip	51801			16	
34	Wheel		32308		06	
35	Wheel bearing right					
36	Wheel bearing left					
37	Wheel bracket					
38	Vent seal		32307		16	
39	Spring					
40	Vent button					

		Spare part number	Spare part number	Spare part number	Colours available
41	Handle				
42	Screw				
43	Handle cover				

Colour Numbers	Description	Colour reference
06	Slate Grey	RAL 7015
07	Traffic Grey	RAL 7042
10	Ivory-United States	Not available
16	Turquoise Green	RAL 6016
30	Mocha	NCS S 2005-Y40R
38	Grey Beige	RAL 1019
44	Beige-Europe	PMS 05543P
47	White/Silver	Not available
57	Creamy White	RAL 9001
62	White/Grey	Not available
66	Light Ivory	RAL 1015
68	Grey White	RAL 9002
74	Moon Grey	Pantone 417
78	Yellow	RAL 1003
79	Edelweiss	Ideal-Std. 46
88	Grey-Brown	Not available
89	Granite	Not available
90	Anthracite Grey	RAL 7016
92	Orange	Not available
111	Signal White	RAL 9003
127	White	NCS S 0300-N
130	Ruby Red	RAL 3003
132	Signal Black	RAL 9004
133	Agate Grey	RAL 7038
135	Light Grey Granite	Not available