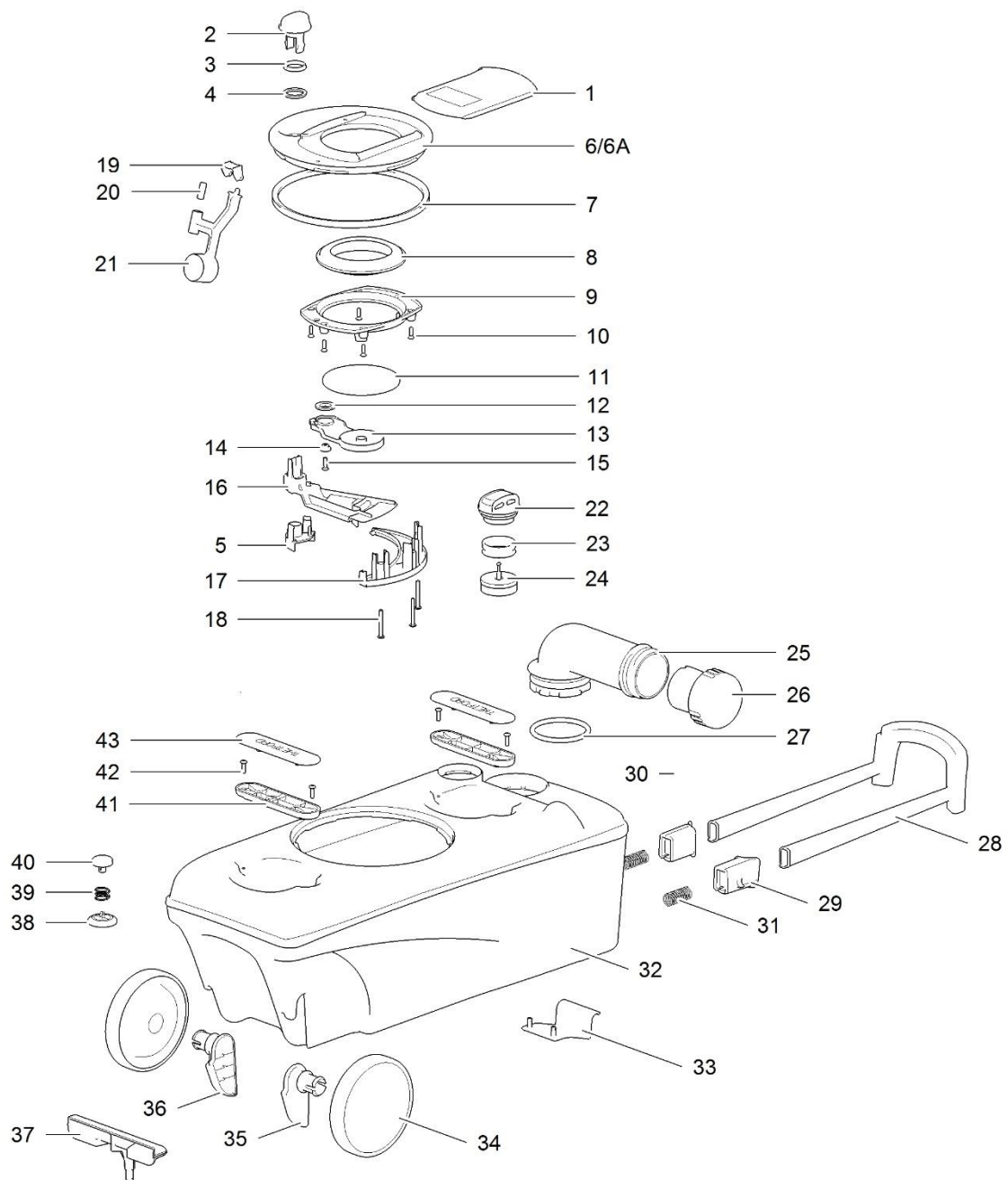


LE756\_C502C-X\_1114-V03

		Spare part number	Spare part number	Spare part number	Colours available
1	Cover		90713		62, 127
2	Seat				
3	Bowl				
4	Screw				
5	Sticker control knob		90701		62, 127
6	Control PCB		<i>C-model</i>	90709	127
7	Control knob			<i>X-model</i>	
8	Cosmetic cover straight				
	Cosmetic cover curved				
9	Water level sensor <i>X-model only</i>	90702			
10	Bench welded				
11	Cap waterfill funnel	16848			16
12	Waterfill funnel		90710	90719	
13	O-ring		<i>waterfill funnel 150mm</i>	<i>waterfill funnel 180mm</i>	
14	Waterfill elbow				
15	O-ring				
16	Tube PVC				
17	Drain connector				
18	Sight tube				
19	Clip sight tube	90711	90703		
20	Drain tube				
21	Tunnel				
22	Screw				
23	Base				
24	Pocket cover				
25	PCB cover				
26	Main PCB	90704 <i>C-model</i>	90712 <i>X-model</i>		
27	Retaining plate				
28	Magnet				
29	Magnet basket				
30	Flange lock				
31	Bushing				
32	Saddle		51802		
33	Spring				
34	Bracket				
35	Shaft				
36	Link				
37	Drain plug				
38	O-ring				
39	Blind plug water fill				
40	Pump	90714			
41	Water supply tube		90705		127
42	Nozzle				
43	O-ring				
44	Wiring harness				



LE758\_C500-WHT\_1114-V02

		Spare part number	Spare part number	Spare part number	Colours available	
1	Sliding cover	32301			06	
2	Blade opener	32300	32331 <i>mechanism right</i>	32332 <i>mechanism left</i>	16	
3	Washer					
4	Seal parker					
5	Mechanism retainer					
6	Holding tank plate Left hand version					32302
6A	Holding tank plate Right hand version	32328			06	
7	Seal mechanism	50724				
8	Lip seal	23721				
9	Seal plate					
10	Screw					06
11	Blade	50731				
12	Bearing					
13	Blade arm					
14	Bushing					
15	Screw					
16	Blade driver					
17	Support track					
18	Screw					
19	Retainer	90706				
20	Magnet					
21	Float arm					
22	Upper automatic vent	23722				
23	Seal					
24	Foam		06			
25	Pour out spout		32306		06	
26	Measuring cup	25810			16	
27	O-ring					
28	Pull handle		51805			
29	Pull handle bushing right					
30	Pull handle bushing left			16		
31	Spring					
32	Waste-holding tank complete		90707 <i>right hand version</i>	90708 <i>left hand version</i>	06	
33	Tank lock clip	51801			16	
34	Wheel		32308			
35	Wheel bearing right					
36	Wheel bearing left			06		
37	Wheel bracket					
38	Vent seal		32307			
39	Spring					
40	Vent button			16		

		<b>Spare part number</b>	<b>Spare part number</b>	<b>Spare part number</b>	<b>Colours available</b>
41	Handle				
42	Screw				
43	Handle cover				

<b>Colour Numbers</b>	<b>Description</b>	<b>Colour reference</b>
06	Slate Grey	RAL 7015
07	Traffic Grey	RAL 7042
10	Ivory-United States	Not available
16	Turquoise Green	RAL 6016
30	Mocha	NCS S 2005-Y40R
38	Grey Beige	RAL 1019
44	Beige-Europe	PMS 05543P
47	White/Silver	Not available
57	Creamy White	RAL 9001
62	White/Grey	Not available
66	Light Ivory	RAL 1015
68	Grey White	RAL 9002
74	Moon Grey	Pantone 417
78	Yellow	RAL 1003
79	Edelweiss	Ideal-Std. 46
88	Grey-Brown	Not available
89	Granite	Not available
90	Anthracite Grey	RAL 7016
92	Orange	Not available
111	Signal White	RAL 9003
127	White	NCS S 0300-N
130	Ruby Red	RAL 3003
132	Signal Black	RAL 9004
133	Agate Grey	RAL 7038
135	Light Grey Granite	Not available