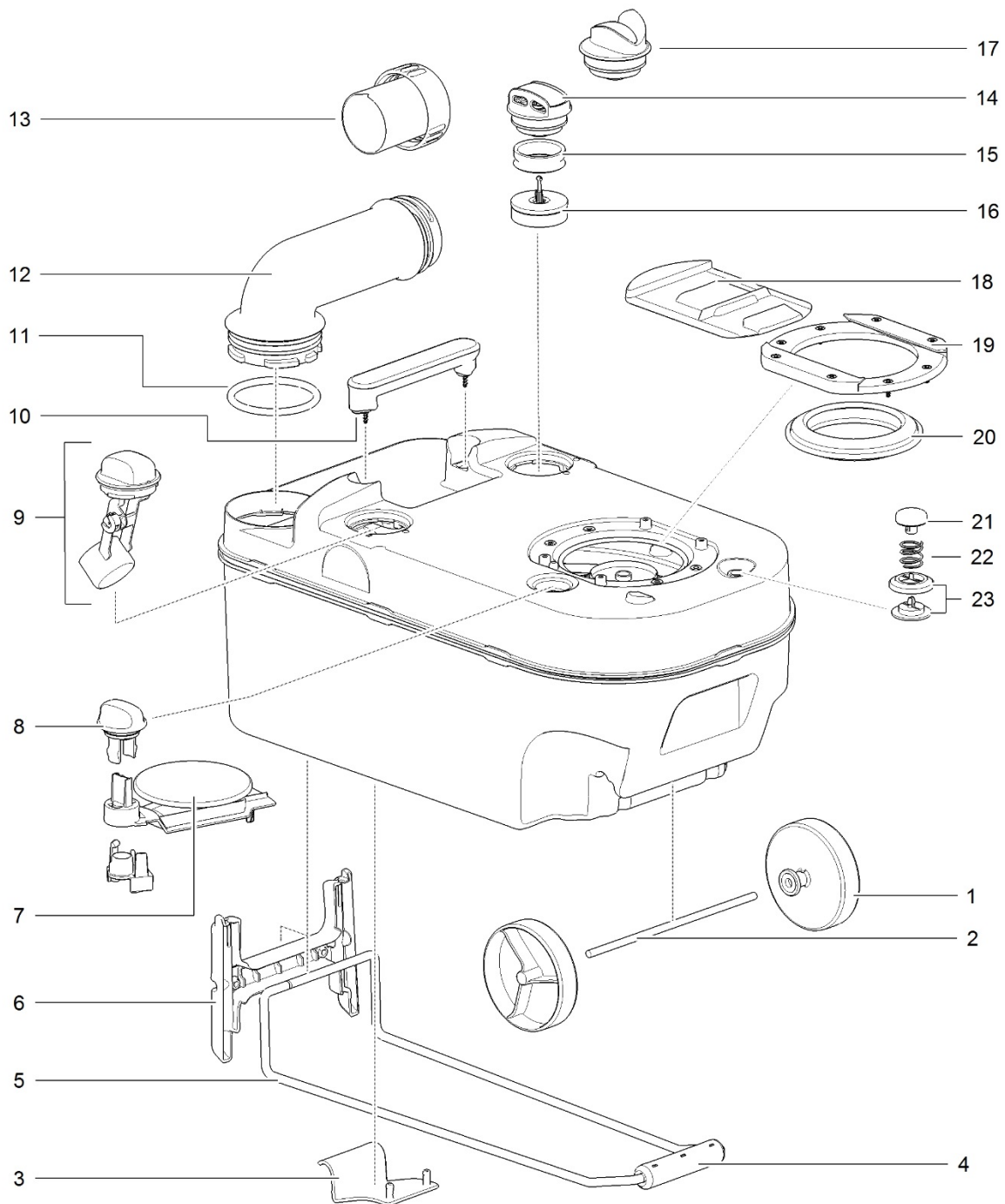


| | | Spare part number | Spare part number | Spare part number | Colours available |
|----|-----------------------------|-------------------------|-------------------|-------------------|-------------------|
| 1 | Cover | | 200950 | | 62 |
| 2 | Seat | | | | |
| 3 | Bowl | 200951 | | | 62 |
| 4 | Vacuum breaker | 16833 | | | |
| 5 | Flush tube | | 200952 | | 62 |
| 6 | Nozzle | | | | |
| 7 | Electric valve | | | 23709 | |
| 8 | Hose barb | | 23581 | | |
| 9 | Hose nut | | | | |
| 10 | Retainer bracket | | | | |
| 11 | Blade handle | | 200953 | | 07 |
| 12 | Screw | | | | |
| 13 | Bushing | | | | |
| 14 | Link | | 200954 | | |
| 15 | Saddle | | | | |
| 16 | Bushing | | | | |
| 17 | Bowl retainer bracket-back | | 200955 | | |
| 18 | Bowl retainer bracket-front | | | | |
| 19 | Lens | 200956 | | | |
| 20 | Level indicator | 200957 | | | |
| 21 | Seal base wall | 200958 | | | |
| 22 | Waste holding tank | <i>Refer to page 36</i> | | | |
| 23 | Sticker | 200960 | | | |
| 24 | Control panel | | 200961 | | 62 |
| 25 | Wall interface | | | | |
| 26 | PCB | 200962 | | | |
| 27 | Socket outside vent | | 200959 | | 62 |
| 28 | Box outside vent | | | | |
| 29 | Tube outside vent | | | | |
| | Wiring harness* | 200963 | | | |

* Wiring harness is not shown on parts drawing.



| | | Spare part number | Spare part number | Spare part number | Colours available |
|----|--|-------------------|-------------------|------------------------------------|-------------------|
| 1 | Wheels 2x | | 200640 | | 142 |
| 2 | Axle | | | | |
| 3 | Tank lock clip | 23849 | | | 85 |
| 4 | Grip transport handle | 200966 | 200965 | | 85 |
| 5 | Transport handle | | | | |
| 6 | Transport handle bracket | 200968 | | | 06 |
| 7 | Blade | 200969 | | | |
| 8 | Blade opener | 200970 | | | 85 |
| 9 | Float arm | 200971 | | | |
| 10 | Carry handle | 200972 | | | 06 |
| 11 | O-ring | | 200973 | | 06, 85 |
| 12 | Pour out spout | | | | |
| 13 | Measuring cup | 200967 | | | 85 |
| 14 | Automatic vent | | | | |
| 15 | Foam | | 23722 | | 06 |
| 16 | Vent seal | | | 23788 | |
| 17 | Outside vent | | | | |
| 18 | Sliding cover | 50718 | | | 06 |
| 19 | Retainer seal | | | | |
| 20 | Lip seal | 23721 | | | |
| 21 | Vent button | | | | |
| 22 | Spring | | 07524 | | 85 |
| 23 | Vent seal | | | | |
| | Waste-holding tank complete <i>including sliding cover, wheels and handle</i> | | 200977 | 200978 for outside vent version | 06 |

| Colour Numbers | Description | Colour reference |
|-----------------------|---------------------|-------------------------|
| 06 | Slate Grey | RAL 7015 |
| 07 | Traffic Grey | RAL 7042 |
| 10 | Ivory-United States | Not available |
| 16 | Turquoise Green | RAL 6016 |
| 30 | Mocha | NCS S 2005-Y40R |
| 38 | Grey Beige | RAL 1019 |
| 44 | Beige-Europe | PMS 05543P |
| 47 | White/Silver | Not available |
| 57 | Creamy White | RAL 9001 |
| 62 | White/Grey | Not available |
| 66 | Light Ivory | RAL 1015 |
| 68 | Grey White | RAL 9002 |
| 74 | Moon Grey | Pantone 417 |
| 78 | Yellow | RAL 1003 |
| 79 | Edelweiss | Ideal-Std. 46 |
| 85 | Blue | RAL 5015 |
| 88 | Grey-Brown | Not available |
| 89 | Granite | Not available |
| 90 | Anthracite Grey | RAL 7016 |
| 92 | Orange | Not available |
| 111 | Signal White | RAL 9003 |
| 127 | White | NCS S 0300-N |
| 130 | Ruby Red | RAL 3003 |
| 132 | Signal Black | RAL 9004 |
| 133 | Agate Grey | RAL 7038 |
| 135 | Light Grey Granite | Not available |