

Spare parts Aventa compact (10/2018-)

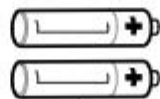
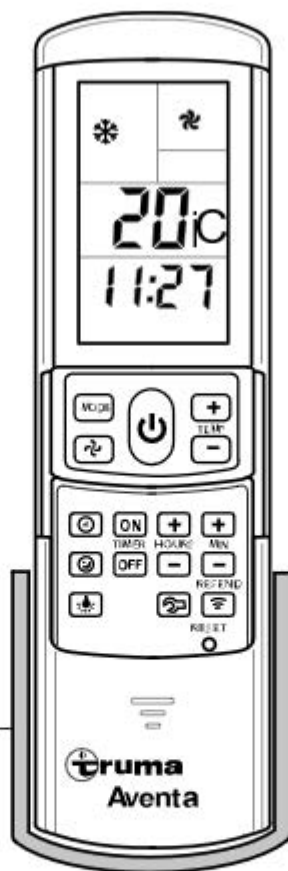
Item no.	Article no.	Description	Quantity	Unit
10	40091-00190	Aventa compact (plus) top case cpl.	1	PC
20	40091-00191	Aventa comp. (plus) condenser fan	1	PC
30	40091-83800	Aventa eco/compact evaporator fan	1	PC
40	40091-00192	Lamellar insert, rear	1	PC
50	40091-00193	Ventilation grille, side	1	PC
70	40091-84900	Cable harness sensors	1	PC
80	40091-00194	Screw kit	1	PC
90	40091-00202	Electronics housing	1	PC
100	40091-00195	Aventa compact electronics	1	PC
110	40090-29900	Fine wire fuse 5 AT, H	1	PC
140	40091-81100	Base ring	1	PC
160	40091-82700	Sealing profile	1	PC
170	40091-00199	Aventa angle bracket kit	1	PC
190	40091-18400	WAGO clamp	1	PC
200	40091-80600	Condensation trap kit	1	PC
210	40091-80500	Rubber sheet, 2 pcs.	1	PC
220	40091-00203	Compressor connector cable	1	PC
230	40091-00201	Aventa compact (plus) bottom case cpl.	1	PC
240	40091-00385	Aventa compact compressor cpl.	1	PC
250	40091-00119	Aventa compact condenser	1	PC
270	40091-00123	Aventa compact evaporator	1	PC
300	40091-00142	Hot gas line Ø 6,0 / L 1246 mm, bend	1	PC

Spare parts Aventa compact (10/2018-)

Item no.	Article no.	Description	Quantity	Unit
310	40091-00139	Suction line	1	PC
320	40091-00205	Aventa accessory kit	1	PC

10

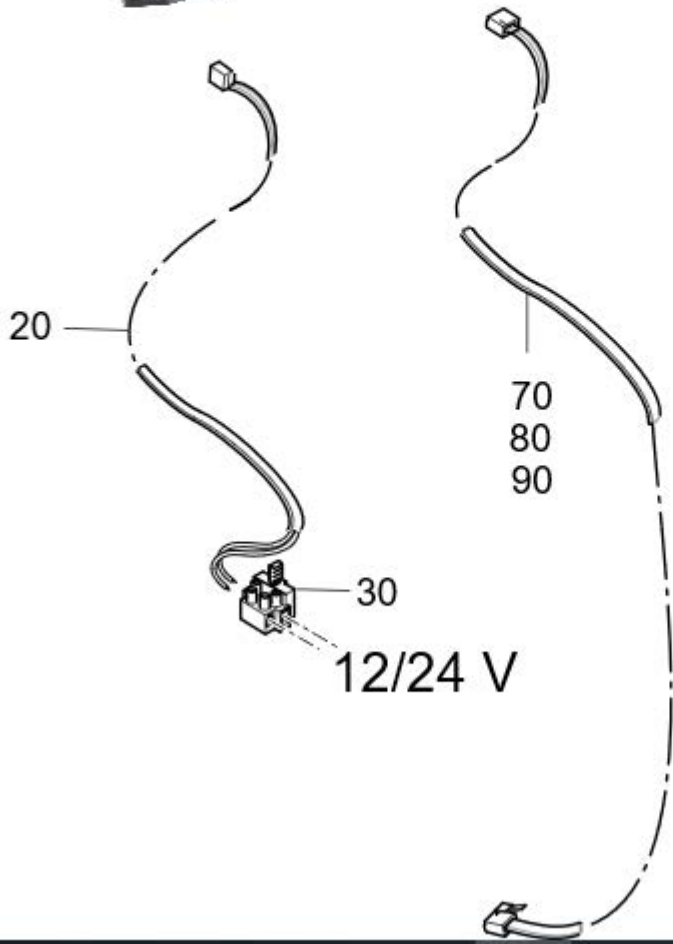
20



30

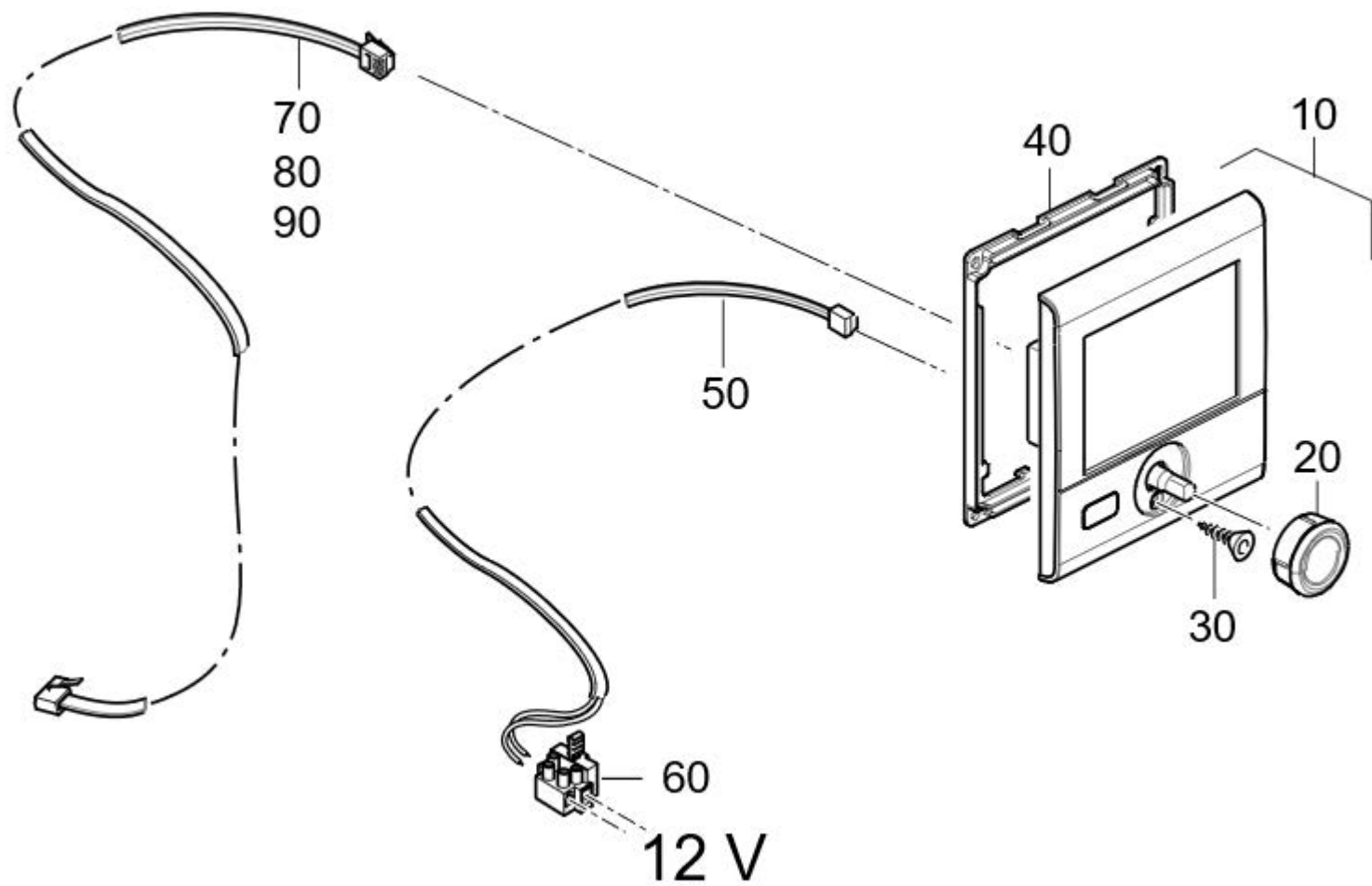
Spare parts Remote control

Item no.	Article no.	Description	Quantity	Unit
10	40091-86700	Aventa comfort remote pl.	1	PC
20	40091-81800	Holder for Saphir/Aventa remote control	1	PC
30	40040-19500	Battery micro 1.5 V	1	PC



Spare parts iNet Box

Item no.	Article no.	Description	Quantity	Unit
10	47000-00041	Truma iNet Box spare part	1	PC
20	47000-00003	12/24V connector cable spare part	1	PC
30	50020-27800	Fuse holder incl. fuse 1 AF	1	PC
50	36120-01	TIN distributor	1	PC
70	36110-01	Control panel cable, 3 m	1	PC
80	36110-02	Control panel cable, 6 m	1	PC
90	36110-03	Control panel cable, 9 m	1	PC



Spare parts CP plus

Item no.	Article no.	Description	Quantity	Unit
10	34020-00374	Truma CP plus spare part	1	PC
10	34020-00375	Truma CP plus CI Bus spare part	1	PC
20	34030-28600	Truma CP plus control knob	1	PC
30	10010-41900	CS screw TP 3x6-A2K-H1	1	PC
40	34030-28500	CP plus mounting frame	1	PC
50	34030-28700	CP plus connector cable	1	PC
60	50020-27800	Fuse holder incl. fuse 1 AF	1	PC
70	36110-01	Control panel cable, 3 m	1	PC
80	36110-02	Control panel cable, 6 m	1	PC
90	36110-03	Control panel cable, 9 m	1	PC