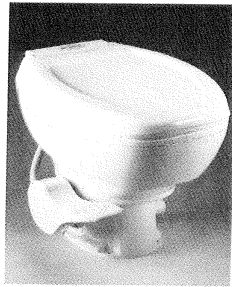


# VT2500/2501

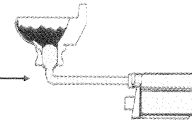
## VT 2500/2501 - Cassette

- A CARAVAN TOILET DEVELOPED FOR LEISURE VEHICLES BASED ON VACUUM
- A LIGHT WEIGHT TOILET WITH A CERAMIC BOWL LIKE AT HOME
- A VACUUM TOILET SYSTEM WITH A REMOTE REMOVABLE HOLDING TANK
- NO UNPLEASANT ODOURS

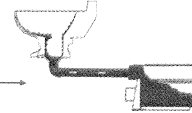


## Working Principle

- Vacuum is stored in the system.



- As the foot pedal is pressed the vacuum is released.



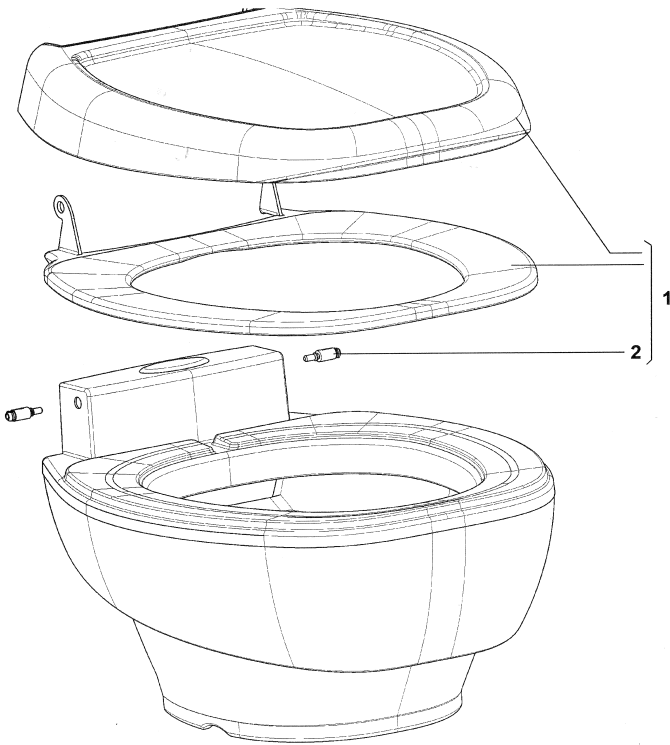
## Features

- NO ODOURS IN THE BATHROOM
- ENVIRONMENTALLY FRIENDLY – NO CHEMICALS
- CERAMIC BOWL – NO SCRATCHING OR DISCOLOURATION
- LOOKS AND OPERATES LIKE A DOMESTIC TOILET
- LOW WATER CONSUMPTION
- YOU AND WASTE NEVER BREATHE SAME AIR
- LOW NOISE LEVEL
- LOW ENERGY CONSUMPTION
- WASTE BROKEN DOWN THROUGH HIGH VELOCITY VACUUM PIPE
- FLEXIBLE INSTALLATION POSSIBILITIES

## Specifications

- POWER SUPPLY: 12V DC
- CONSUMPTION: 1,2A pump running
- RUNNING TIME: Max 60-70 Sec
- TANK CAPACITY: 25 Ltrs
- WASTE CAPACITY: 14 Ltrs
- WATER FLUSH CONSUMPTION: 0.4Ltrs
- VACUUM: 2m per second
- TOILET WEIGHT: 6.1kg
- TANK WEIGHT: 2.9kg
- PUMP INCL FILTER: 2.6kg
- 2m WASTE PIPE INCL 3 ELBOWS: 0.6kg
- TOTAL WEIGHT: 12.2kg (Thetford C2 11.4kg)
- FILTER CHANGE: 1-3 Years
- CHEMICALS: NONE

# WORKING PARTS



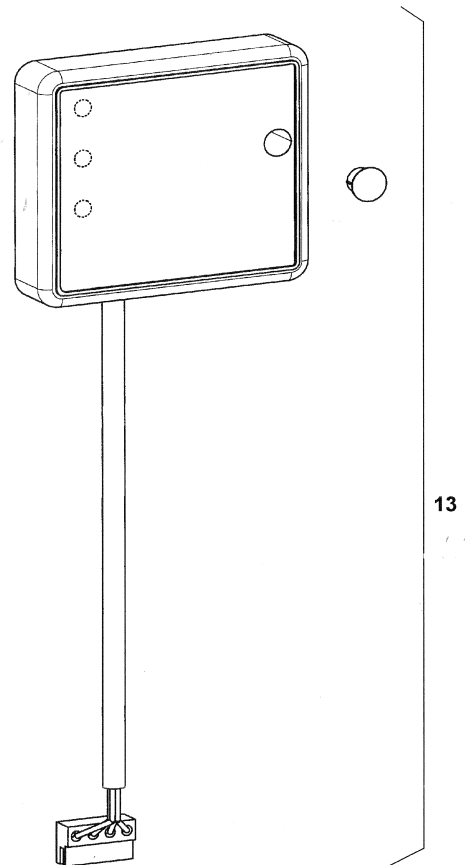
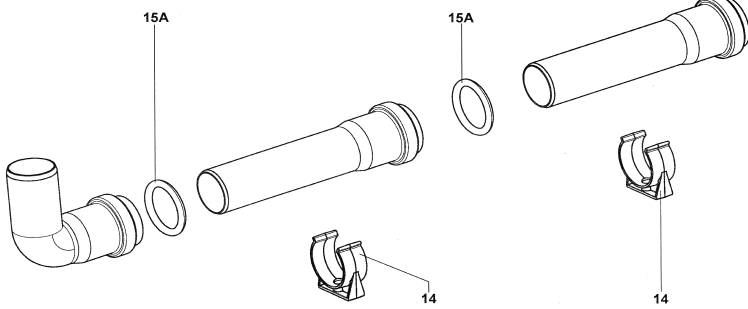
PARTS LIST	
1	2426002156 COVER COMPLETE
2	HINGE 2426001091

INSTRUCTION MANUAL	
2426002792	

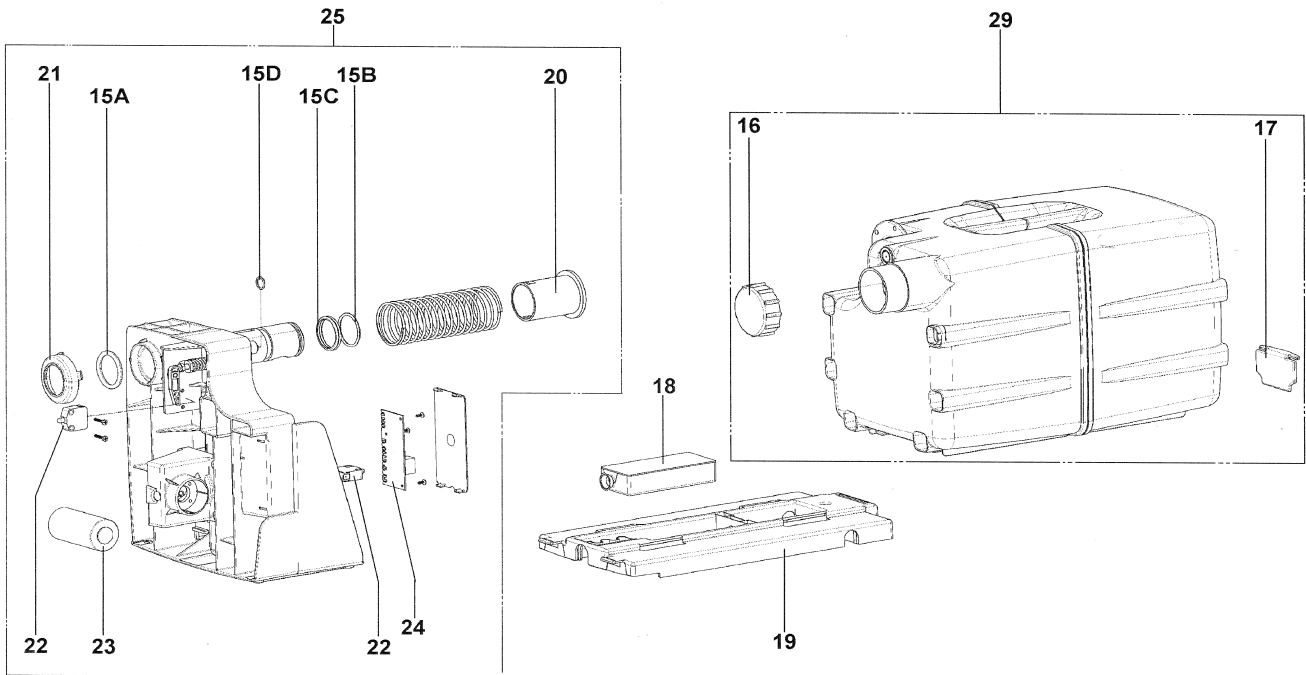
13	ELECTRONIC COMP. 2426002180
----	--------------------------------

14	CLAMPS 2426000119
----	----------------------

15A	O'RING D40mmX6mm 2426000119
-----	--------------------------------

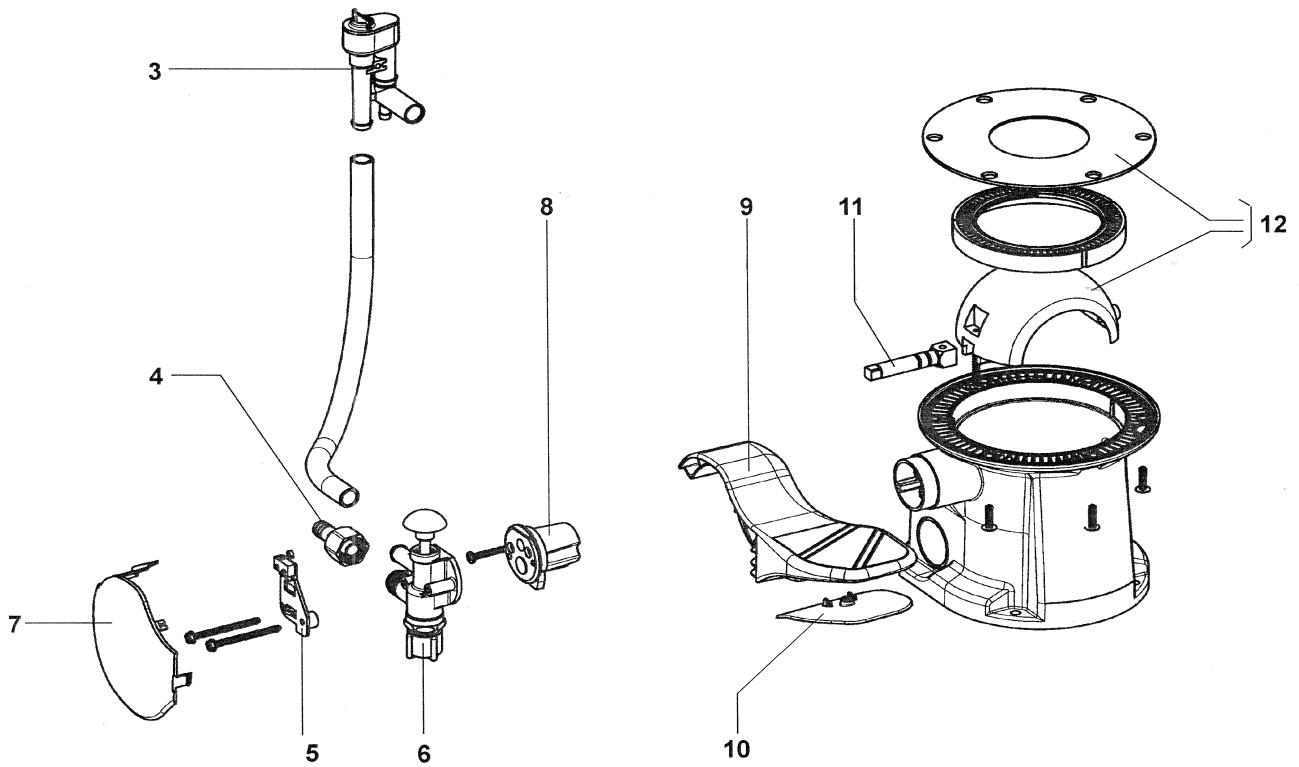


# CASSETTE



15A	O'RING D=40X6mm	2426000119
15B	O'RING D=39X3mm	2426000085
15C	SEAL DOUBLE D=45/38,5X6.8mm	2426000093
15D	O'RING D=13X2mm	2426000721
16	COVER WITH SEAL	2426002578
17	SLIDER LOCK	2426000648
18	FILTER COMPLETE	2426001141
19	BOTTOM COMPLETE	2426000739
20	SLIDER FOR BACK PANEL	2426000069
21	COVER BACK PANEL	2426000077
22	SWITCH RECOGNITION CASSETTE	2426001364
23	MOTOR COMPLETE 19V	2426001992
24	PCB COMPLETE RAFI(504058908/01)	2426001984
25	BACK PANEL COMPLETE SERVICE	2426002966
29	CASSETTE COMPLETE SERVICE	2426002032

# ARMATURE / FITTINGS



3	BREAKER VACUUM COMPLETE	2426000937
4	>>>>SPARES	2426001059
5	SWITCH	2426002164
6	TAP ASSY	2426002529
7	COVER	2426000861
8	BOSS PEDAL	2426000911
9	PEDAL	2426000853
10	COVER BOTTOM	2426000879
11	BOLT	2426000929
12	HALF BALL SEAL KIT	2426002172