

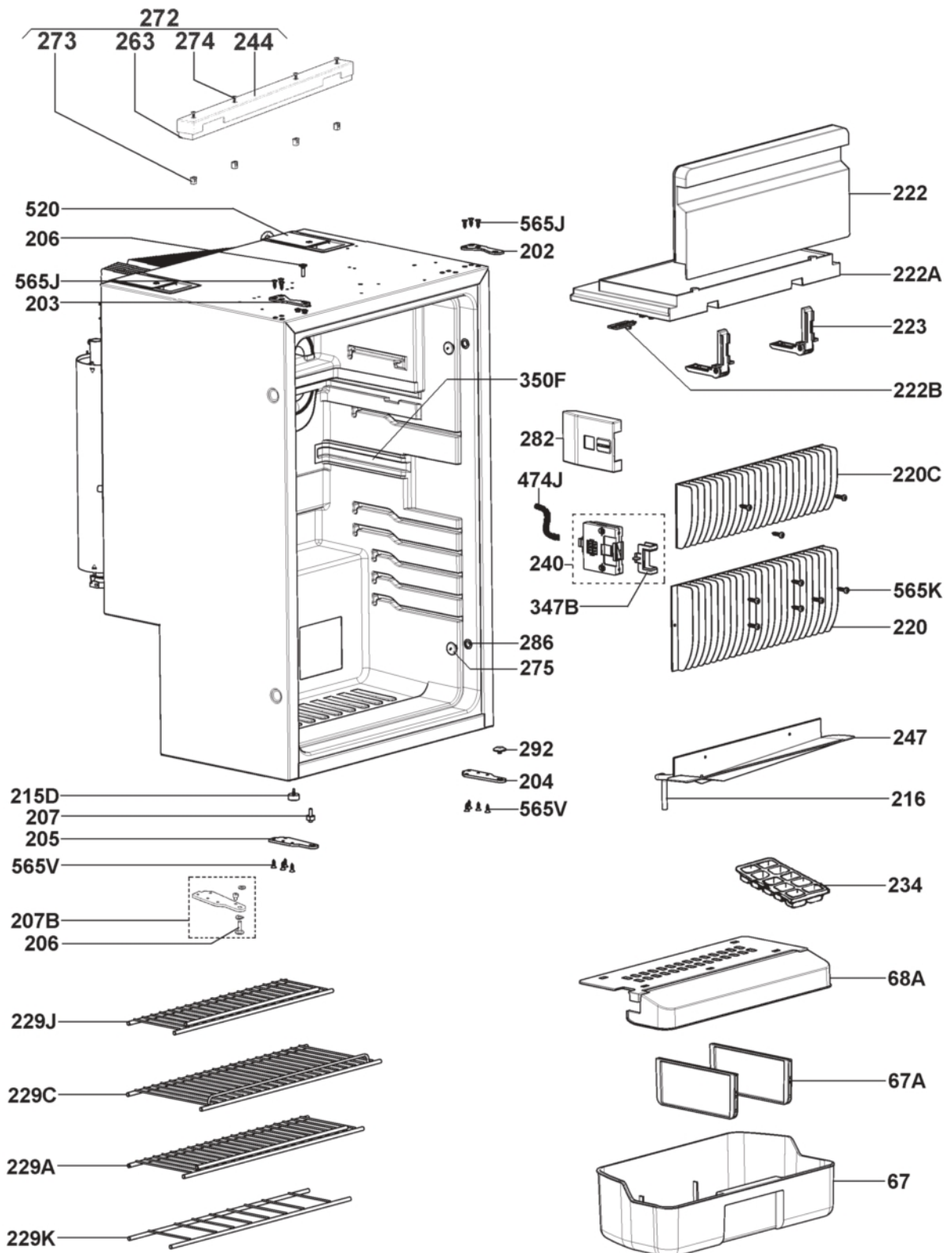
**Nur die im Text aufgeführten Ersatzteile sind tatsächlich im Produkt.
 Only the spare parts which are listed are really in the product.
 Endast reservdelar i listan finns i produkten.**

(PRM8400T6)

| Part no | Pos | Qty | Part name | Specification |
|----------------|------------|------------|---------------------------------|----------------------|
| 241333800 | 002 | | cover ledge door silver-grey | NCS S4000N, L=746mm |
| 295123702 | 003 | | bottle-retainer blue | L=300 mm |
| 241334110 | 004 | | étagère bottles blue | L=374,5mm |
| 241334210 | 005 | | étagère middle blue | L=373,5mm |
| pnc n0 reqd | 007 | | decoration plate silver | RAL9006, 1,0x473x743 |
| 241301013 | 056 | | door gasket magnetic seal black | 459x730mm |
| pnc n0 reqd | 059 | | door complete service | 486x758mm |
| 241393810 | 066B | | étagère upper complete | L=374,5mm |
| 289031800 | 099 | | user manual installation | RM/S/L/SL 8xxx DE/EN |
| 289031700 | 099 | | user manual | RM/S/L/SL 8xxx DE/EN |
| 289012711 | 214 | | door lock door service | |
| 241326030 | 214A | | button door lock doorhang right | NCS S 4000N |

Mobile living made easy.

RMS8401 () || Dometic Parts Web



Nur die im Text aufgeführten Ersatzteile sind tatsächlich im Produkt.
 Only the spare parts which are listed are really in the product.

(PRMS8400G3)

Mobile living made easy.

RMS8401 () | Product No 921712803 | Dometic Parts Web

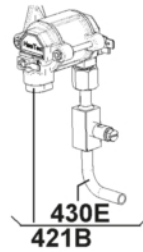
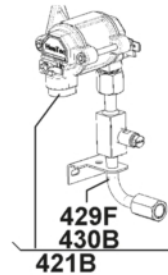
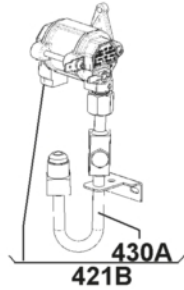
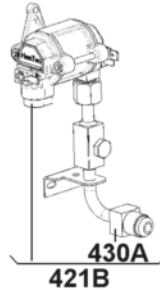
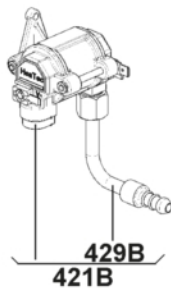
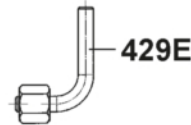
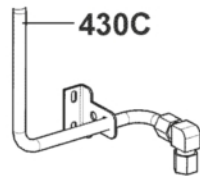
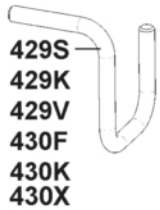
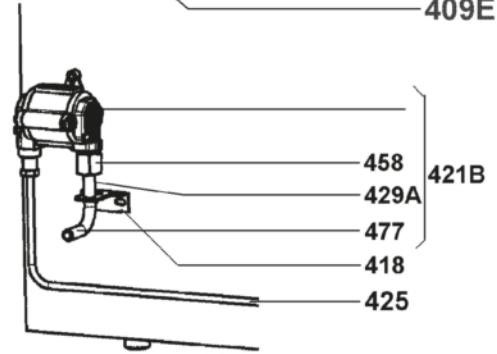
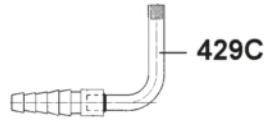
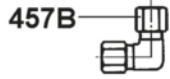
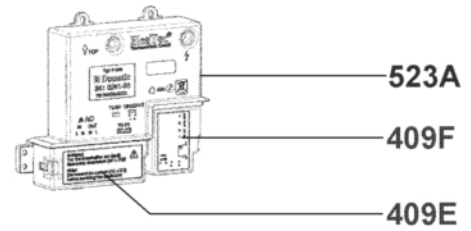
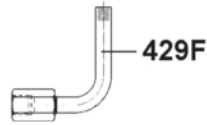
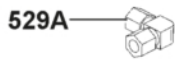
Part assemblies Housing 001

| Part no | Pos | Qty | Part name | Specification |
|-------------|------|-----|-------------------------------------|----------------------|
| 292334710 | - | | kit drain hose connection | |
| 241338500 | 067 | | crisper blue | L=405mm |
| 241337700 | 067A | | divider crisper blue | |
| 241209620 | 202 | | hinge upper right chrome plated | |
| 241209810 | 204 | | hinge lower right chrome plated | |
| 241209910 | 205 | | hinge lower left chrome plated | |
| 292489200 | 206 | | bolt hinge upper | L=17,5mm |
| 292626520 | 207 | | bolt hinge chrome plated | L=21,5 |
| 292334633 | 216 | | drain hose | D=8/1x900mm |
| 241294836 | 220 | | rear-evaporator refrigerator | |
| 241294835 | 220C | | rear-evaporator freezer compartment | |
| 241211631 | 222 | | Freezer flap door | L=389mm |
| 241333920 | 222A | | bottom freezer compartment | L=405mm |
| 241332720 | 222B | | slider for freezer compartment | |
| 241212501 | 223 | | hinge complete freezer compartment | |
| 241338050 | 229A | | grid bottom zinc-plated | 426x125mm |
| 241337570 | 229C | | grid upper zinc-plated | 426x165mm |
| 295113200 | 234 | | ice tray | PLASTIC |
| pnc n0 reqd | 240 | | door lock lighting doorhang right | |
| 295228640 | 247 | | drop profile complete | |
| 295122105 | 275 | | cover cap | S0510R80B |
| 241326801 | 282 | | cover door lock lighting | |
| 295176590 | 286 | | kit screws | 6x 3,5x20, 6x 4x17mm |
| 241274311 | 292 | | cap hinge | NCS S 4502-Y GL |
| 241327101 | 347B | | receptor lock tab | |
| 241326151 | 350F | | cover cable lighting | |
| 241343319 | 474J | | connection wiring lighting | L=1180mm, MES4/AES4 |
| 729634201 | 565J | | screw | ST4,2x13 FZ |
| 295123000 | 565K | | lens screw | Torx B4,8x19 |
| 292441713 | 565V | | countersunk screw without bit | C3, 9x9,5mm |

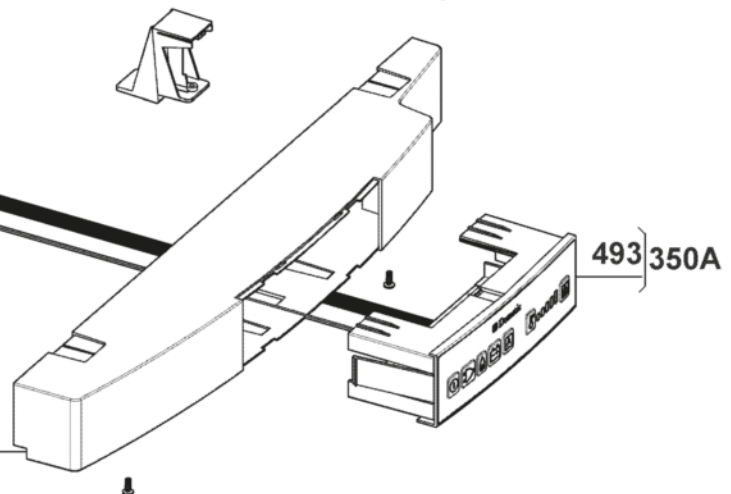
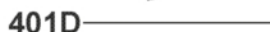
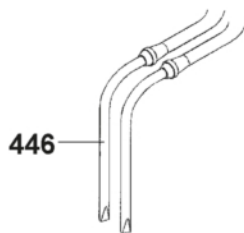
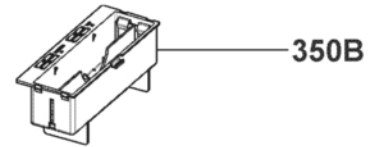
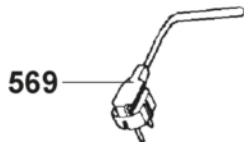
Mobile living made easy.

RMS8401 () || Dometic Parts Web

GASARMATUR GAS EQUIPMENT






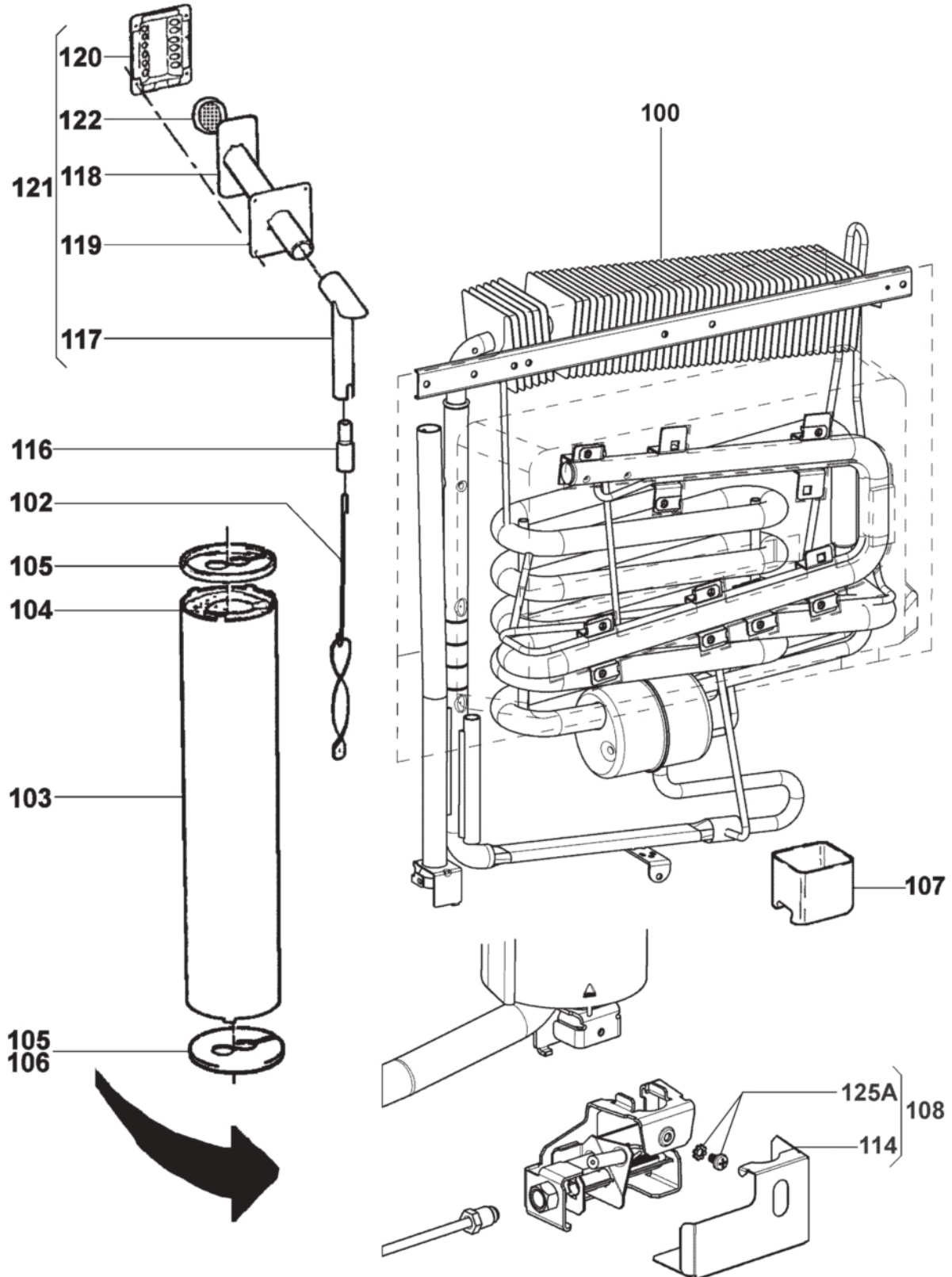
ELEKTROARMATUR ELECTRO EQUIPMENT



Nur die im Text aufgeführten Ersatzteile sind tatsächlich im Produkt
Only the spare parts which are listed are really in the product

(PRM8401A5)

| Part no | Pos | Qty | Part name | Specification |
|---|------|-----|--|---------------------|
| 289023600 | - | | connection wiring connection brick | GV100 |
| pnc n0 reqd | 350A | | operating panel with temperature probe | DOM, MES4 |
| pnc n0 reqd | 401 | | control panel doorhang right silver-grey | L=486mm |
| pnc n0 reqd | 401D | | retainer control panel silver-grey | NCS S4000 N |
| 241209330 | 409E | | cover connection net | |
| 241209331 | 409F | | cover connection Battery | |
| 292620200 | 418 | | bracket for gas connection | |
|  241279831 | 421B | | gas valve with gas connection | D=8/1x80mm |
| 241259371 | 425 | | gas inlet pipe | |
| 241398600 | 429A | | gas connection with union nut | D=8/1x80mm |
| 289018000 | 446 | | heater | 235V/125W |
|  292342020 | 446 | | heater service | 12V/120W |
| 292790310 | 458 | | union nut | M14x1,5 |
| 289023710 | 474G | | connection wiring operating panel electronic | L=2030mm |
| 292319100 | 477 | | filter for gas connection | |
| 295224881 | 493 | | temperature probe | L=1500mm |
|  289018931 | 523A | | connection brick complete | MES4/AES4, 200-240V |
| 289029731 | 569 | | connection wiring black violet | 12V |
| 289029721 | 569 | | connection wiring | 12V |
| 289028102 | 569 | | connection wiring black | CEE, L=2500mm |




Nur die im Text aufgeführten Ersatzteile sind tatsächlich im Produkt
Only the spare parts which are listed are really in the product

(P1RMS8401AG)

Mobile living made easy.

RMS8401 () || Dometic Parts Web

Part assemblies Cooling generator

| Part no | Pos | Qty | Part name | Specification |
|---|------|-----|-------------------------|---------------------|
| pnc n0 reqd | 100 | | cooling unit service | |
| pnc n0 reqd | 102 | | helix complete | |
| 292408220 | 103 | | mantle cooker | |
| 292668013 | 104 | | cooker insulation | |
| 292497900 | 105 | | bezel cooker mantle | |
| 292408911 | 106 | | cover bottom | |
| 292601930 | 107 | | evaporation tray nature | |
| 289060493 | 108 | | gas burner complete | CBS2, MES/AES, DN65 |
| 289038050 | 114 | | cover gas burner | |
| 293549100 | 116 | | adaptor | L=68 |
| 295244440 | 117 | | T-piece complete | L=75mm |
| 293565200 | 118 | | exhaust pipe complete | L=195mm |
| 293587220 | 121 | | | L=195/75mm |
|  293566700 | 122 | | cover cap nature | |
| 295246160 | 125A | | fixing burner | |