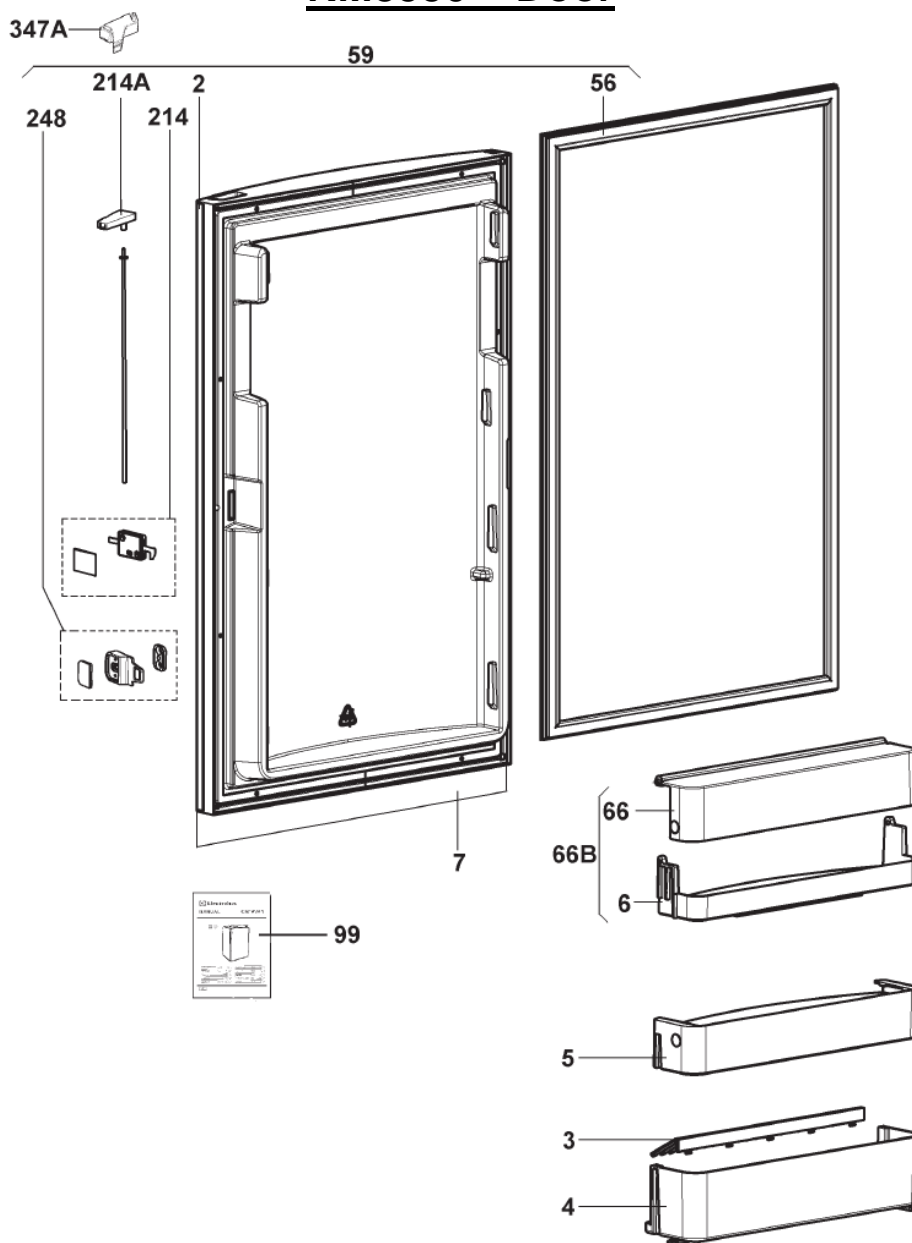


RM8550 – Door

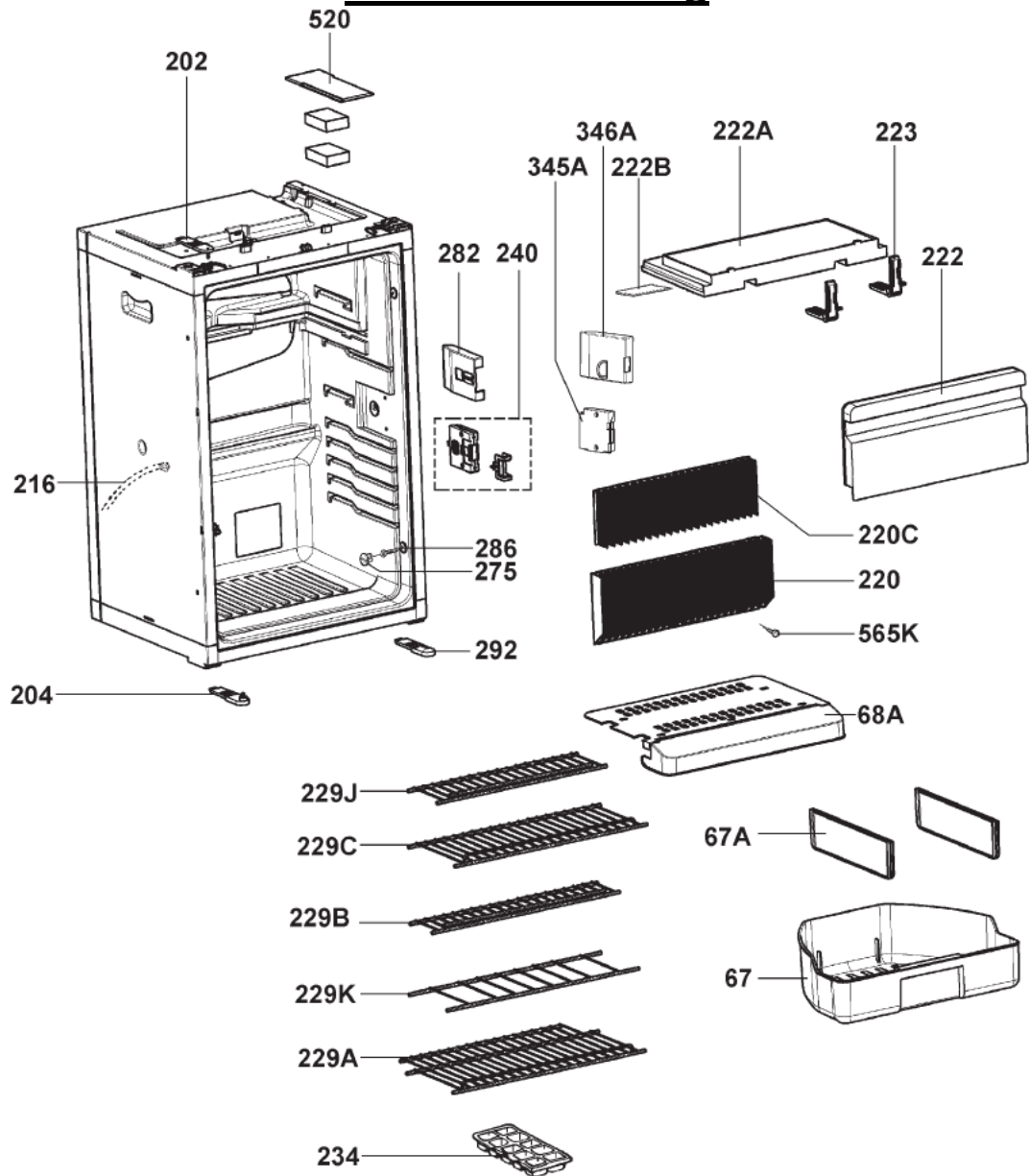


Nur die im Text aufgeführten Ersatzteile sind tatsächlich im Produkt.
 Only the spare parts which are listed are really in the product.
 Endast reservdelar i listan finns i produkten.

(NRM8400T1)

INDENT	DESCRIPTION	LS PART NUMBER
002	COVER LEDGE, DOOR	2413338001
003	BOTTLE RETAINER	2951237029
004	BOTTLE SHELF	2413341005
005	MIDDLE SHELF	2413342003
006	UPPER SHELF	2413343001
007	DECORATION PLATE	2413421005
056	DOOR GASKET, MAGNETIC SEAL	2413278033
059	DOOR COMPLETE	2413458106
066	COVER, SHELF	2413344009
214	DOOR LOCK	NEED PROD NO
214A	BUTTON, DOOR LOCK	NEED PROD NO

RM8550 – Housing



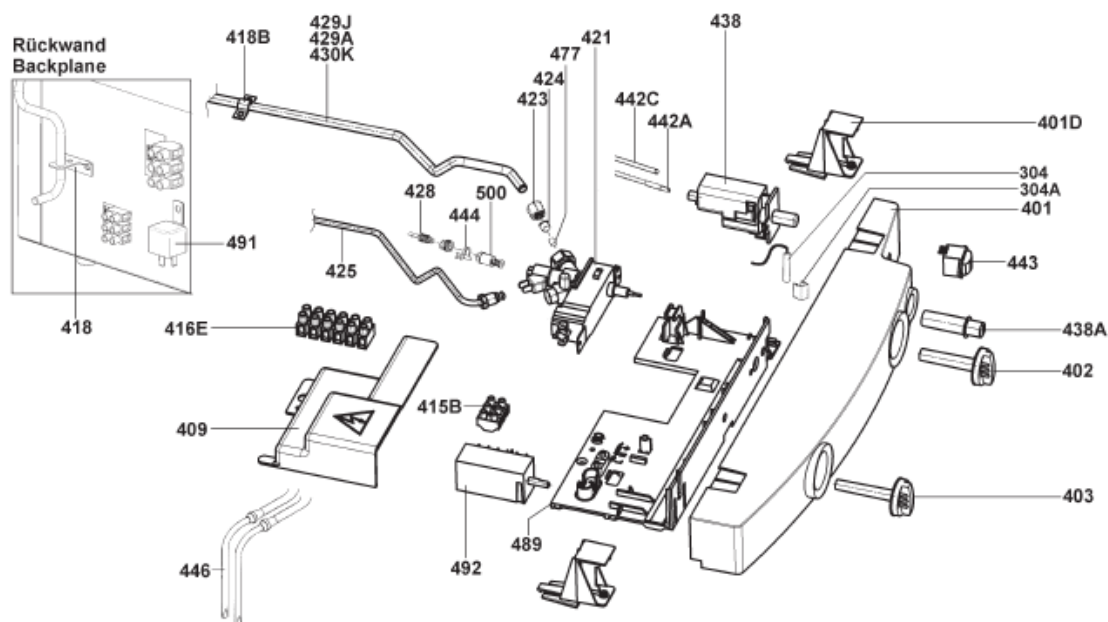
Nur die im Text aufgeführten Ersatzteile sind tatsächlich im Produkt.
 Only the spare parts which are listed are really in the product.
 Endast reservdelar i listan finns i produkten.

(NRM8400G1)

INDENT	DESCRIPTION	LS PART NUMBER
---------------	--------------------	-----------------------

067	SALAD BOX, TRANSPARENT	2413369006
067A	DIVIDER, SALAD BOX	2413377108
202	HINGE	2413321916
204	HINGE, BOTTOM	2413322518
216	HOSE, 8MM	2923346056
220	REAR-EVAPORATOR, COMPLETE	2412606416
220C	REAR EVAPORATOR, FREEZER COMPARTMENT	2413328002
222	FREEZER DOOR FLAP	2412195311
222A	BOTTOM FREEZER COMPARTMENT	2413339108
222B	SLIDER, FOR FREEZER	2413327004
223	HINGE, COMPLETE, FREEZER	2412125011
229A	BOTTOM SHELF	2413379401
229C	UPPER SHELF	2413375607
234	ICE TRAY	IC10305
240	DOOR LOCK, LIGHTIN CABINET	2413267010
275	COVER CAP	2951221056
282	COVER, DOOR LOCK, LIGHTING	2413268018
286	SCREW	2926544004
292	RETAINER, DOOR BOTTOM	2413322211
520	COVER, HARNESS GUIDE	2413320116
565K	BOLT, TORX, B4, 8x19	2951230008

RM8550 – Armature / Fitting

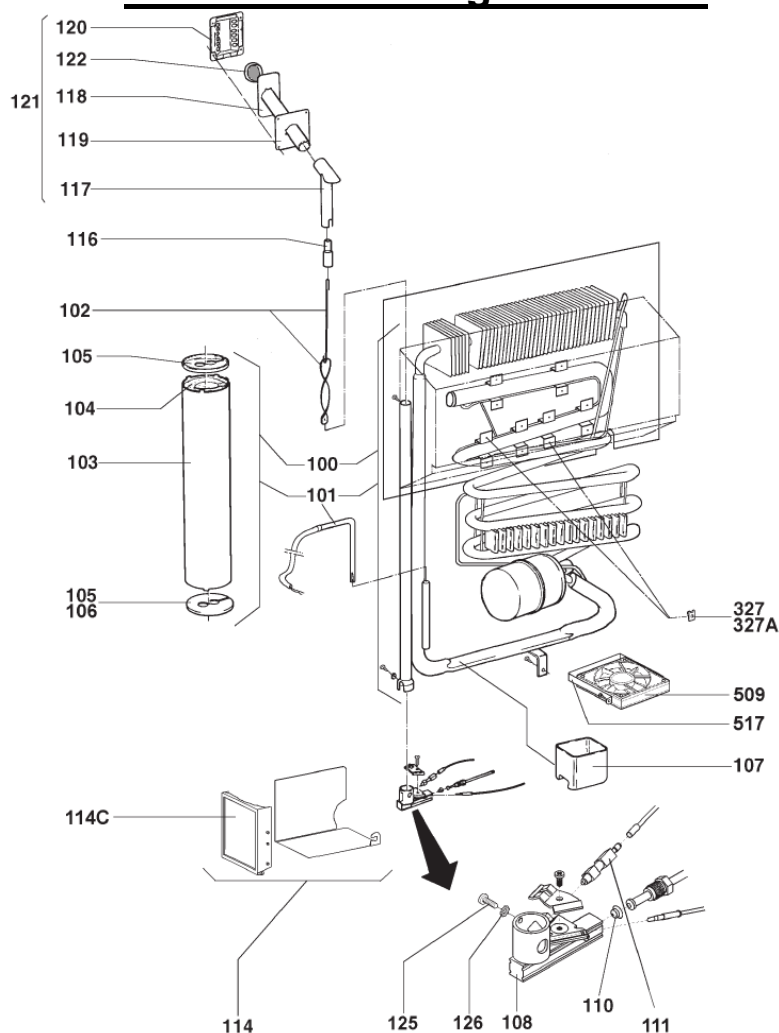


Nur die im Text aufgeführten Ersatzteile sind tatsächlich im Produkt.
Only the spare parts which are listed are really in the product.
Endast reservdelar i listan finns i produkten.

(NRM8400A1)

INDENT	DESCRIPTION	LS PART NUMBER
304	SENSOR, COMPLETE, LIGHTING	2951380118
304A	RETAINER, SENSOR	2413929007
401	CONTROL PANEL	2413353018
401D	RETAINER, CONTROL PANEL	2413193612
402	TURNING KNOB, THERMOSTAT	2413383007
403	TURNING KNOB, SELECTOR SWITCH	2413382009
409	COVER, ELECTRIC	2412093201
415B	TERMINAL BLOCK, 3-POL	2923466045
418B	FIXING CLAMP	2106740000
421	GAS VALVE	GR10025
423	NUT	2923189001
424	SEALING	2923190009
425	GS INLET PIPE	2926775764
428	THERMOCOUPLE	GR10018
429A	GAS CONNECTION	2412423986
438	IGNITOR, BATTERY SERVICE	2923024810
438A	PUSH BUTTON	2923024570
442A	IGNITION CABLE	2927880548
442C	INSULATING HOSE	2935712014
443	DIAL, GAS	2923499210
444	ADAPTOR, INSULATOR	1841874005
446	HEATER, 235V / 135W	2413229317
446	HEATER SERVICE, 12V / 130W	EL10259A
477	FILTER	GR10020
489	INSTRUMENT RETAINER	2412091908
492	SELECTOR SWITCH	EL10303
500	MAGNET INSERT	2106030105

RM8550 – Cooling Generator



Nur die im Text aufgeführten Ersatzteile sind tatsächlich im Produkt.
Only the spare parts which are listed are really in the product.
Endast reservdelar i listan finns i produkten.

(N4400AG09)

INDENT	DESCRIPTION	LS PART NUMBER
100	COOLING UNIT, SERVICE 135W	2413443009
102	BAFFLE	2926212206
103	COAT	2924082304
104	INSULATION	2926680113
105	LID	GB10693
107	EVAPORATION TRAY	2926019304
108	BURNER, WITHOUT NOZZLE	2923430512
110	JET, NR 43	JB10070
111	SPARK PLUG	2923426101
114	SPARES	2412559607
114C	FIXING, COVER, GAS BURNER	2925057206
116	CONNECTING PIECE	FC10116
117	T-PIECE, COMPLETE	2952444400
118	EXHAUST PIPE	FC10119
121	EXHAUST PIPE, ASSEMBLY	2935872206
122	LID	FC10123
126	WASHER	2926559036
327	FASTENER HINGE	2106626001