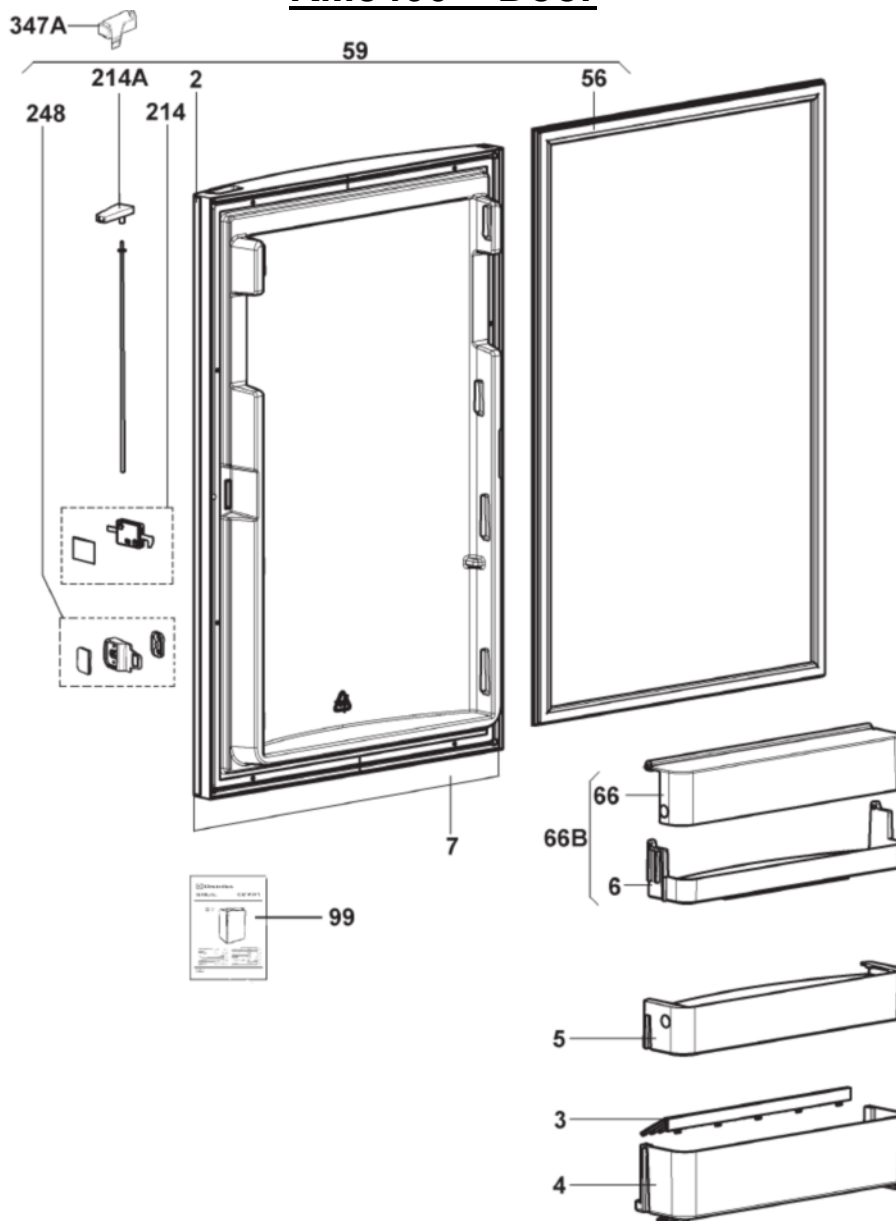


RM8400 – Door

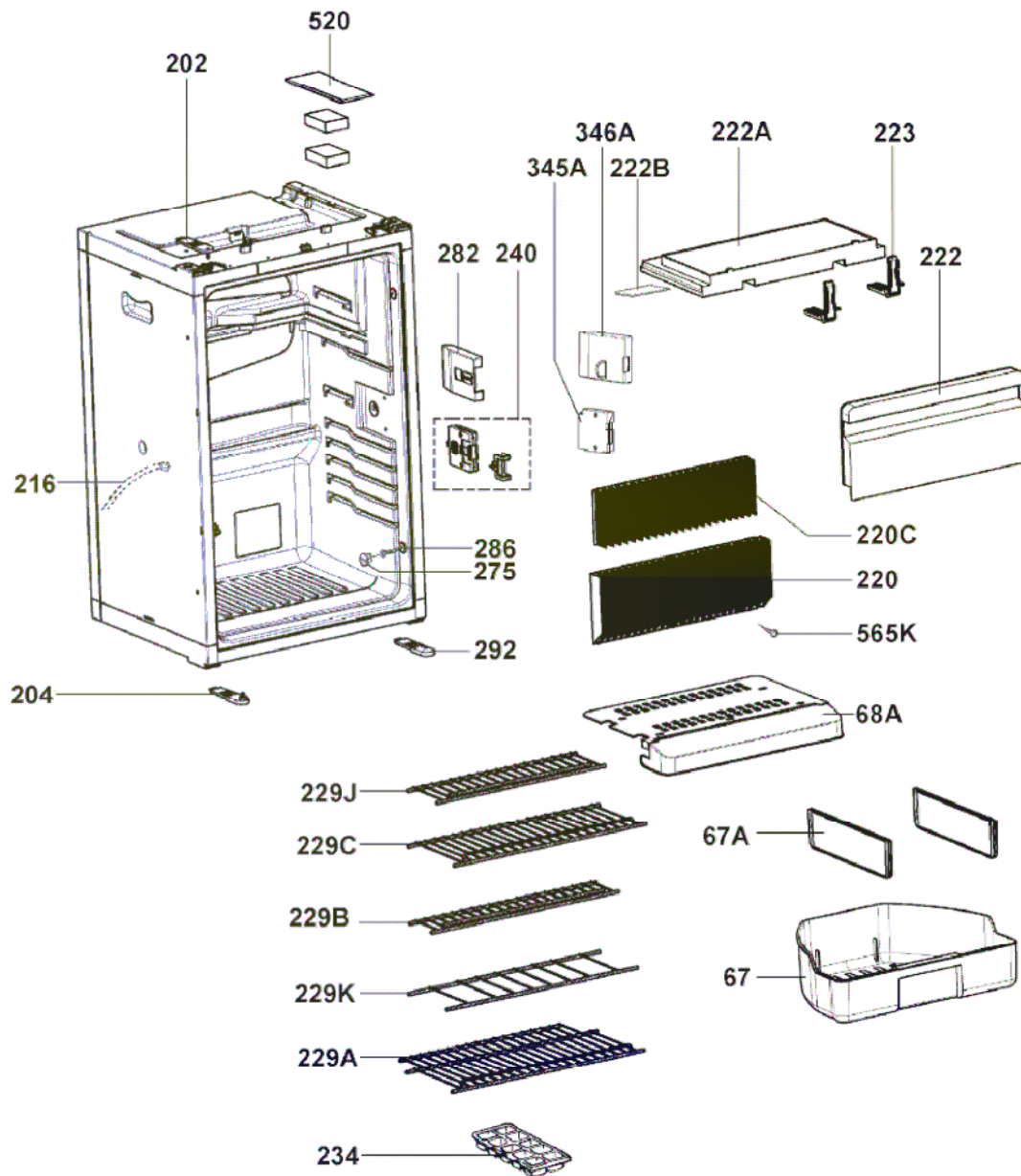


Nur die im Text aufgeführten Ersatzteile sind tatsächlich im Produkt.
 Only the spare parts which are listed are really in the product.
 Endast reservdelar i listan finns i produkten.

(NRM8400T1)

INDENT	DESCRIPTION	LS PART NUMBER
002	COVER LEDGE, DOOR	2413338001
003	BOTTLE RETAINER	29512370209
004	BOTTLE SHELF	2413341104
005	MIDDLE SHELF	2413342102
007	DECORATION PLATE	2413421104
056	DOOR GASKET	2413278132
059	DOOR COMPLETE	2413923117
066B	SHELF WITH COVER	2413938107
099	INSTALLATION	8226102005
214	DOOR LOCK COMPLETE	2413946308
214A	BUTTON, DOOR LOCK	2413260304

RM8400 – Housing



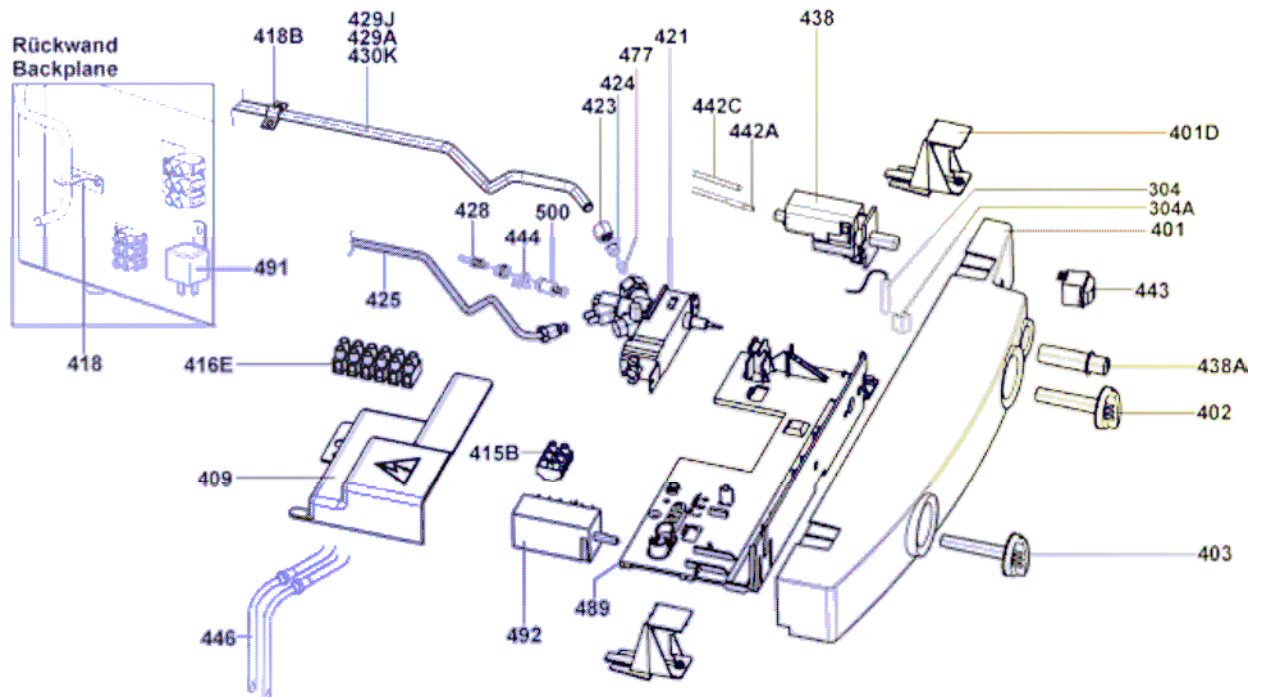
Nur die im Text aufgeführten Ersatzteile sind tatsächlich im Produkt.
 Only the spare parts which are listed are really in the product.
 Endast reservdelar i listan finns i produkten.

(NRM8400G1)

INDENT	DESCRIPTION	LS PART NUMBER
---------------	--------------------	-----------------------

067	SALAD BOX	2413393006
067A	DIVIDER, SALAD BOX	2413377108
202	TOP HINGE	2413321916
204	BOTTOM HINGE	2413322518
216	HOSE, 8MM	2923346056
220	REAR-EVAPORATOR, COMPLETE	2412606218
220C	REAR-EVAPORATOR, FREEZER COMPARTMENT	2413328036
222	FREEZER DOOR	2412116317
222A	BOTTOM, FREEZER COMPARTMENT	2413339207
222B	SLIDER, FOR FREEZER COMPARTMENT	2413327004
223	HINGE, COMPLETE, FREEZER COMPARTMENT	2412125011
229A	BOTTOM SHELF	2413379500
229C	UPPER SHELF	2413375706
234	ICE TRAY	IC10305
240	DOOR LOCK	2413267010
275	COVER CAP	2951221056
282	COVER, DOOR LOCK, LIGHTING	2413268018
286	SCREW	2926544004
292	RETAINER, DOOR BOTTOM	2413322211
520	COVER, HARNESS GUIDE	2413320017
565K	BOLT, TORX B4, 8x19	2951230008

RM8400 – Armature / Fitting

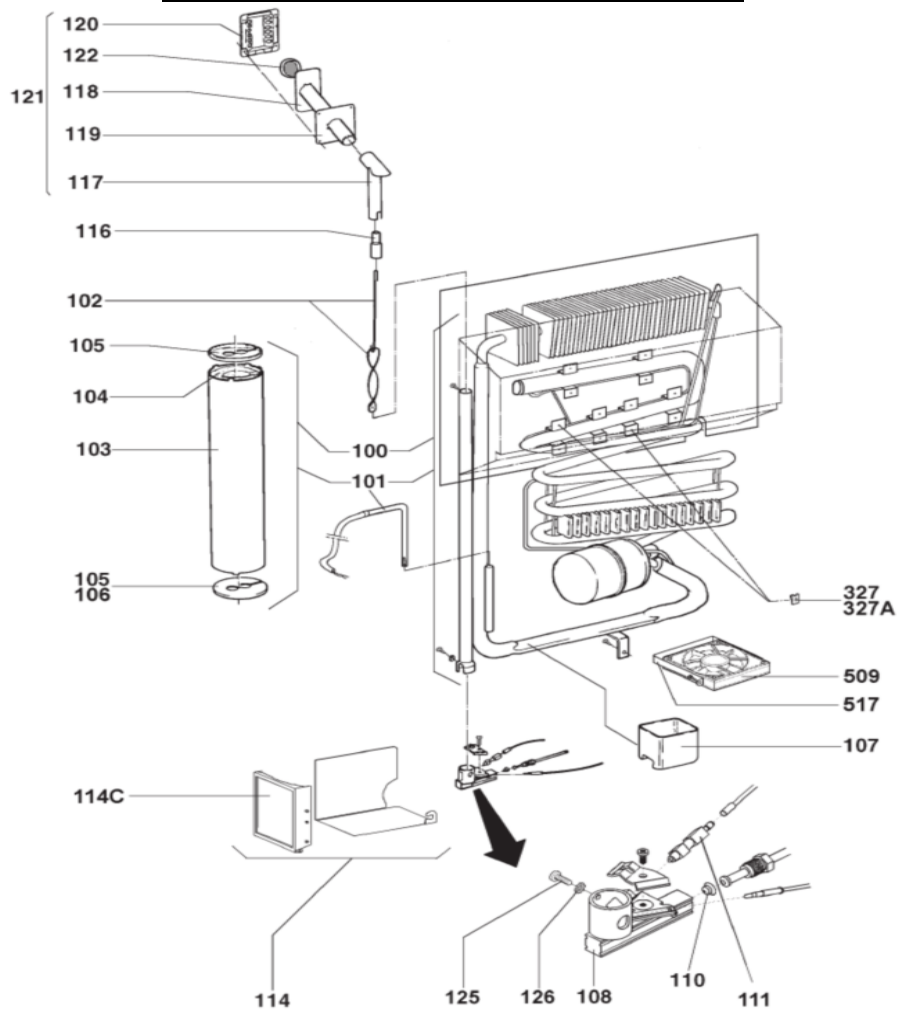


Nur die im Text aufgeführten Ersatzteile sind tatsächlich im Produkt.
Only the spare parts which are listed are really in the product.
Endast reservdelar i listan finns i produkten.

(NRM8400A1)

INDENT	DESCRIPTION	LS PART NUMBER
304	SENSOR, COMPLETE LIGHTING	2951380118
304A	RETAINER, SENSOR, LIGHTING	2413929007
401	CONTROL PANEL	2413388014
401D	RETAINER, CONTROL PANEL	2413193620
402	TURNING KNOB, THERMOSTAT	2413383007
403	TURNING KNOB, SELECTOR SWITCH	2413382009
409	COVER, ELECTRIC	2412093201
415B	TERMINAL BOARD, 3-POL, 4MM2	2413255015
416E	TERMINAL BOARD, 5-POL, 6MM2	2413255114
418B	FIXING CLAMP	2106740000
421	MOUNTING, COMPACT GAS	GR10025
423	NUT	2923189001
424	SEALING	2923190009
425	GAS INLET PIPE	2926775780
428	THERMOCOUPLE	GR10018
429A	GAS CONNECTION	2412423929
438	BATTERY IGNITER	2923024810
438A	PUSH BUTTON, LIGHTER	2923024570
553	IGNITER CABLE	2927880548
442C	INSULATING HOSE	2935712014
443	DIAL, GAS	2923499210
444	ADAPTER, INSULATOR	2952985006
446	HEATER, 235V / 135W	2413229317
446	HEATER, SERVICE 12V / 130W	EL10295A
477	FILTER	GR10020
489	INSTRUMENT RETAINER	2412091908
492	SELECTOR SWITCH, GAS, ELECTRIC	EL10303
500	MAGNET INSERT, MOUNTING	2106030105

RM8400 – Cooling Generator



Nur die im Text aufgeführten Ersatzteile sind tatsächlich im Produkt.
 Only the spare parts which are listed are really in the product.
 Endast reservdelar i listan finns i produkten.

(N4400AG09)

INDENT	DESCRIPTION	LS PART NUMBER
100	COOLING UNIT, 135W	2413443801
102	BAFFLE	2926212206
103	COAT	2924082304
104	INSULATION	2926680113
105	LID	GB10693
106	LID, LOWER	GB10694
107	EVAPORATION TRAY	2926019304
108	BURNER, WITHOUT NOZZLE	2923430512
110	JET NR 43	JB10070
111	SPARK PLUG	2923626101
114	SPARES	2412559607
114C	FIXING, COVER, GAS BURNER	2925057206
116	CONNECTING PIECE	FC10116
117	T-PIECE, COMPLETE	2952444400
118	EXHUAST PIPE	FC10119
121	EXHAUST PIPE, ASSY	2935872206
122	LID	FC10123
126	WASHER	2926559036
327	FASTENER HINGE	2106626001