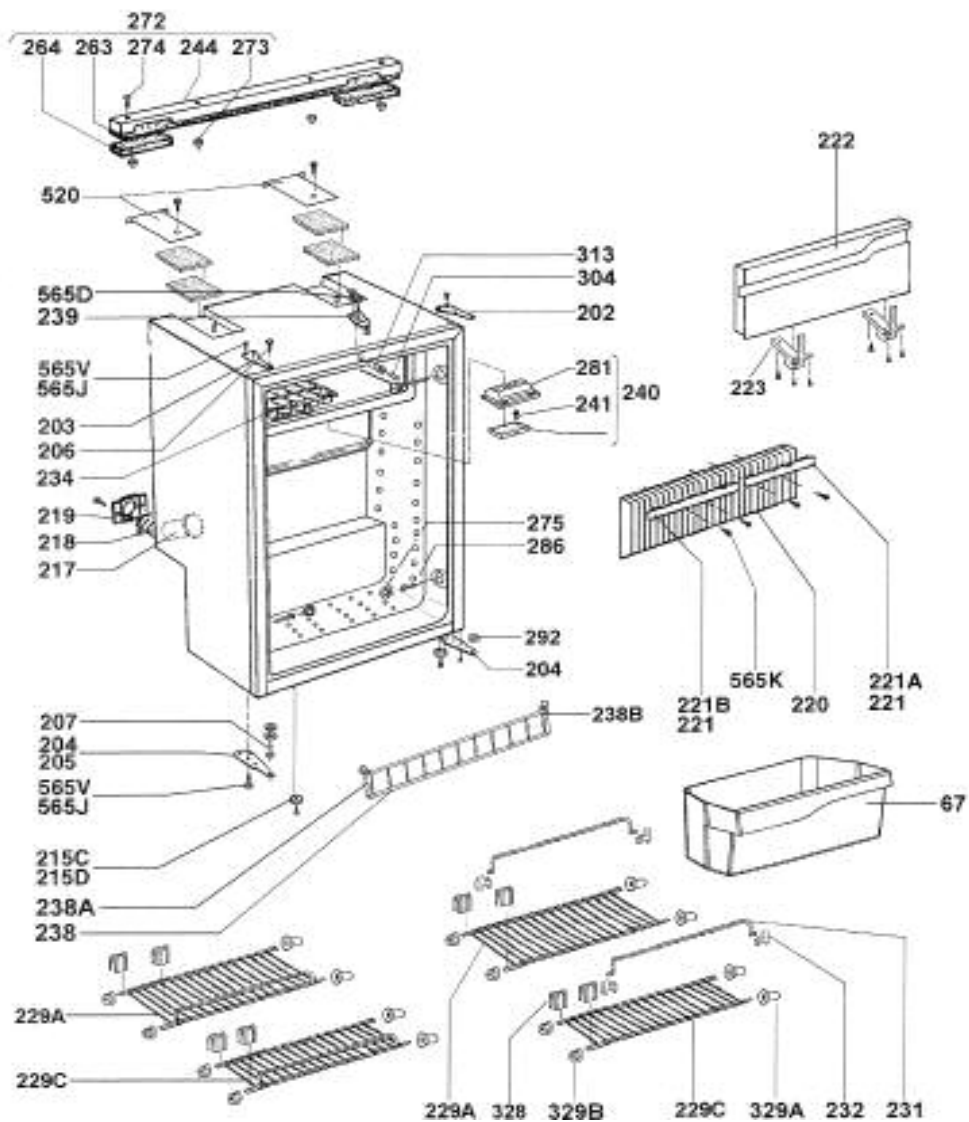
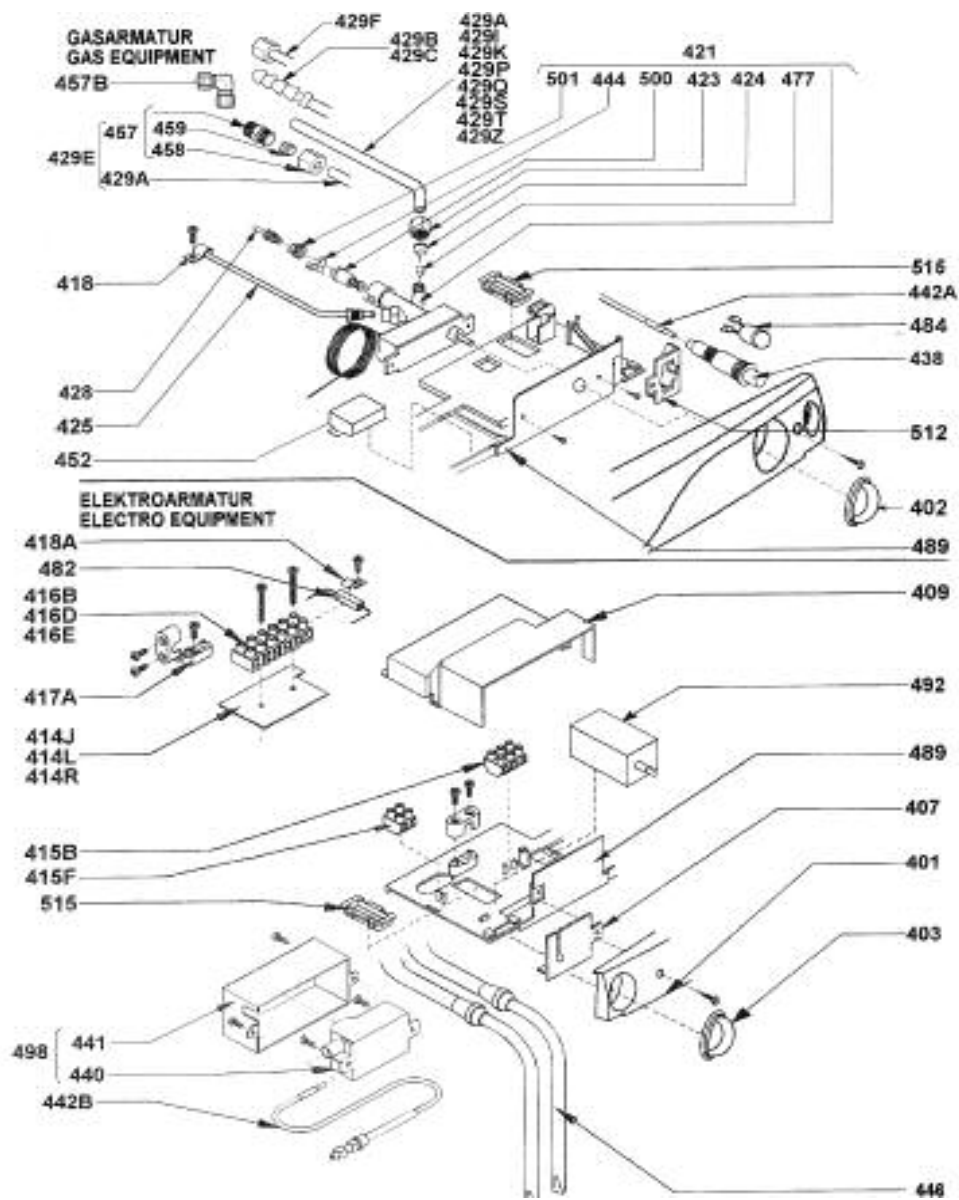


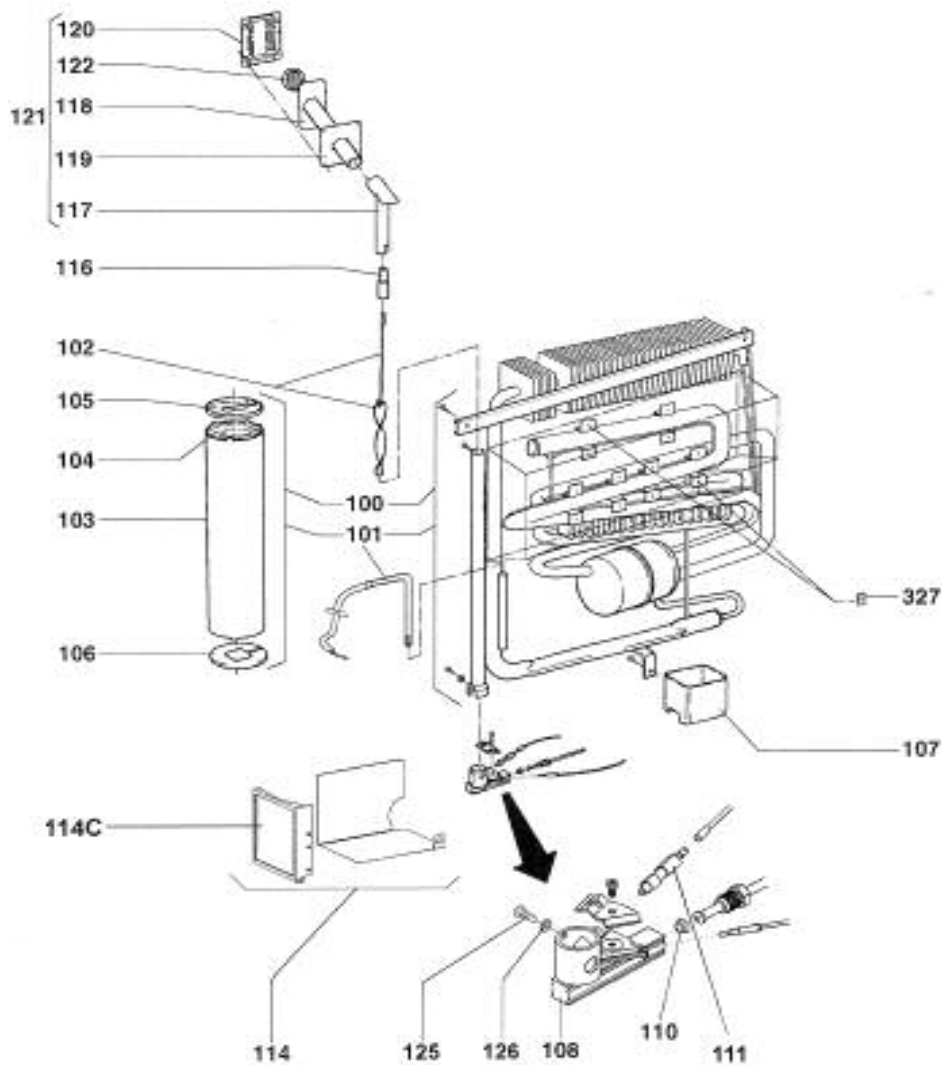
IDENT	DESCRIPTION	LS PART NUMBER
2	COVER LEDGE DOOR	CONTACT LS
3	DIVIDER BOTTLE SHELF	IC10372
4	BOTTLE SHELF	IC10367D
5	MIDDLE SHELF	IC10367D
5A	SADDLE BAG HANGING	IC10367C
36	BOTTLE HOLDER SILVER	IC10367E
59	DOOR	PRODUCTION NO REQD
66B	SHELF WITH BLUE LID	IC10377
67	SALAD BOX BASE	IC10366
68	SALAD BOX LID	IC10367
214	TRAVEL CATCH	TR10424
214A	SLIDER	2412883304
565D	CSK SCREW	CONTACT LS



IDENT	DESCRIPTION	LS PART NUMBER
202	HINGE UPPER RIGHT	CONTACT LS
203	HINGE UPPER LEFT	HI10392
204	HINGE LOWER RIGHT	HI10390
205	HINGE LOWER LEFT	HI10391
215D	FOOT BLACK	CONTACT LS
217	FLAME VIEWER	MI10460
218	DISC GLASS	2926724002
219	RETAINER	2926004009
220	REAR EVAPORATOR	CONTACT LS
221A	CANOPY	CONTACT LS
221B	CANOPY	CONTACT LS
222	FREEZER DOOR	IC10369
223	HINGE ASSY	HI10387
229A	SHELF	2412080208
229C	SHELF UPPER	IC10362
231	UPSTAND	IC10362A
232	HOLDER	MI10471
234	ICE TRAY	IC10305
239	BRACKET	TR10424A
275	COVER CAP	2951221031
292	SPARES	CONTACT LS
328	FITTING - SHELF	MI10472
329A	FIXING RIGHT	MI10473
329B	FIXING LEFT	MI10473A
520	CANOPY	CONTACT LS



IDENT	DESCRIPTION	LS PART NUMBER
401	FASCIA	FA10583
402	THERMOSTAT KNOB	CK10528
403	SELECTOR SWITCH KNOB	NO LONGER AVAILABLE
407	BOSS SELECTOR SWITCH	M110476
409	CANOPY	EP10625A
414J	INSULATION	CONTACT LS
415B	TERM BLOCK	CONTACT LS
416E	TERM BLOCK	CONTACT LS
418	FIX CLAMP	CONTACT LS
421	GAS VALVE + STAT	GR10025
423	NUT	CONTACT LS
424	OLIVE	2923190009
425	GAS INLET PIPE	2951708508
428	THERMOCOUPLE	GR10018
429A	GAS CONN PIPE	CONTACT LS
438	PIEZO IGNITER	IG10226
442A	IGNITION CABLE	IG10206
444	ADAPTOR INSUL	CONTACT LS
446	HEATER ELEMENT 230V 125W	2413137007
446	HEATER ELEMENT 12V 100W	EL10259
452	CANOPY	CONTACT LS
477	FILTER	GR10020
489	RETAINER	CONTACT LS
492	SEL SWITCH GAS/ELECTRIC	EL10303
512	HOLDER	2106453109
515	HOLDER	CONTACT LS



IDENT	DESCRIPTION	LS PART NUMBER
100	COOLING UNIT COMPLETE	PRODUCTION N0 REQD
102	BAFFLE	FC10115
103	COAT	GB10691
104	INSULATION	CONTACT LS
105	LID	GB10693
106	LID LOWER	GB10694
107	EVAPORATION TRAY	2926019304
108	GAS BURNER	JB10069
110	JET 43	JB10070
111	ELECTRODE	IG10233
114	SPARES	CONTACT LS
114C	FIXING COVER	CONTACT LS
116	CONN PIECE	FC10116
121	FLUE KIT COMPLETE	FC10101
125	PART NOT AVAILABLE	NA
126	WASHER	CONTACT LS
327	FASTENER HINGE	CONTACT LS