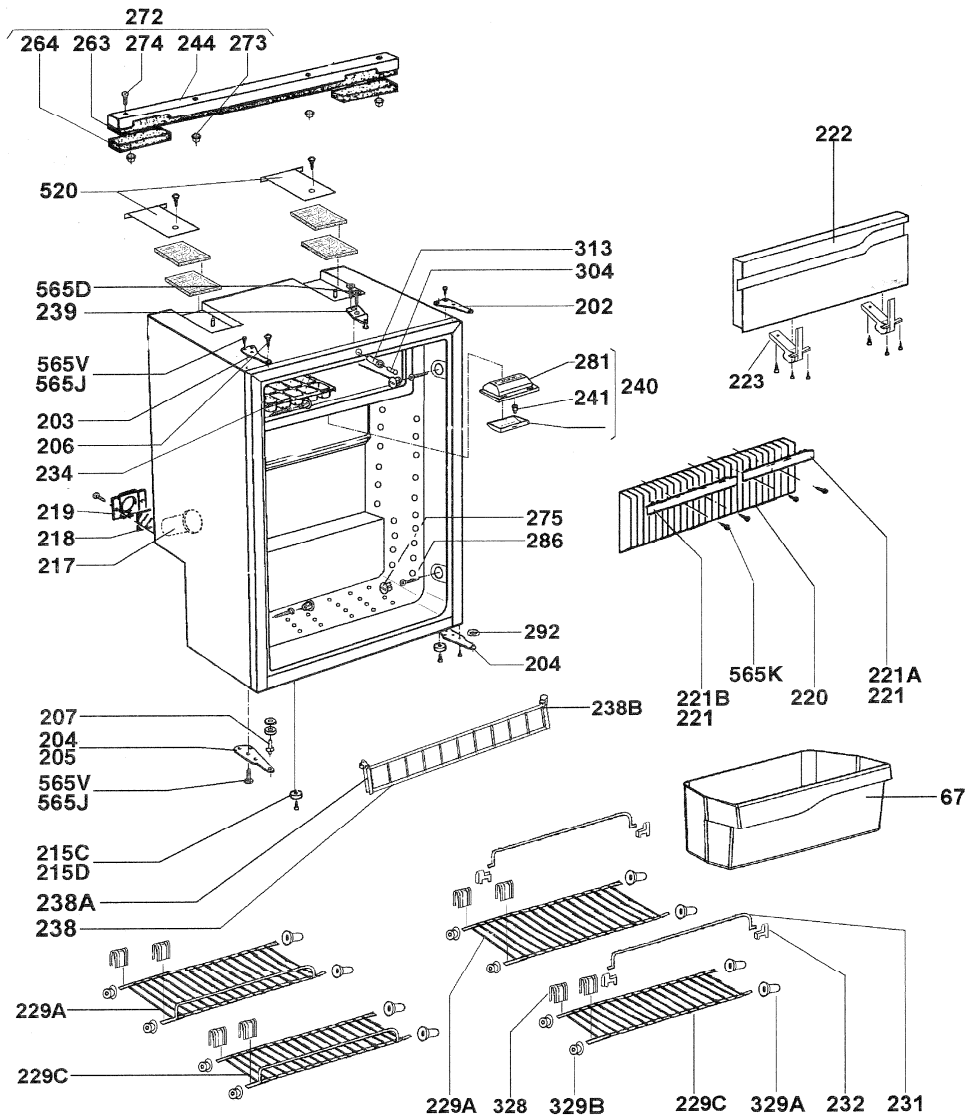
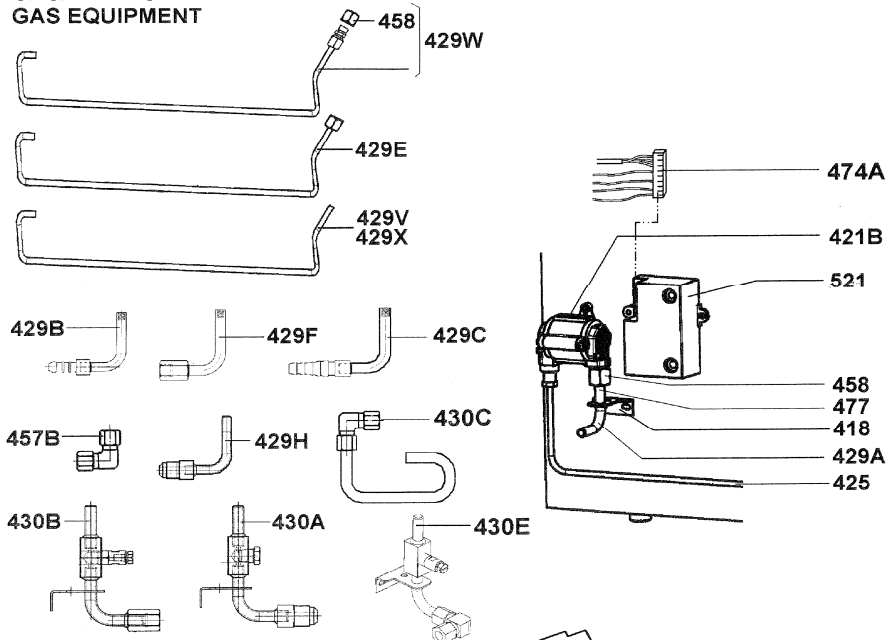


IDENT	DESCRIPTION	LS PART NUMBER
2	COVER LEDGE DOOR	CONTACT LS
3	SHELF DIVIDER	IC10372
4	BOTTLE SHELF	IC10363
5	MIDDLE SHELF	IC10367B
5A	SADDLE BAG HANGING	IC10367C
36	BOTTLE HOLDER	IC10364
59	DOOR	PRODUCTION NO REQD
66B	SHELF WITH BLUE LID	IC10363A
67	SALAD BOX BASE	IC10371A
68	SALAD BOX LID	IC10371B
99	PART NOT AVAILABLE	NA
214	TRAVEL CATCH COMPLETE	2412757607
214A	SLIDER TRAVEL CATCH	2412883403
565D	CSK SCREW	CONTACT LS

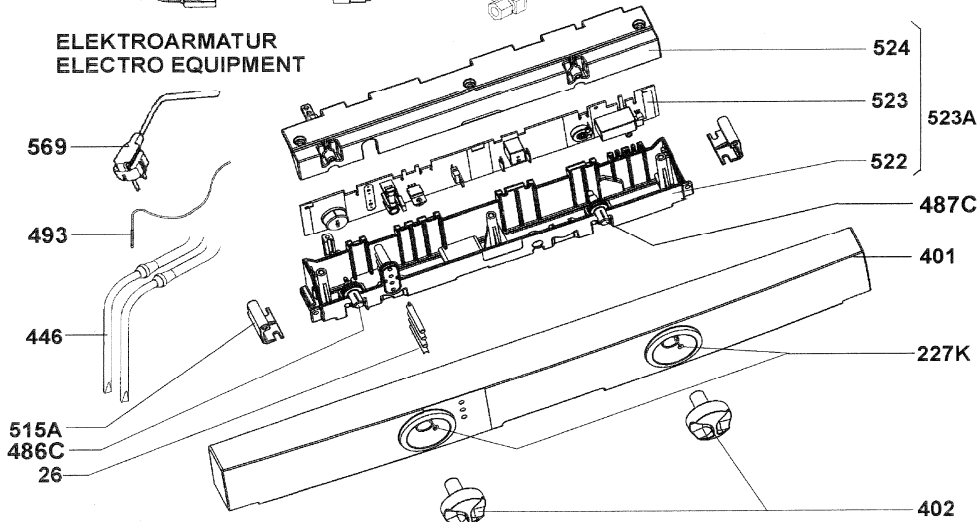


IDENT	DESCRIPTION	LS PART NUMBER
202	HINGE UPPER RIGHT	CONTACT LS
203	HINGE UPPER LEFT	HI10392
204	HINGE LOWER RIGHT	HI10390
205	HINGE LOWER LEFT	HI10391
207	PART NOT AVAILABLE	NA
220	REAR EVAPORATOR	CONTACT LS
221A	CANOPY REAR EVAPORATOR	CONTACT LS
221B	CANOPY REAR EVAPORATOR	CONTACT LS
222	FREEZER DOOR	IC10365
223	HINGE ASSY	HI10387
229A	SHELF UPPER	IC10360
229C	SHELF LOWER	IC10359
231	UPSTAND	IC10360A
232	HILDER BRACKET	MI10471
234	ICE TRAY	IC10305
238	RETAINER VEGETABLES	CONTACT LS
238A	FIXING	CONTACT LS
238B	FIXING	CONTACT LS
239	DOOR LOCK BRACKET	TR10424A
275	COVER CAP	2951221031
292	SPARES	CONTACT LS
328	SHELF FITTING	MI10472
329A	FIXING RIGHT	MI10473
329B	FIXING LEFT	MI10473A
520	CANOPY REAR EVAPORATOR	CONTACT LS

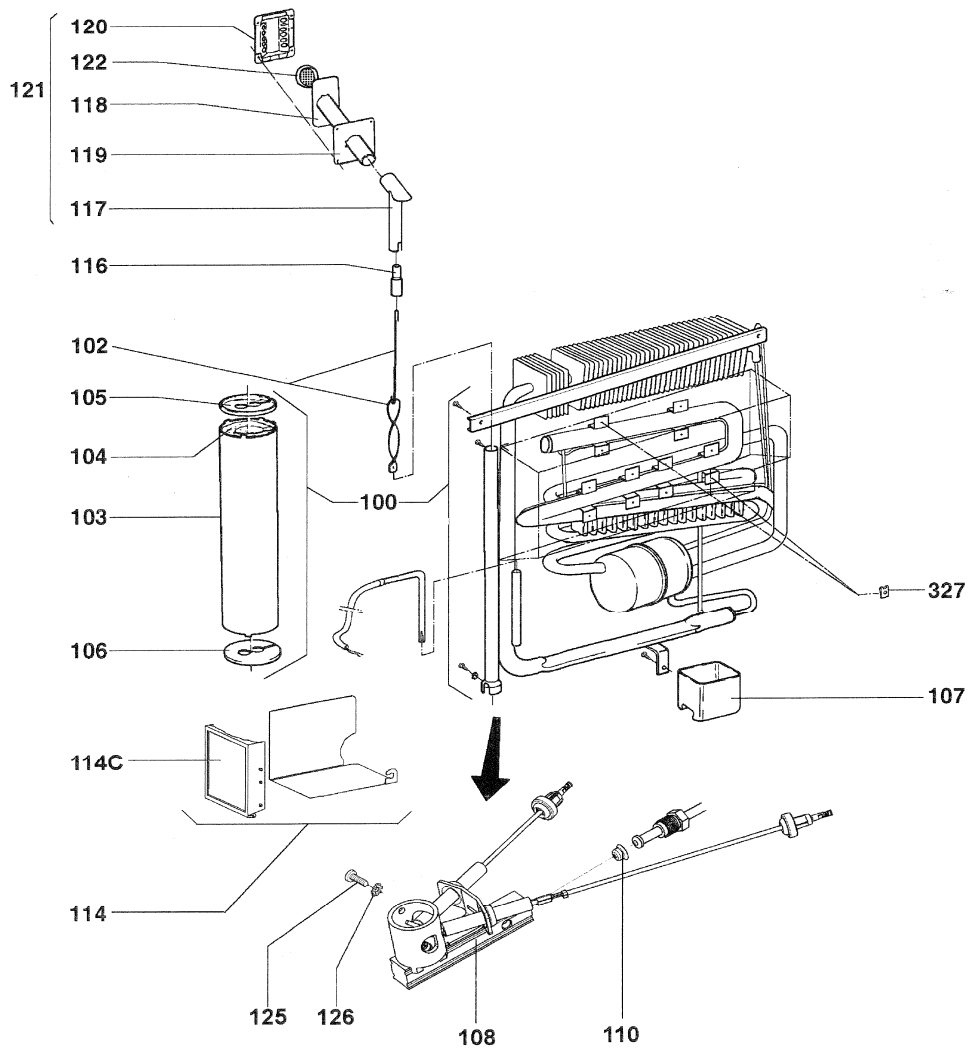
**GASARMATUR
GAS EQUIPMENT**



**ELEKTROARMATUR
ELECTRO EQUIPMENT**



IDENT	DESCRIPTION	LS PART NUMBER
26	LIGHT CONDUCTOR	CONTACT LS
401	FASCIA	2412887404
402	TURNING KNOB GREY	2412787208
418	HALTEWINKEL GASANSCHL-ROHR	CONTACT LS
421B	VALVE GV100	2412798205
425	GAS INLET PIPE COMPLETE	CONTACT LS
429A	GAS CONNECTION D=8/X80MM	CONTACT LS
446	HEATING ELEMENT 12V 100W	EL10259
446	HEATING ELEMENT 230V 125W	EL10310
474A	CONN WIRING	2412796308
477	FILTER	GR10020
486C	SHAFT SEL SW BLACK	CONTACT LS
487C	SHAFT TEMP GREY	2412785004
493	TEMP PROBE	CONTACT LS
515A	FIXING ANGLE	CONTACT LS
521	ELECTRONIC IGNITER	IG10238
523A	ELECTRONIC ASSEMBLY COMPLETE	2412771103
569	CONN WIRING	CONTACT LS



IDENT	DESCRIPTION	LS PART NUMBER
100	COOLING UNIT COMPLETE	PRODUCTION N0 REQD
102	BAFFLE	FC10115
103	COAT	GB10691
104	INSULATION	CONTACT LS
105	LID UPPER	GB10693
106	LID LOWER	GB10694
107	EVAPORATION TRAY	2926019304
108	GAS BURNER	JB10075
110	JET 43	JB10070
114	SPARES	CONTACT LS
114C	FIXING COVER GAS BURNER	CONTACT LS
121	FLUE KIT COMPLETE	FC10101
125	PART NOT AVAILABLE	NA
126	WASHER	CONTACT LS
327	FASTENER HINGE	CONTACT LS