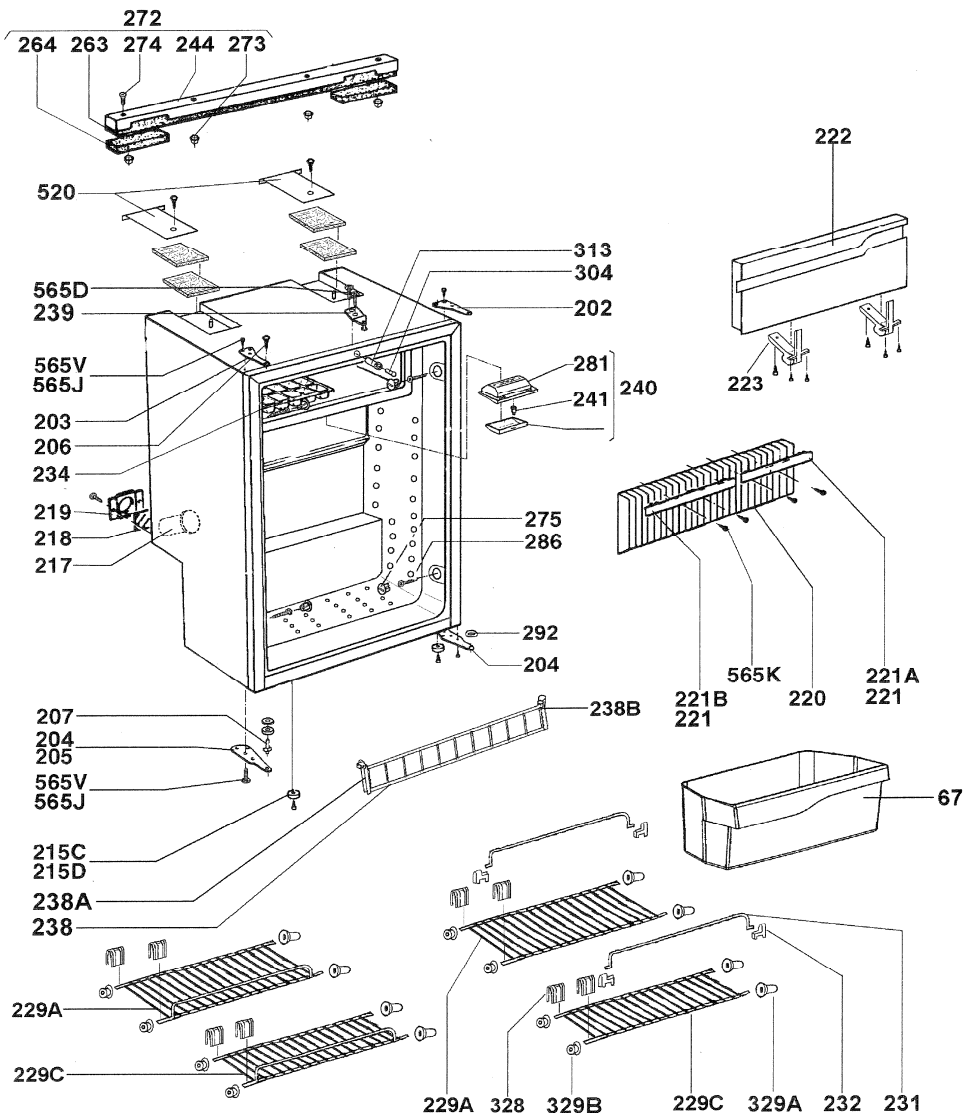
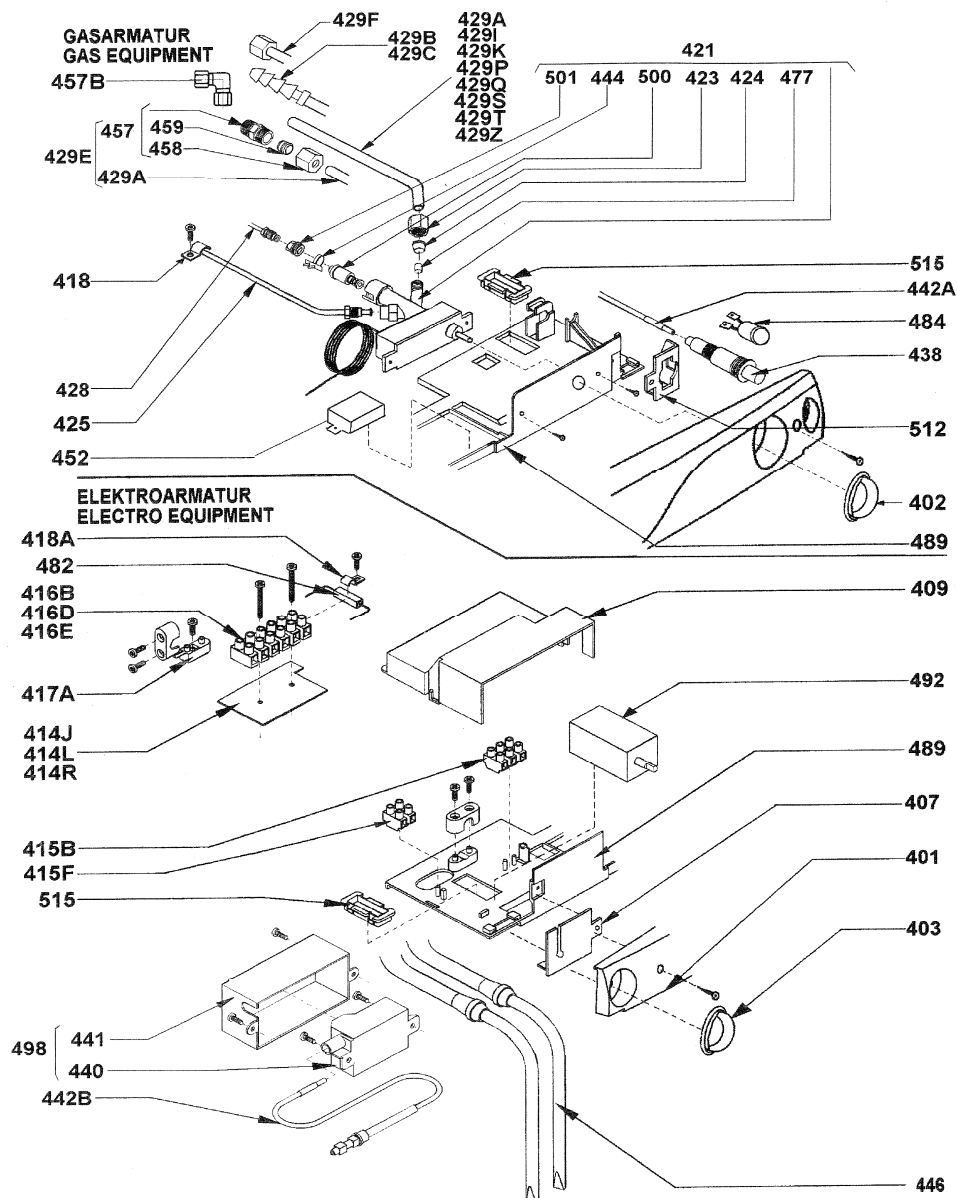


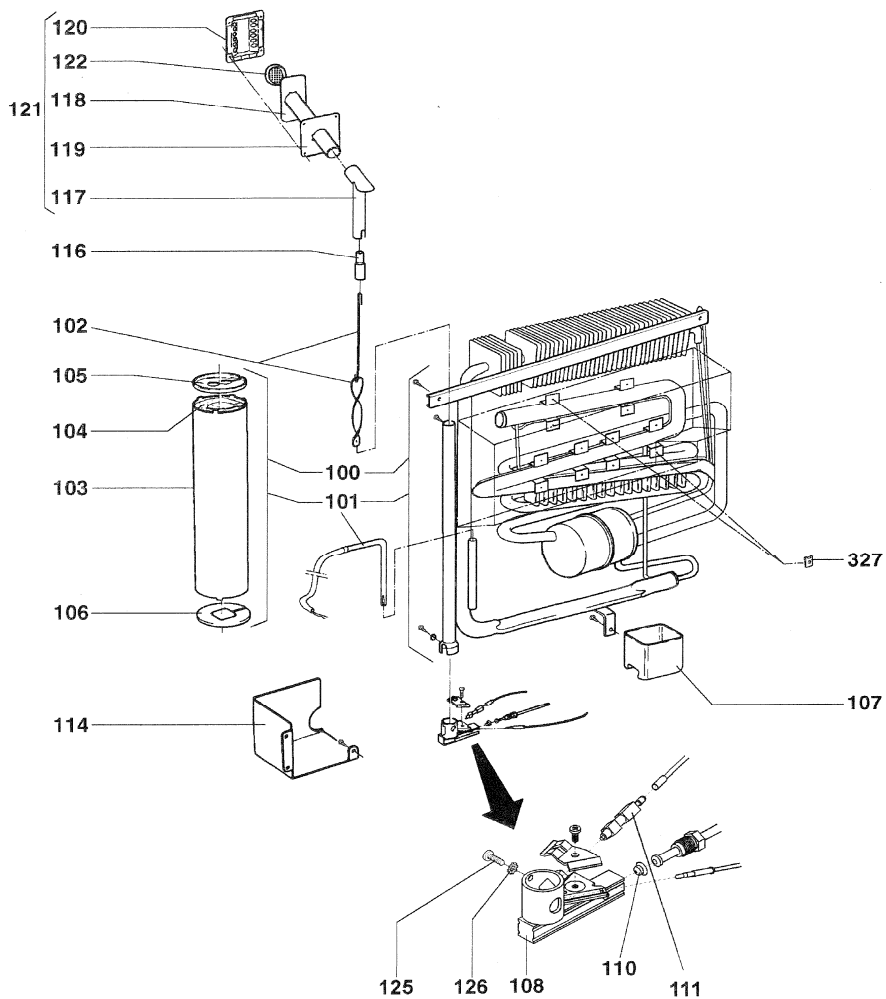
IDENT	DESCRIPTION	LS PART NUMBER
2	COVER LEDGE DOOR	CONTACT LS
3	SHELF DIVIDER	IC10372
4	BOTTLE SHELF	IC10363
5	MIDDLE SHELF	IC10367B
5A	SADDLE BAG HANGING	IC10367C
36	BOTTLE HOLDER SILVER	IC10364
59	DOOR	PRODUCT N0 REQD
66B	SHELF WITH BLUE LID	IC10363A
67	SALAD BOX BASE	IC10371A
68	SALAD BOX LID	IC10371B
99	OPERATING INSTRUCTIONS	CONTACT LS
214	TRAVEL CATCH COMPLETE	TR10424
214A	SLIDER TRAVEL CATCH	2412883304
565D	CSK SCREW	CONTACT LS



IDENT	DESCRIPTION	LS PART NUMBER
202	HINGE UPPER RIGHT	CONTACT LS
203	HINGE UPPER LEFT	HI10392
204	HINGE LOWER RIGHT	HI10390
205	HINGE LOWER LEFT	HI10391
215D	FOOT BLACK	CONTACT LS
217	FLAME VIEWER	MI10460
218	GLASS DISC	2926724002
219	RETAINER	2926004009
220	REAR EVAPORATOR COMPLETE	CONTACT LS
221A	CANOPY	CONTACT LS
221B	CANOPY	CONTACT LS
222	FREEZER DOOR	IC10365
223	HINGE ASSY	HI10387
229A	SHELF	IC10360
229C	LOWER CAB SHELF	IC10359
231	UPSTAND	IC10360A
232	HOLDER BKT	MI10471
234	ICE TRAY	IC10305
239	BKT TRAVEL CATCH	TR10424A
275	COVER CAP	2951221031
292	SPARES	CONTACT LS
328	SHELF FITTING	MI10472
329A	SHELF FIXING RIGHT	MI10473
329B	SHELF FIXING LEFT	MI10473A



IDENT	DESCRIPTION	LS PART NUMBER
401	FASCIA	FA10582
402	TURNING KNOB,THERMOSTAT,NCS S	CK10528
403	TURNING KNOB,SELECTOR SWITCH,N	2412137107
407	BOSS,SELECTOR SWITCH	MI10476
409	CANOPY,ELECTRIC,BLACK	EP10625A
414J	INSULATION	CONTACT LS
415B	TERMINAL BLOCK,3-POL	CONTACT LS
416E	TERMINAL BLOCK,3-POL	CONTACT LS
418	FIXING CLAMP,D=8	CONTACT LS
421	GAS VALVE + STAT	GR10025
423	NUT	CONTACT LS
424	SEALING	2923190009
425	GAS INLET PIPE,COMPLETE,D=4,75	2951708508
428	THERMO ELEMENT,L=1400MM	GR10018
429A	PIPE,GAS CONNECTION	CONTACT LS
438	-----SPARES	CONTACT LS
442A	IGNITION CABLE,1350MM	IG10206
444	ADAPTOR,INSULATOR	CONTACT LS
446	HEATINGELEMENT	EL10259
446	HEATER,230V/125W	2413137007
452	CANOPY,THERMOSTAT,BLACK	CONTACT LS
477	FILTER	GR10020
489	INSTRUMENT RETAINER,L=483MM	CONTACT LS
492	SELECTOR SWITCH,GAS,ELECTRIC	EL10303
512	HOLDER.	2106453109
515	HOLDER.	CONTACT LS



IDENT	DESCRIPTION	LS PART NUMBER
100	COOLING UNIT COMPLETE	PRODUCTION N0 REQD
102	BAFFLE	FC10115
103	COAT	2924082205
104	INSULATION	CONTACT LS
105	LID	GB10693
106	LID LOWER	GB10694
107	EVAPORATION TRAY	2926019304
108	GAS BURNER	JB10069
110	JET 43	JB10070
111	ELECTRODE	IG10233
114	SPARES	CONTACT LS
116	CONNECTING PIECE	FC10116
121	FLUE KIT COMPLETE	FC10101
125	PART NOT AVAILABLE	NLA
126	WASHER	CONTACT LS
327	FASTENER HINGE	CONTACT LS