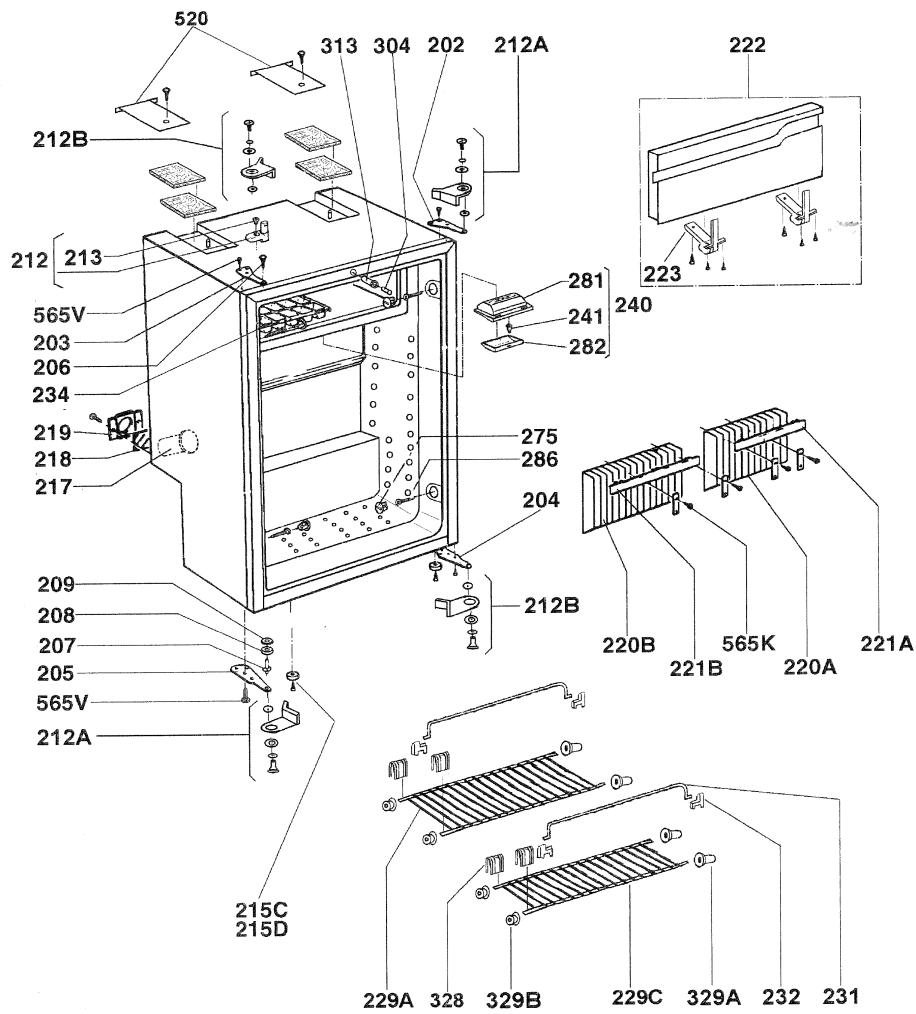
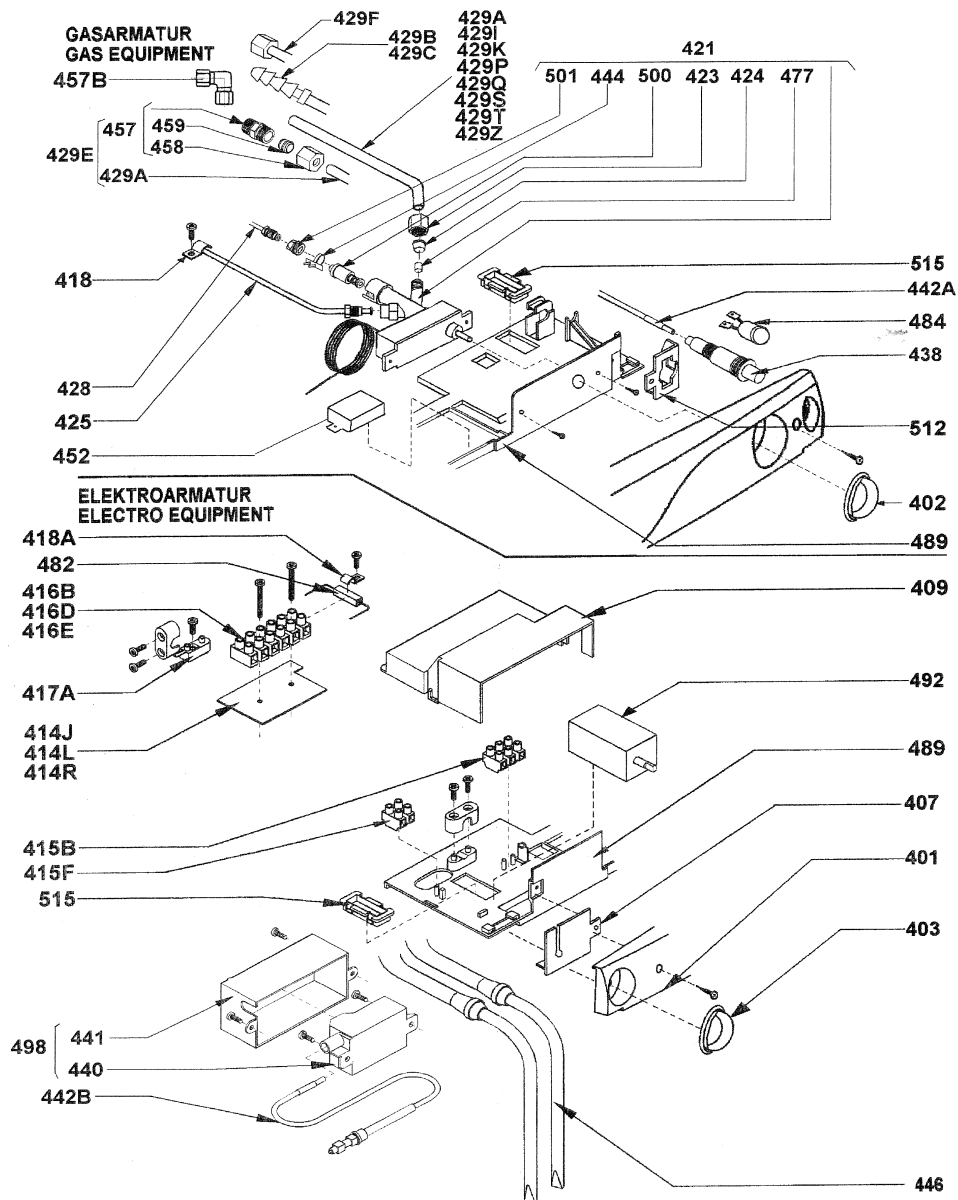


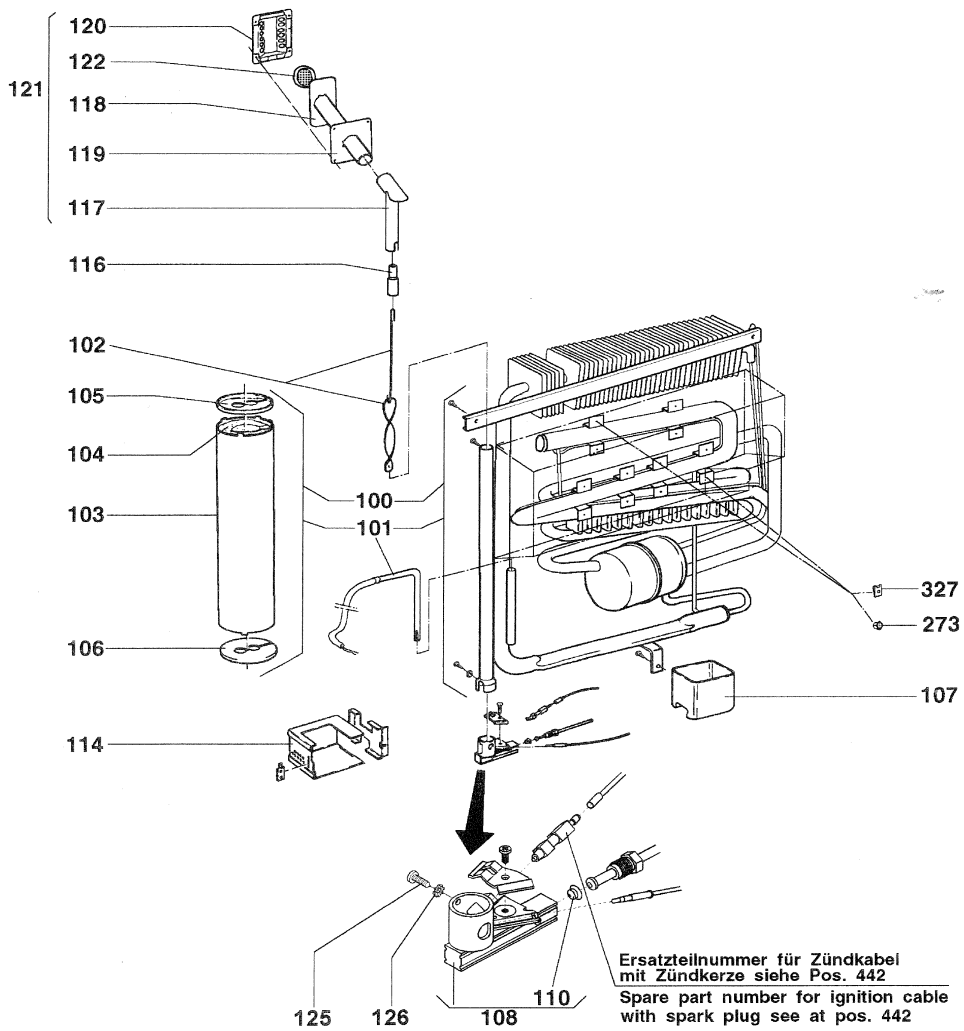
IDENT	DESCRIPTION	LS PART NUMBER
1	DOOR COMPLETE	PRODUCTION N0 REQD
2	COVER LEDGE	CONTACT LS
3	BOTTLE SHELF DIVIDER	MI10474
4	BOTTLE SHELF	IC10367D
5A	SADDLE BAG SHELF	IC10367C
36	BOTTLE HOLDER	IC10367E
38	BEZEL	CONTACT LS
59	DOOR SERVICE	PRODUCTION N0 REQD
66B	SHELF WITH LID	IC10377
67	SALAD BOX BASE	IC10366
68	SALAD BOX LID	IC10367



IDENT	DESCRIPTION	LS PART NUMBER
202	HINGE UPPER RIGHT	CONTACT LS
203	HINGE UPPER LEFT	HI10392
204	HINGE LOWER RIGHT	HI10390
205	HINGE LOWER LEFT	HI10391
212	TRAVEL CATCH	TR10422A
215D	FOOT BLACK	CONTACT LS
220A	EVAPORATOR RIGHT	CONTACT LS
220B	EVAPORATOR LEFT	CONTACT LS
221A	CANOPY	CONTACT LS
221B	CANOPY	CONTACT LS
222	FREEZER DOOR	IC10369
223	HINGE ASSY	HI10387
229A	SHELF WIDE	2413222502
229C	SHELF NARROW	2413222601
231	UPSTAND	IC10362A
232	HOLDER BKT	MI10471
234	ICE TRAY	IC10305
240	LIGHTING COMPLETE	EL10294A
241	LAMP 8V/2W	EL10294
281	LIGHTING	CONTACT LS
304	SWITCH	2951380001
313	PROBE	CONTACT LS
328	FITTING SHELF	MI10472
329A	FIXING RIGHT	MI10473
329B	FIXING LEFT	MI10473A



IDENT	DESCRIPTION	LS PART NUMBER
401	FASCIA	FA10578A
402	KNOB GAS THERMOSTAT	CK10523
403	KNOB SELECTOR SWITCH	CK10524
407	BOSS SELECTOR SWITCH	MI10476
409	CANOPY	EP10625A
415B	TERM BLOCK	CONTACT LS
417A	ANTI STRAIN CLIP	CONTACT LS
418	FIXING CLAMP	CONTACT LS
421	GASVALVE / THERMOSTAT	GR10025
428	THERMOCOUPLE 1400MM	GR10018
441	COVER BLACK	CONTACT LS
442B	ELECTRODE + LEAD	IG10229
446	HEATER ELEMENT 12V/100W	EL10259
446	HEATER ELEMENT 240V/125W	2413137031
452	CANOPY THERMOSTAT BLACK	CONTACT LS
477	FILTER	GR10020
482	RESISTOR 4W 15OHM	CONTACT LS
484	CONTROL LAMP ORANGE	IG10237
489	INSTRUMENT RETAINER	2412091106
492	SELECTOR SWITCH	EL10303
498	IGNITER	2951654207



IDENT	DESCRIPTION	LS PART NUMBER
100	COOLING UNIT COMPLETE SERVICE	PRODUCTION NO REQD
101	COOLING UNIT COMP 12V/120W	PRODUCTION NO REQD
102	BAFFLE	FC10115
103	COAT	GB10691
104	INSULATION	CONTACT LS
105	LID UPPER	GB10693
106	LID LOWER	GB10694
107	EVAPORATION TRAY	2926019304
108	BURNER ASSY WITH JET 45	JB10071
110	JET 45	JB10058
116	CONNECTING PIECE	FC10116
121	FLUE KIT COMPLETE	FC10101