

S6- / S6.4- / S6.5-Windows*

Art. 1320

Content

Ordering Details

Dimensions S6

Dimensions P6

Technical Drawings S6

Technical Drawings S6.4

Technical Drawings S6.5

Spare Parts Main Parts complete S6 (Top Hung/Fixed Window)

Spare Parts Assembly Parts for Glazing Panels S6 (Top Hung/Fixed Window)

Spare Parts Interior Cover S6

Spare Parts Interior Cover S6.4

Spare Parts Interior Cover S6.5

Spare Parts Top Hung-/Fixed Window – Exterior Frame S6/S6.4/S6.5

Spare Parts Rollo S6

* = only for manufacturers

Ordering Details S6-Window*

Type: S 6
 S 6.4
 S 6.5

Version: Top hung window
 Fixed window

Glass: Acrylic grey

Wall thickness: _____ mm

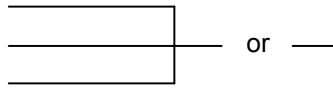
Ordering sizes: Width: _____ mm
 (see list on page 3/14) Height: _____ mm

Colours:

Exterior frame RAL 9005 Profile silver anodized
 RAL _____

Interior Frame RAL 1013 Profile silver anodized
 RAL 7035 light grey

Blind alu / white
 alu / sand
 alu / grey



Shower blind Opaque 

Flynet white

Customer: _____ Part No. Customer. _____

Remarks: _____

Signature: _____ Date: _____

* = only for manufacturers

Dimension S6 – Window *

Ordering size	Version			Top hung window	Fixed window	Total dimension	Aperture size	Clearance	Dimension pane Top hung/Fixed window
	S 6	S 6.4	S 6.5						
600x550	X			X	X	644x582	599x549	500x415	568x482
750x600	X	X	X	X	X	797x631	750x599	650x465	721x532
800x900	X			X	X	846x933	801x901	700x765	772x832
800x1200	X			X	X	849x1230	806x1198	700x1065	772x1130
900x450	X	X	X	X	X	947x479	902x449	800x315	871x380
900x500	X	X	X	X	X	947x532	902x499	800x365	871x431
1000x600	X	X	X	X	X	1048x632	1002x599	900x465	972x532
1000x700***	X			X	X	1048x732	1003x699	900x565	972x632
1200x600	X	X	X	X	X	1249x631	1203x599	1100x465	1172x532
1300x600	X	X	X	X	X	1343x631	1297x599	1200x465	1266x532
1300x700	X			X	X	1350x734	1303x699	1200x565	1272x632
1600x700***	X			X	X	1650x733	1604x700	1500x565	1574x632
1700x700***	X			X	X	1750x733	1704x700	1600x565	1675x632

* = only for manufacturers

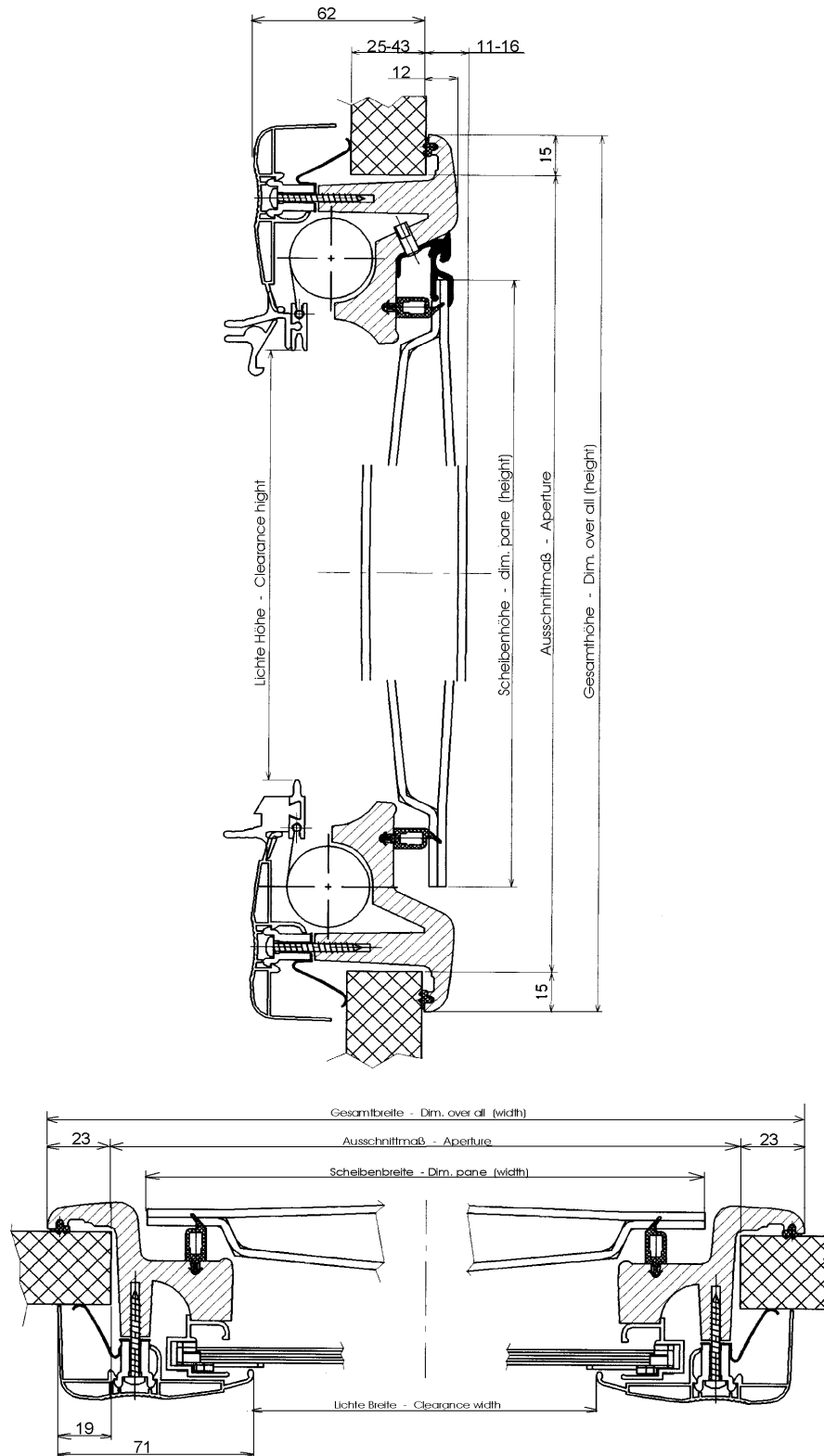
*** = radius = 4000

Dimension P6 – Window *

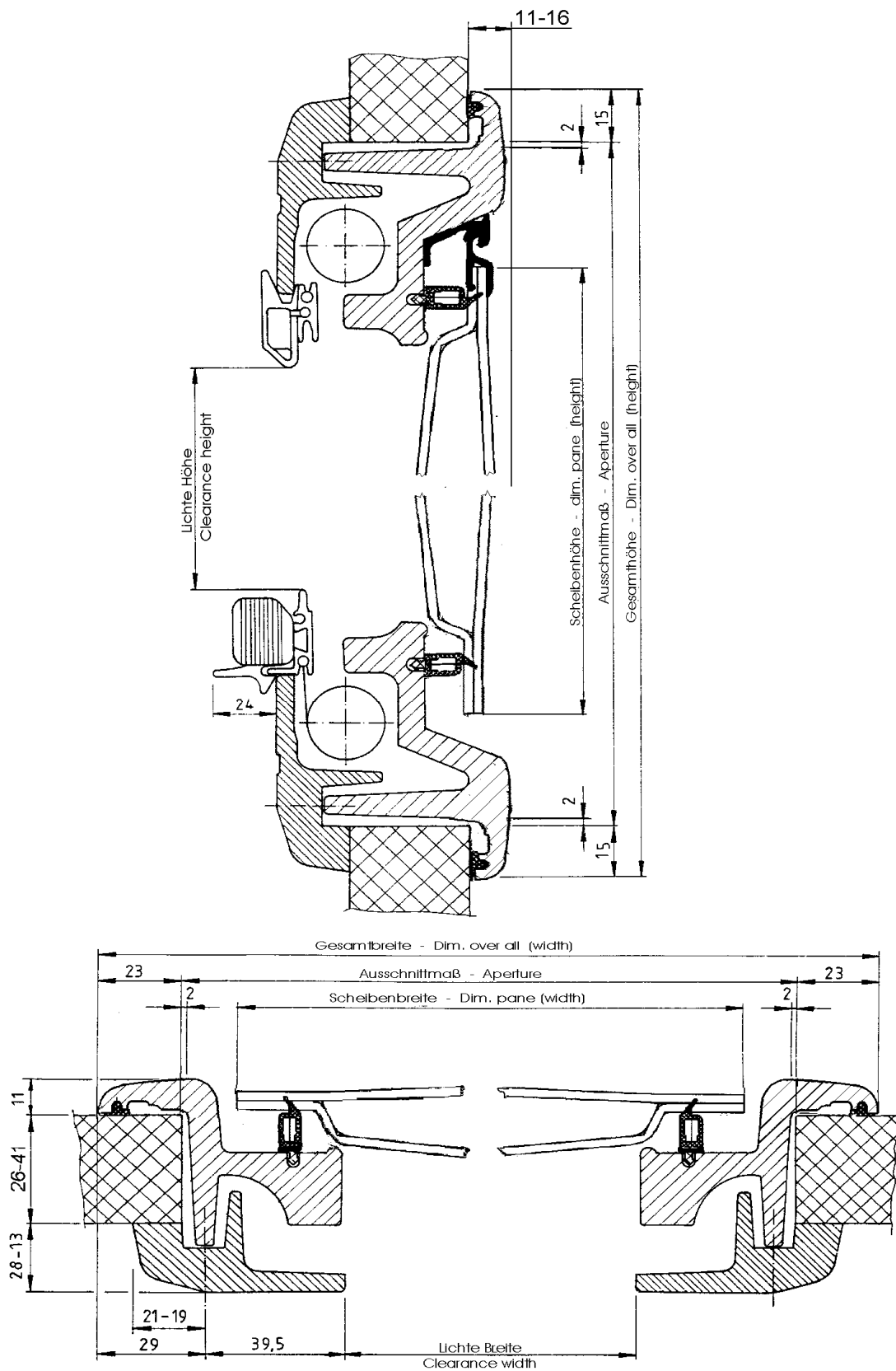
Ordering size	Version			Top hung window	Fixed window	Total dimension	Aperture size	Clearance	Dimension pane Top hung/Fixed window
	P 6	P 6.4	P 6.5	Acrylic	Acrylic	Width x Height	Width x Height	Width x Height	Width x Height
350x500	X	X	X	X	X	393x531	343x498	250x365	318x431
500x300	X	X	X	X	X	544x330	499x298	400x165	469x230
500x600	X	X	X	X	X	544x631	499x599	400x465	469x532
600x600	X	X	X	X	X	644x631	599x599	500x465	569x532
600x1000	X	X	X	X	X	644x1036	599x1002	500x865	569x933
650x600	X	X		X	X	695x632	650x599	550x465	620x532
700x300	X	X	X	X	X	745x330	700x298	600x165	670x230
700x400	X	X	X	X	X	745x431	700x398	600x265	670x330
700x500	X	X	X	X	X	745x531	700x498	600x365	670x432
800x400	X	X		X	X	846x431	800x398	700x265	772x330
900x500	X	X	X	X	X	948x531	902x499	800x365	871x431
900x600	X	X	X	X	X	948x631	902x599	800x465	871x531
1000x500	X	X	X	X	X	1048x531	1002x499	900x365	971x432
1000x600	X	X	X	X	X	1048x631	1002x599	900x465	972x532
1300x600	X	X	X	X	X	1343x631	1297x599	1200x465	1266x532
1450x550	X	X	X	X	X	1500x581	1453x549	1350x415	1422x482
1450x600	X	X	X	X	X	1500x631	1454x599	1350x465	1424x532
1600x600	X	X		X	X	1650x631	1602x599	1500x465	1568x534

* = only for manufacturers

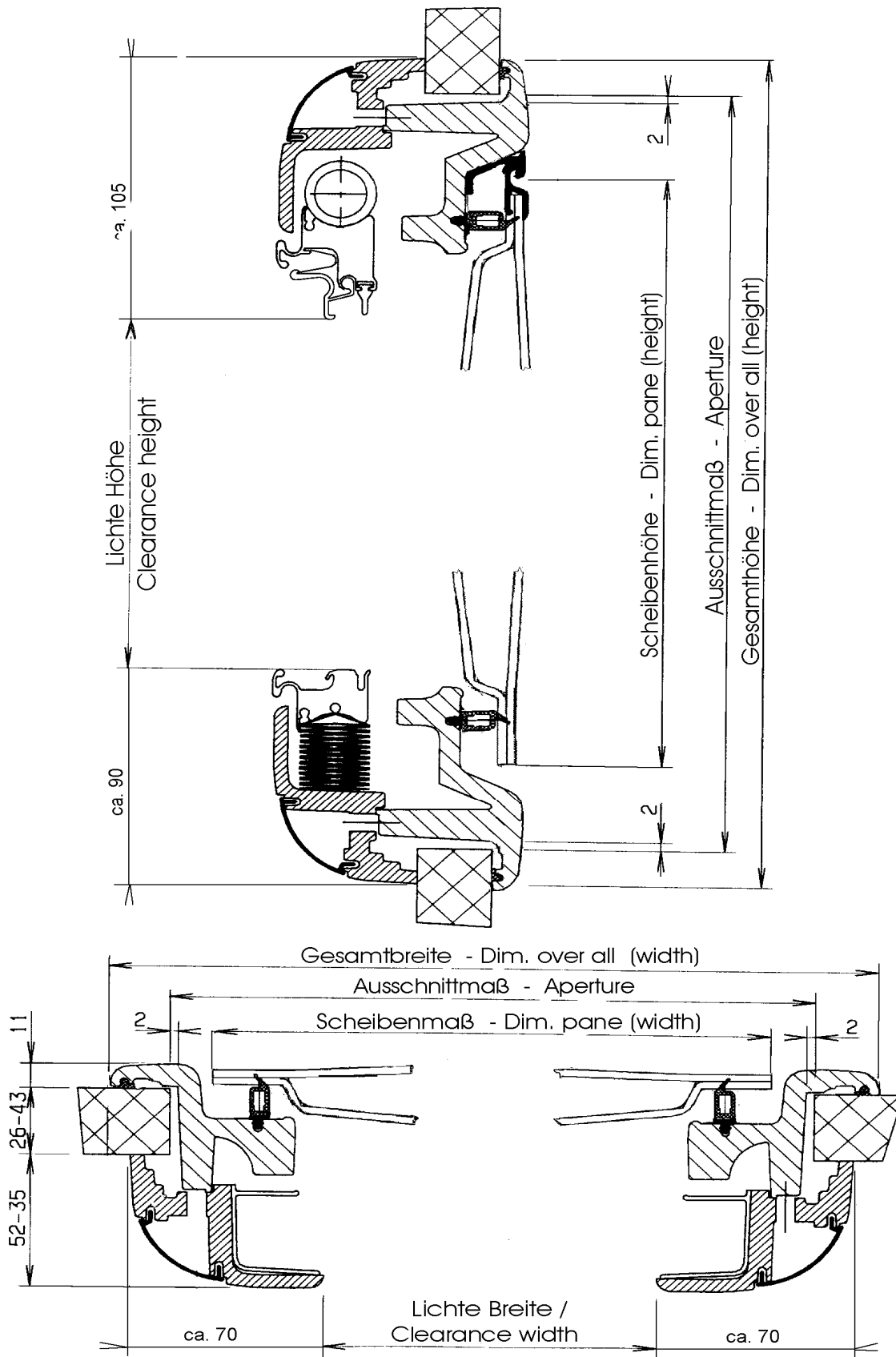
Technical Drawing S6-Window



Technical Drawing S6.4-Window



Technical Drawing S6.5-Window

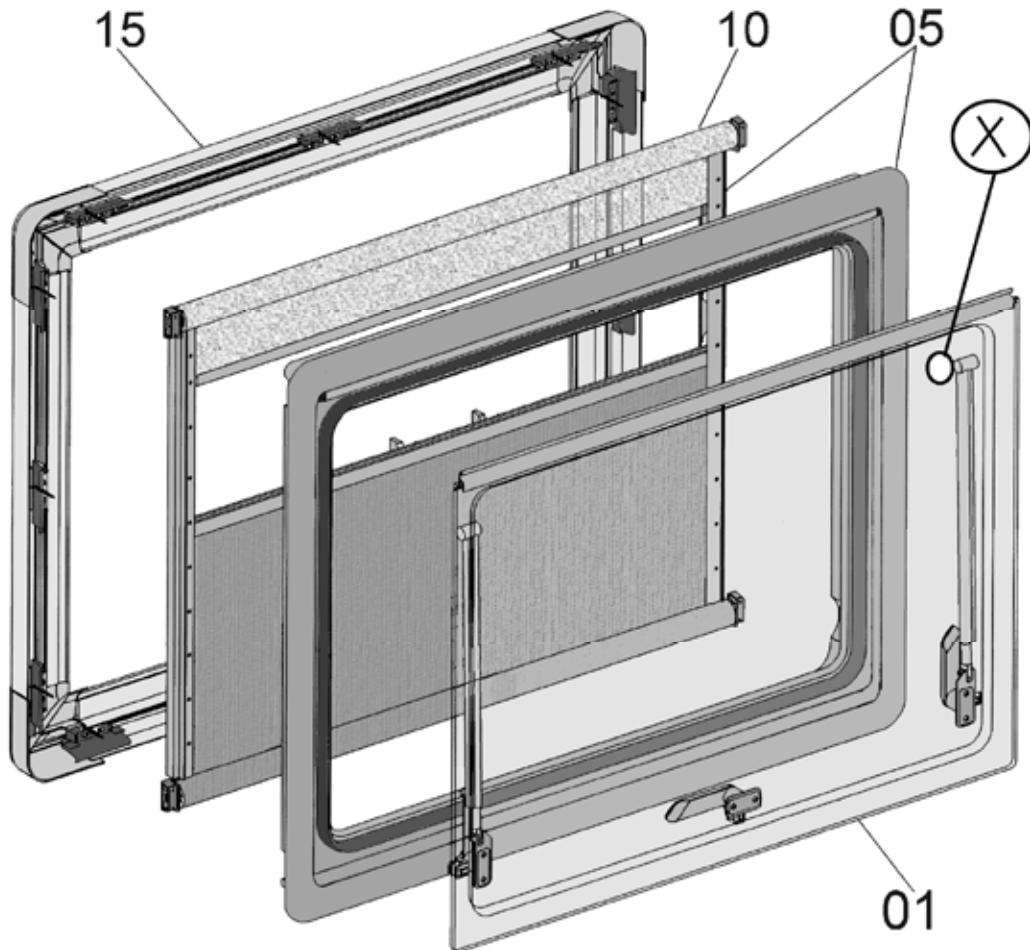


Spare Parts S6-Window

Main Parts Top Hung-/Fixed Window

	Description	Part No.	Pack. Unit
01	Acrylic panel for top hung window complete (see type at "X")	BG ...	1
01	Acrylic panel for fixed window complete (without figure, see type at "X")	BG ...	1
05	Exterior frame for top hung-/fixed window with installed hinge profile and rollo	ARE06...	1
10	Rollos incl. fixing kit	BG1059	1 set
15	Interior cover with assembly parts and fixing to exterior frame (fixing bracket)	BG1061	1 set

Important: When ordering specify - description, type of camping vehicle, colour of blind material, colour of exterior frame, colour of hinge profile, colour of interior frame, quantity, dimensions of exterior frame (width x height), wall thickness.



Spare Parts S6-Window

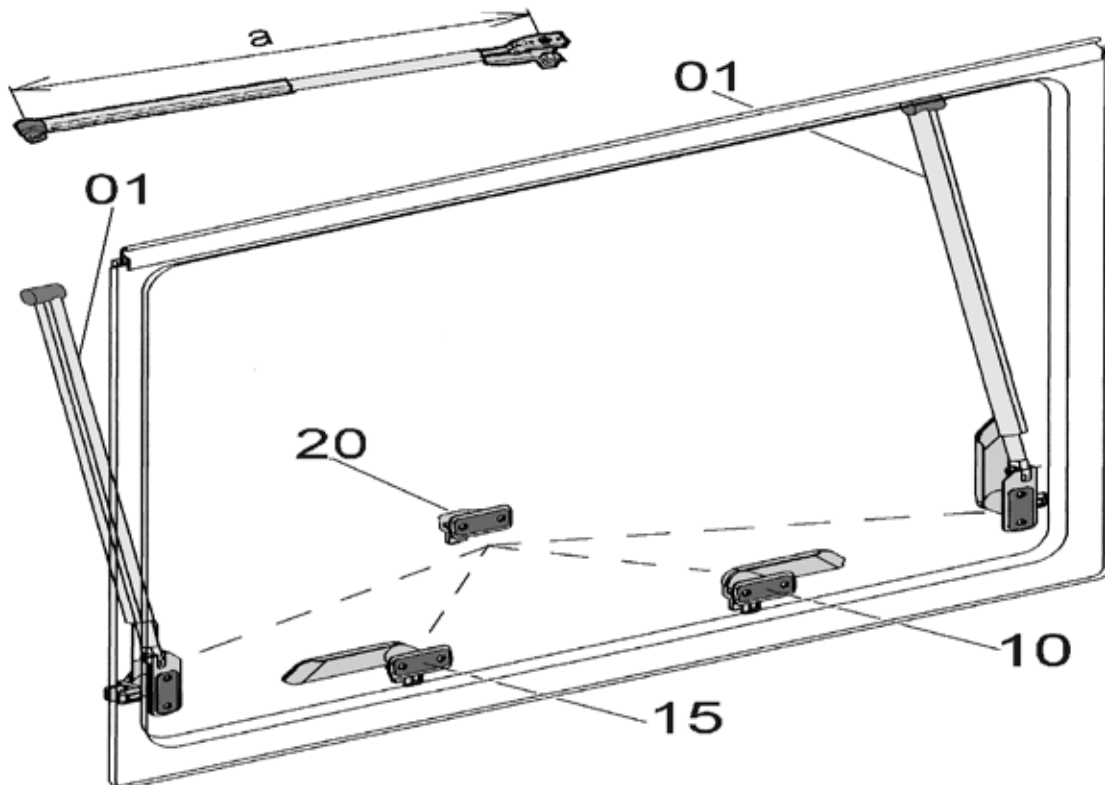
Top Hung-/Fixed Window Glazing Panels

	Description	Code	Pack. Unit
01	Click-Clack-stay with handle/98	BG1077	1 pair
10	Handle/98, right hand for top hung window (view from inside)	BG1078	1
15	Handle/98, left hand for top hung window (view from inside)	BG1078	1
20	Fixing bracket/98 for fixed window	BG1060	1 (5 pcs.)

Important: When ordering specify - sizes of exterior frame (width x height), description, quantity and type of window (S6).

Stay list	
Length	Click-Clack
	Size a*
300	150 mm
400	280 mm
450	330 mm
500	380 mm
550	435 mm
600	475 mm
700	590 mm

* a = pulled out size



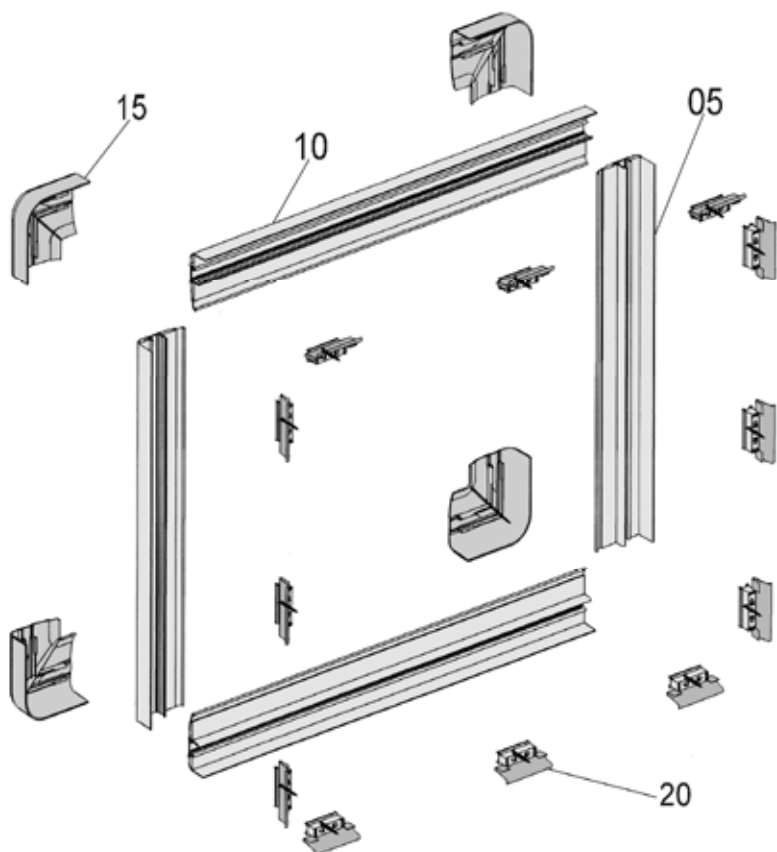
Spare Parts S6-Window

Interior Cover

Standard colour	Code
RAL 1013 pearl white	22
RAL 7035 light grey	09

	Description	Part No.	Pack. Unit
05	Plastic Cover profiles height (Version A)	BG1073	1
	Plastic Cover profiles height (Version B)	BG1746	1
10	Plastic Cover profiles width (Version A)	BG1074	1
	Plastic Cover profiles width (Version B)	BG1747	1
15	Corner piece (Version A)	BG1075	1 set
	Corner piece (Version B)	BG1748	1 set
20	Fixing bracket (Version A), Pack. Unit = 5 pcs.	BG1076	1 set
	Fixing bracket (Version B), Pack. Unit = 5 pcs.	BG1749	1 set

Important: When ordering specify - description, quantity, sizes exterior frame (width x height), colour of blind, colour of interior frame, wall thickness, type of window (S6).



Version A



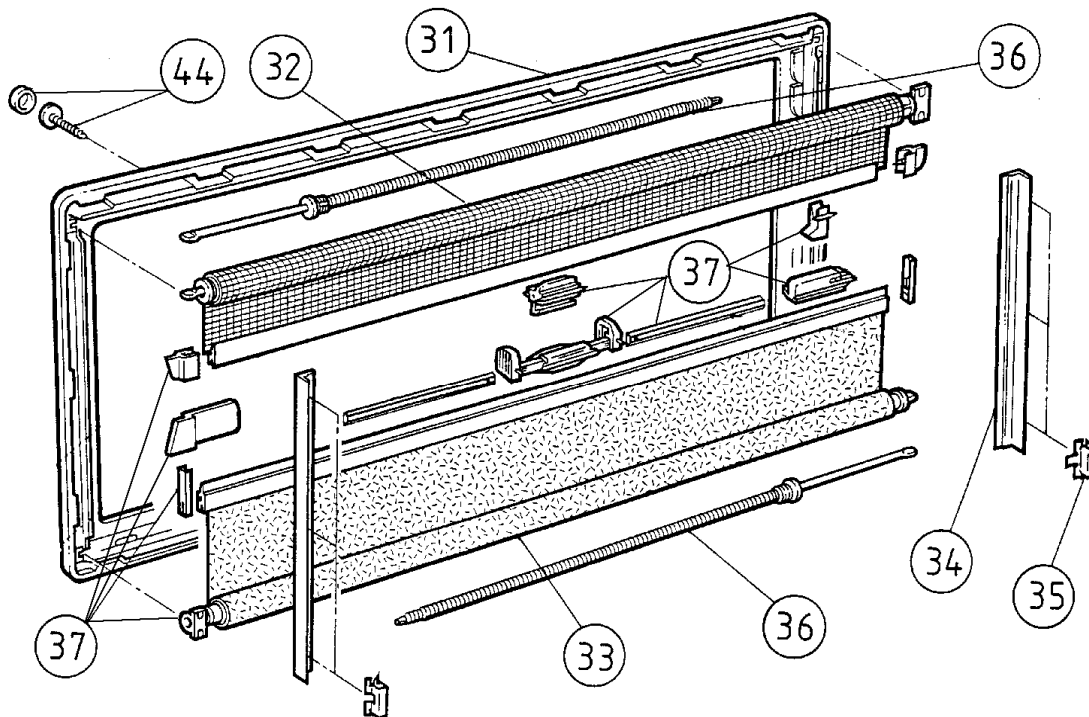
Version B

Spare Parts S6.4-Window

Interior Frame

	Description	Part No.	Pack. Unit
31	Interior frame without rollo	IRE03	1
32	Flynet complete (white)	FR32	1
33	Blind complete	VR33	1
34	Guide tracks black	PP0048...Z	1 set
35	Clamp	M0056Z	1 set
36	Spring motor	FM0012/20	1
37	S3/S4-window repair set set (blind guide plate, flynet guide plate, blind lock, fixed part of blind lock , central lock, central lock catch, lock profile, lock stopper roller blind retaining bracket)	BG1089	1 set
44	Fixing set for S3/S4-interior frame (caps/screws=12pcs.)	BG1088	1 set

Important: When ordering specify - description, quantity, sizes exterior frame (width x height), colour of blind, colour of interior frame, colour of aluminium profile, wall thickness.

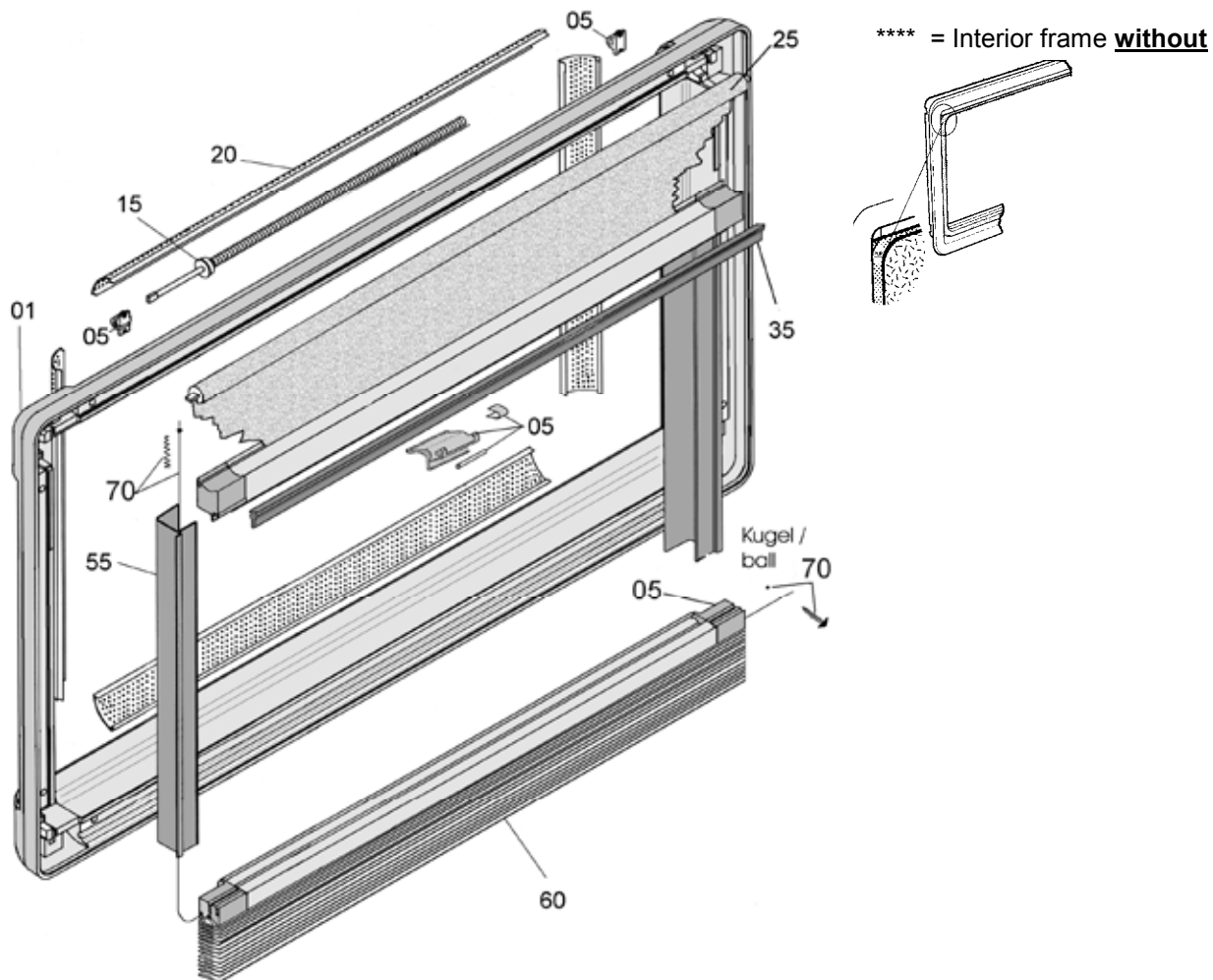


Spare Parts S6.5-Window

Interior Frame

	Description	Part No.	Pack. Unit
01	Interior frame**** without assembly parts	IRE05...	1
01	Interior frame**** complete with assembly parts	IRE05...	1
05	S5-window repair set (plastic bracket, plastic plate, plastic end cap, central lock spring, lock, lock pin)	BG1091	1
15	Spring motor	FM0080/82	1
20	Ventilation profile	BG1047...	1 set
25	Fly net complete	BG1043	1
35	Connecting aluminum profile	PP1006...	1
55	Guide tracks	BG1145	1 set
60	Blind complete	BG1046...	1
70	Repair set of cord mechanism (balls, screw, cord, set of spring)	BG1090	1 set

Important: When ordering specify - description, quantity, sizes exterior frame (width x height), colour of blind, colour of interior frame, colour of aluminium profile, wall thickness.



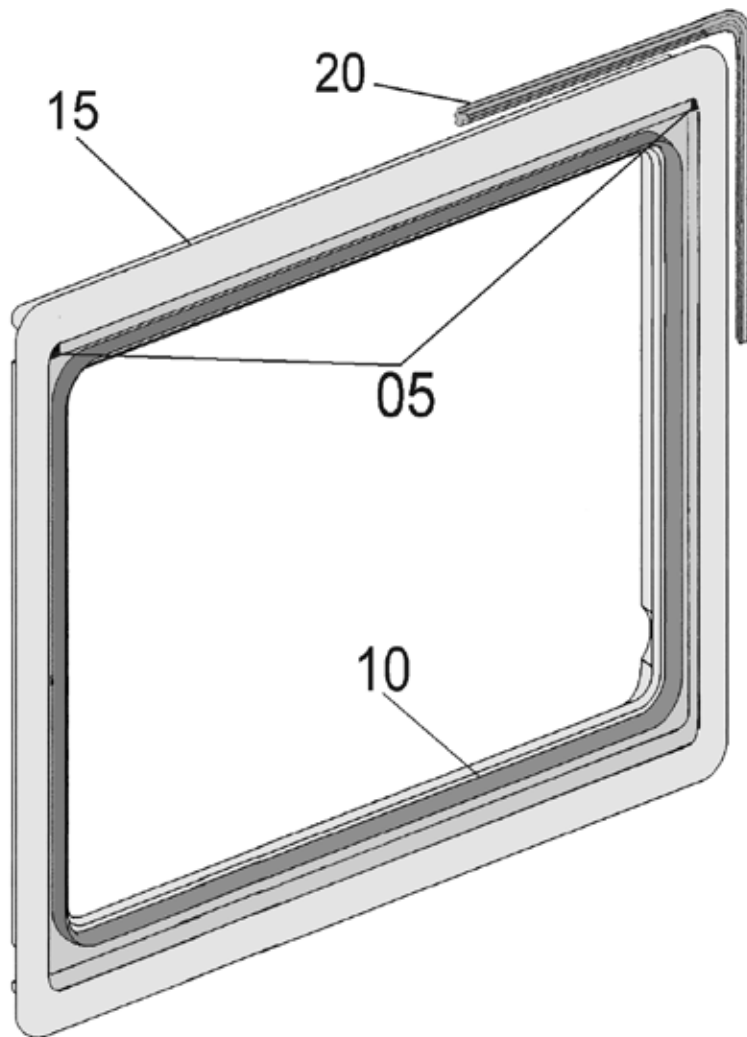
PUR-mark (visible at exterior frame, see figure A) for the following sizes only in connection with exterior frame: 1450x600, 1300x600, 1300x500, 1100x550, 900x550, 750x400

Spare Parts S6 / S6.4 / S6.5 / P6-Window *

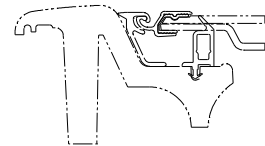
Top Hung-/Fixed Window Exterior Frames

	Description	Part No.	Pack. Unit
05	Endkappe (1 pair)	BG0070Z	1
10	Seal Exterior frame/Glazing Panel for S6 / S6.4 / S6.5 , Length = 5m	BG1080	1
	Seal Exterior frame/Glazing Panel for P6 , Length = 5 m	BG1080	1
	Seal Exterior frame/Glazing Panel for K6 , Length = 6 m	540E06	1
15	Exterior frame without rollo	ARE06...	1
20	Seal wall / exterior frame, Length = 5 m	BG1079	1

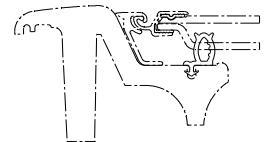
Bei Ersatzteilbestellungen sind folgende Angaben zu machen: **Benennung, Anzahl, Farbe.**



S6 / P6 – Window:
 Pos. 10 - Seal



K6 – Window:
 Pos. 10 - Seal



* = only for manufacturers

Spare Parts S6-Windows

Rollo

	Description	Part No.	Pack. Unit
05	Flynet complete (white)	FR1320	1
10	Blind with single hand mechanism	VR1320	1
15	Spring motor	FM0080/81/82	1
20	Guide tracks incl. fixing screws	BG1071	1 set
25	Plastic bracket incl. fixing screw	BG1072	1 set

When ordering specify: description, quantity, colour of blind material, colour of interior frame, dimensions of exterior frame (width x height), wall thickness, type of window (S6).

