

*26

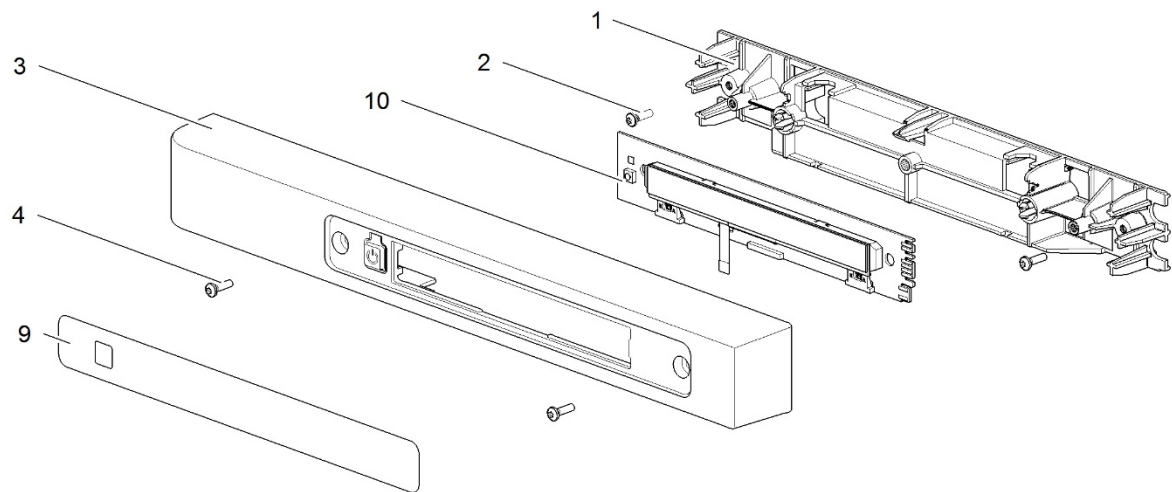
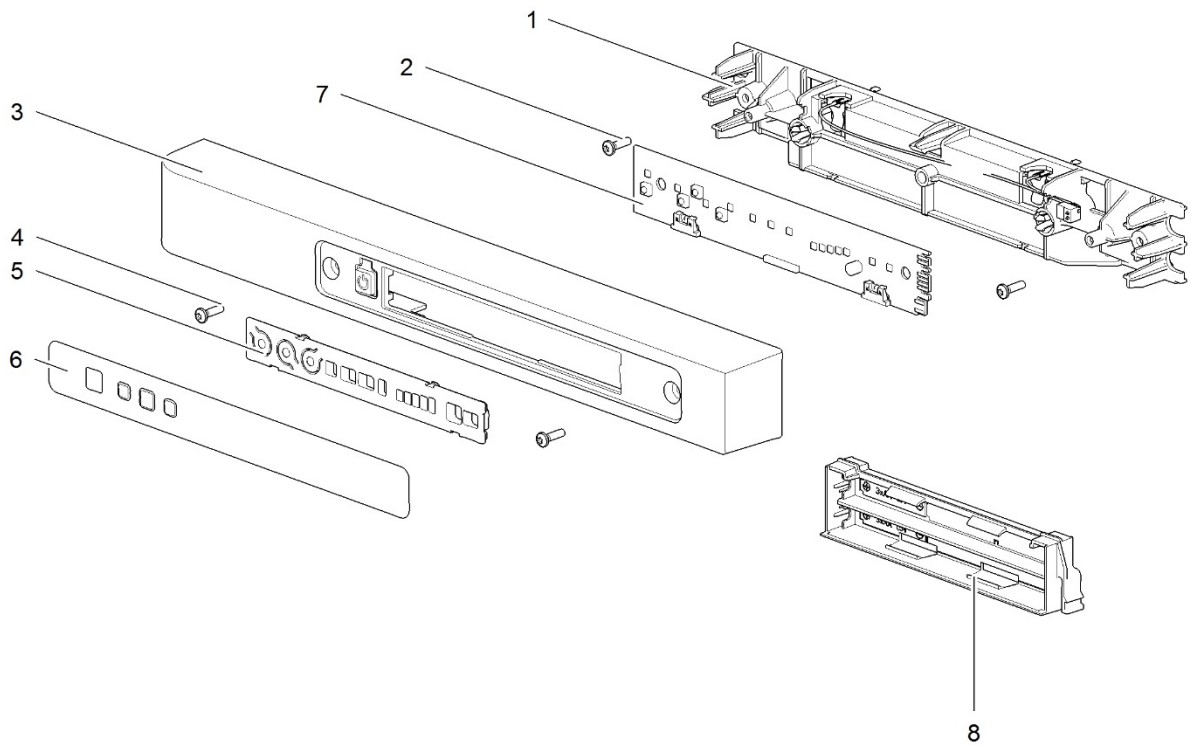
LE1063-N3170-front_0518-V04

Model No	Typ	CE
Serie No	CHASSIS CLASS	EN 15131
Grosses Volumen Schallis Volumen Volumen Bräut Netto Volumen 198 L		
Freier Volumen Gefrierfach Vol Volumen Gefrierfach Volumen Gefrierfach Netto Volumen 102 L		
CE 0043 BX2297 Part No: 034007		
ABSORBER N45 = 154,9 g N42008 = 10,1 g p max = 21 bar		
CFCX-HCFC, FREE / PKM, PKOW FREE		

820019
9020_SchW/10sp_EUR

		Spare part number	Spare part number	Spare part number	Colours available
1	Storage strap (2x)	626986	691468		27
2	Latch				
3	Strike plate				
4	Pocket cover				
5	Hinge center				
6	Hinge plate				
7	Cap (2x)	623622			08
8	Cap freezer bolt (12x)	624479			08
9	Ice cube tray				
10	Control panel	<i>Refer to page 32</i>			
11	Shelf rack 415 x 200	692511			144
12	Shelf rack 415 x 250	692512			144
13	Clip shelf rack small	692513			08
14	Clip rack safety lock	692515			08
15	Food retainer	692516			08
16	Slide out box guide	692518			144
17	Slide out box	692517			144
18	Shelf rack 415 x 250	692512			144
19	Vegetable bin reversible	692524			144
20	Hinge plate				
21	Door bin flat	692519			144
22	Bottle retainer	692521			08
23	Fin				
24	Fin clip	623059			
25	Thermistor	623077			
26	Identification label				

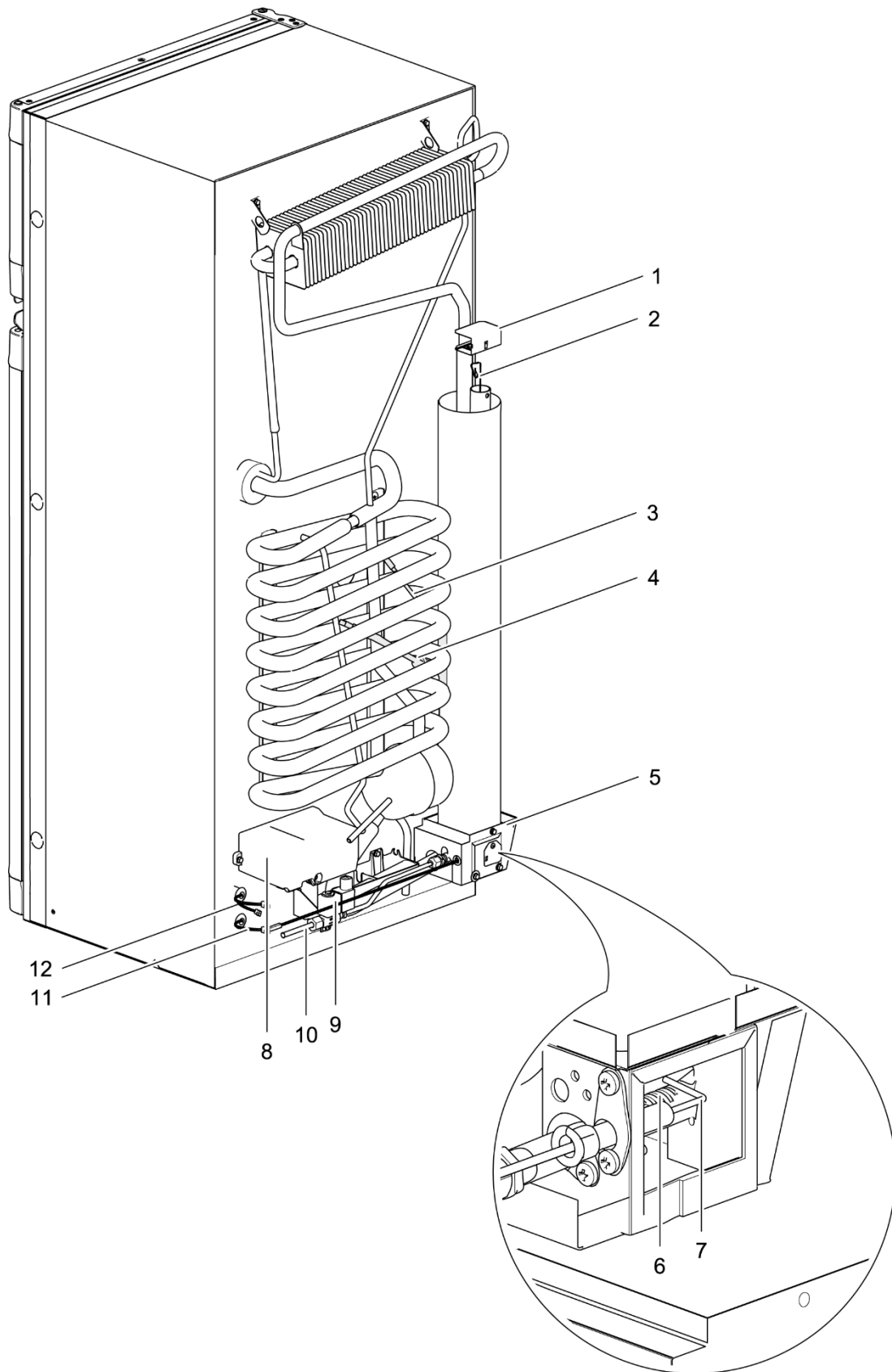
* With a request for information or service, always provide the serial number of the refrigerator. The serial number is the code below the barcode on the identification label.



LE1004_Control Panel+flat525_1214-V04

		Spare part number	Spare part number	Spare part number	Colours available
1	Technical panel flat	690806			
2	Screws				
3	Housing flat				
	Right hinged flat door 10 mm	691463			27
	Left hinged flat door 10 mm	691464			27
4	Screws				
5	Overlay LED+		692242		
6	Sticker LED+	692240		692243	
7	PCB LED+ DM				
	PCB LED+ DM FOR BATTERY PACK			692244 ¹	
8	Battery hatch				
	Battery pack	690225			27
9	Sticker LCD	692241			
			692245		
10	PCB LCD DM				

¹ including spare part 'Sticker LED+' (#6)



N4145-N4150-N4170-N4175-back

		Spare part number	Spare part number	Colours available
1	Heat cap	690839		
2	Heat diffuser	690879		
3	Heater AC	691193		
4	Heater DC	691125		
5	Heater box			
6	Burner assembly	623058		
7	Spark electrode	690840		
8	Power control board	692247		
9	Gas valve	690810		
10	Gas pipe			
11	Thermistor cable			
	Loose connector temperature <i>power board side</i>	690855	690853	
12	Communication cable			
	Loose connectors communication and CI-bus	690856	690854	