

\*25

<b>TRISTAR</b> Model No. <input type="text"/> Type <b>C 11</b> Serie No. <input type="text"/> Climate Class <b>S1</b>		
205 V/50 Hz 100% 100 W 10 VDC 140 W 205 V/50 Hz 100% 100 W 10 VDC 140 W 130112		
Brutto Volumen Brutto Volumen Volumen Best. Brutto Volumen	100 L 100 L 100 L 100 L	
Frigorif. Volumen Kühlbereich Vol. Volumen Kühlb. Volumen		100 L 100 L 100 L 100 L
Net V. Netto Volumen Netto		100 L 100 L 100 L 100 L
CE 0002 000007 Part No. 031907		
ABSORBER NH3 = 154,8 g NAZERGA = 10,1 g p.max = 21 bar		
CPCh HCFC, FREE / FRW, FCWV FREE		

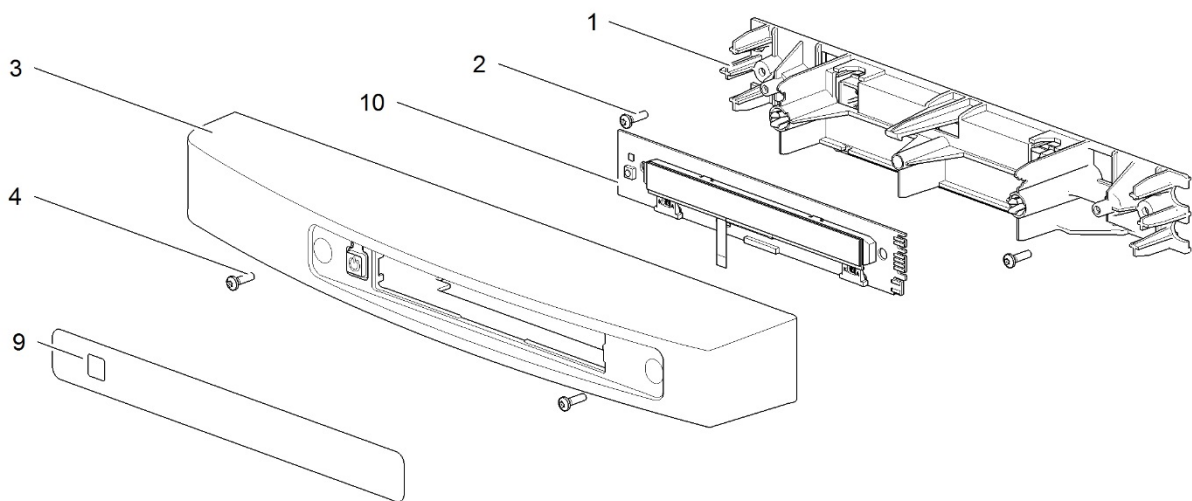
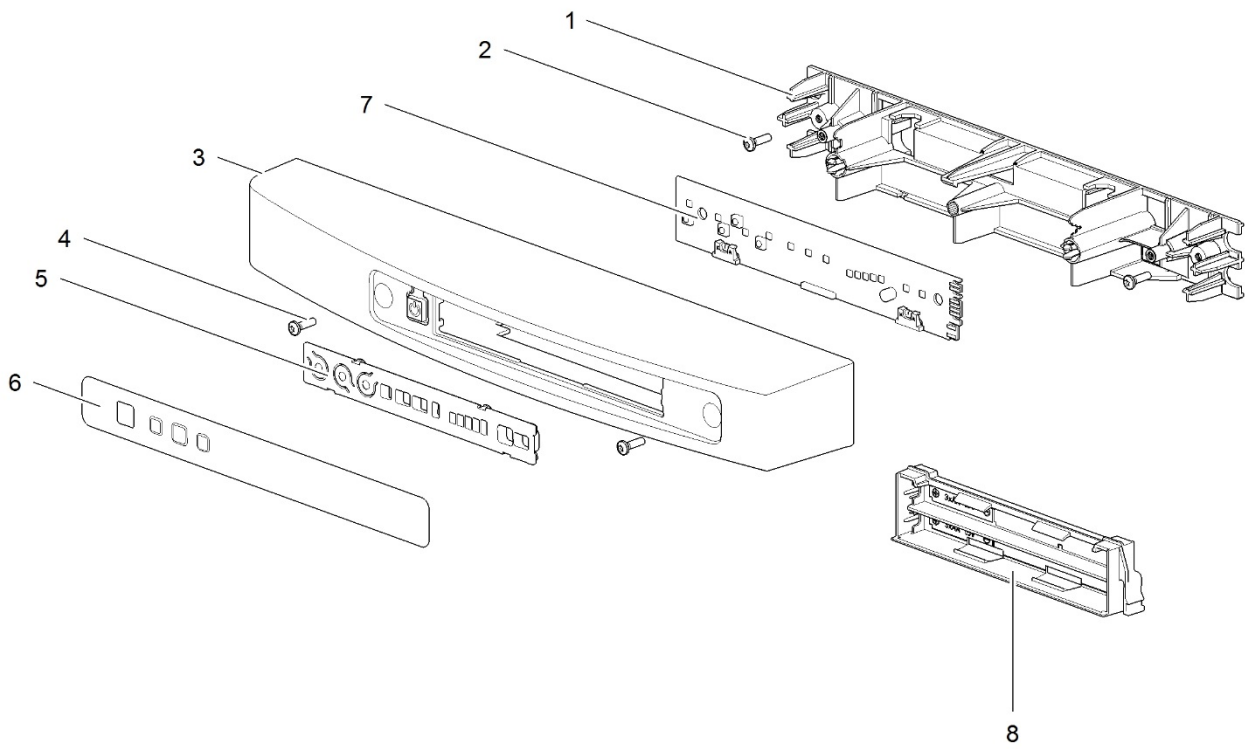
**SPECIMEN**

Barcode: E013N1000011

N3150-front\_0718-V04

		Spare part number	Spare part number	Spare part number	Colours available
1	Storage strap (2x)	626986	691739		27
2	Latch				
3	Strike plate				
4	Pocket cover				
5	Hinge center				
6	Hinge plate				08
7	Cap (2x)	623622			08
8	Cap freezer bolt (12x)	624479			08
9	Ice cube tray				
10	Control panel	<i>Refer to page 32</i>			
11	Shelf rack 415 x 150	692510			144
12	Shelf rack 415 x 200	692511			144
13	Clip shelf rack small	692513			08
14	Clip rack safety lock	692515			08
15	Food retainer	692516			08
16	Shelf rack 415 x 200	692511			144
17	Vegetable bin right	692523			144
18	Vegetable bin left	692522			144
19	Hinge Plate				
20	Door bin curved	692520			144
21	Bottle retainer	692521			08
22	Fin				
23	Fin clip (3x)	623059			
24	Thermistor	623077			
25*	Identification label				

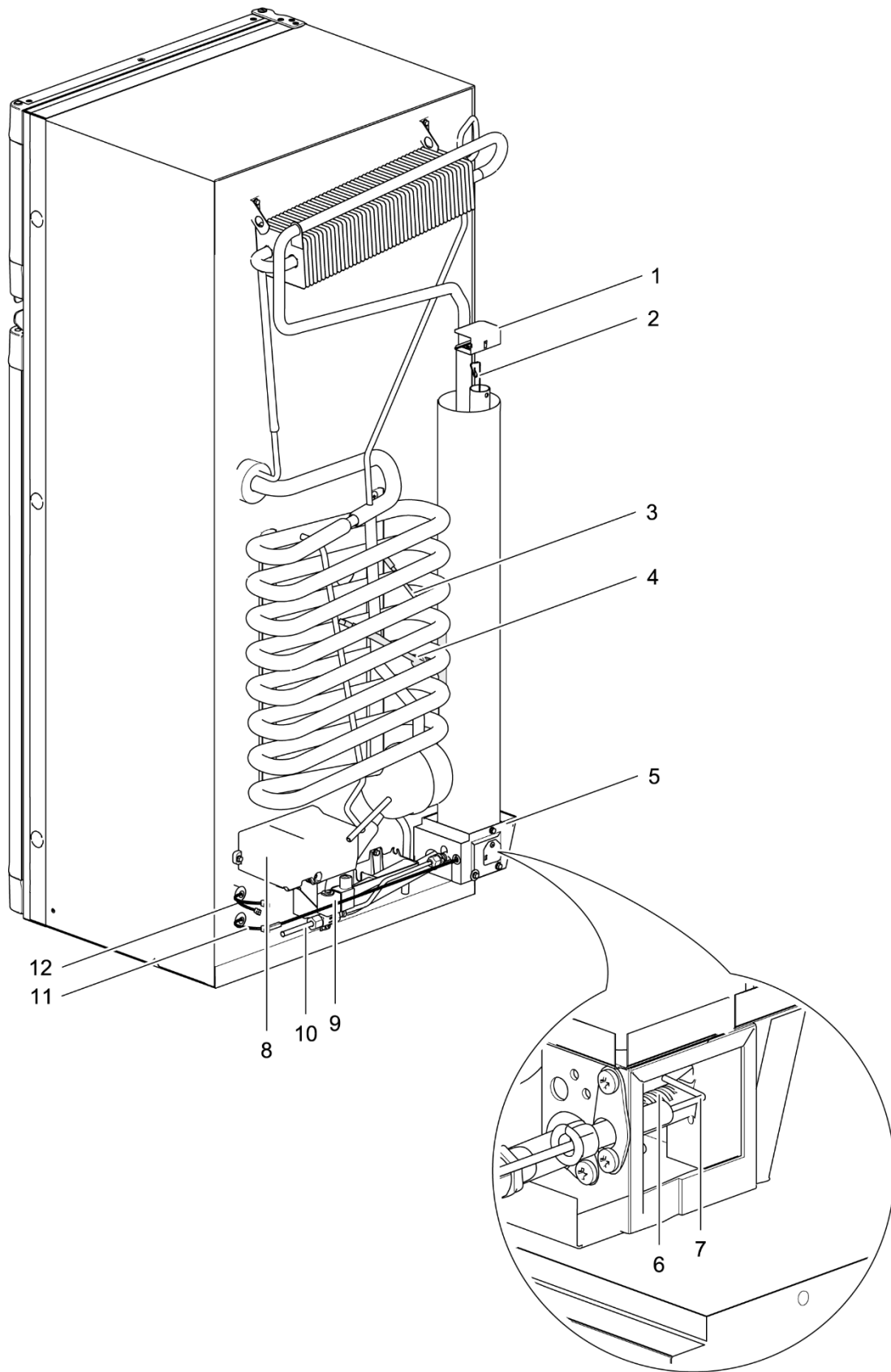
\* With a request for information or service, always provide the serial number of the refrigerator. The serial number is the code below the barcode on the identification label.



LE1005\_Control Panel-curved525

		Spare part number	Spare part number	Spare part number	Colours available
1	Technical panel curved	690825			
2	Screws				
3	Housing curved				
	Right hinged	690826			27
	Left hinged	690827			27
4	Screws				
5	Overlay LED+		692242		
6	Sticker LED+	692240		692243	
7	PCB LED+ DM				
	PCB LED+ DM FOR BATTERY PACK			692244 <sup>1</sup>	
8	Battery hatch				
	Battery pack	690225			27
9	Sticker LCD	692241			
10	PCB LCD DM		692245		

<sup>1</sup> including spare part 'Sticker LED+' (#6)



N4145-N4150-N4170-N4175-back

		Spare part number	Spare part number	Colours available
1	Heat cap	690839		
2	Heat diffuser	690879		
3	Heater AC	691193		
4	Heater DC	691125		
5	Heater box			
6	Burner assembly	623058		
7	Spark electrode	690840		
8	Power control board	692247		
9	Gas valve	690810		
10	Gas pipe			
11	Thermistor cable			
	Loose connector temperature <i>power board side</i>	690855	690853	
12	Communication cable			
	Loose connectors communication and CI-bus	690856	690854	