

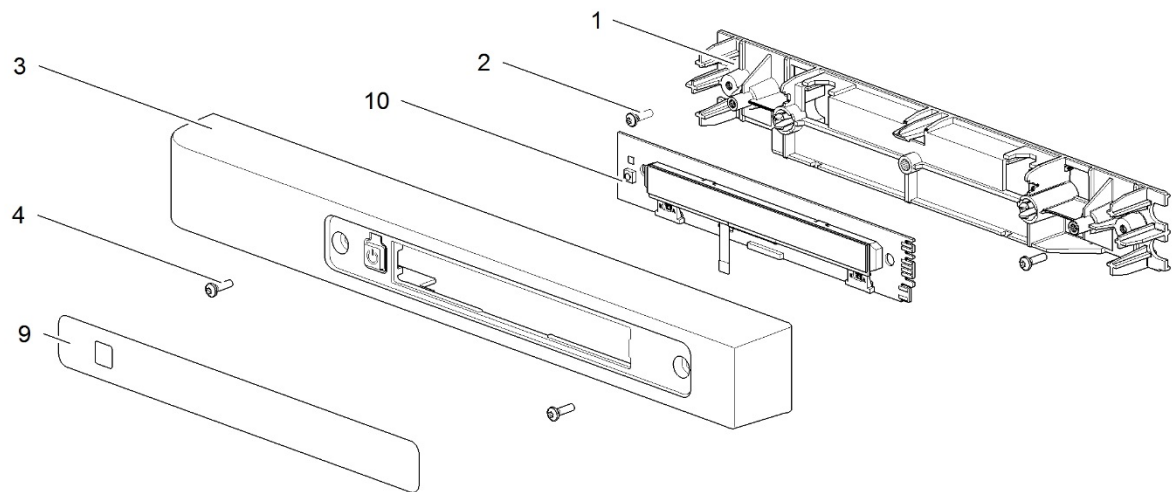
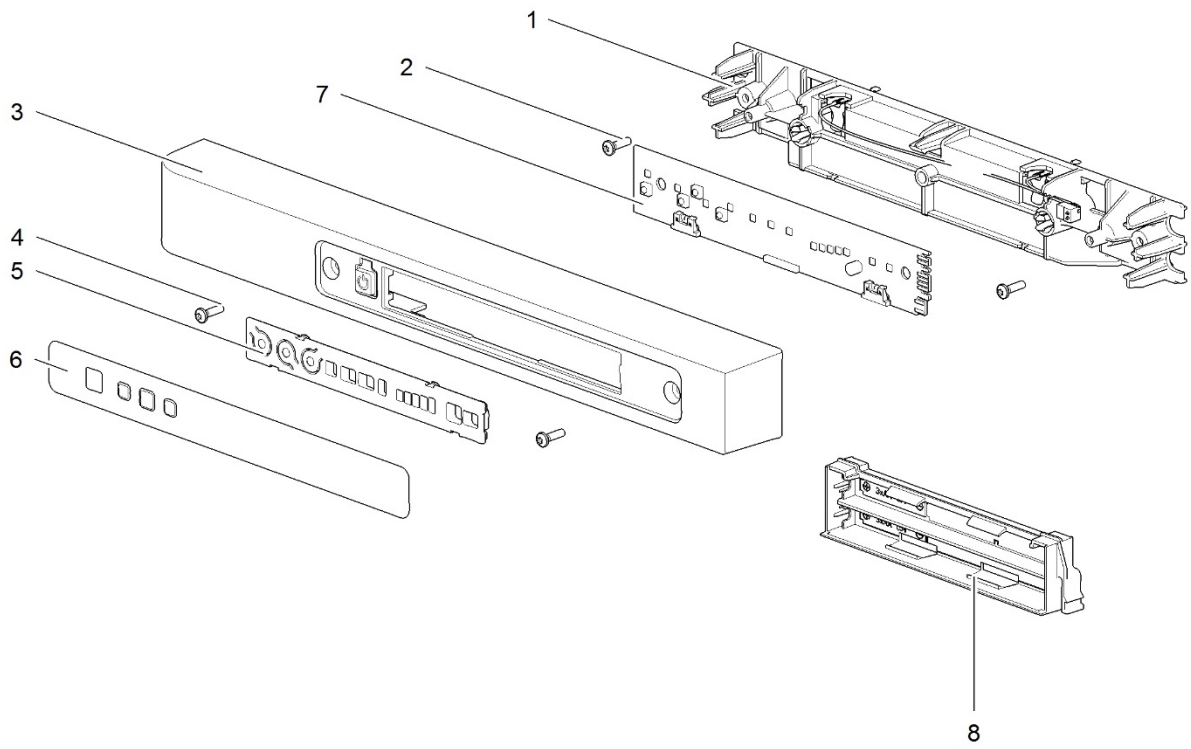
\*25

Model No	Typ	CE	CE
Serie No	CHARM CLASS	EN	EN
<b>SPECIMEN</b>			
Große Volumen	100 L		
Stattio Volumen			
Volumo Bruf			
Stattio Volumen			
Freier Volumen			
Gefrierfach Vol	100 L		
Volumo Gefrierfach			
Volumo Gefrierfach			
Neto Volumen			
Neto Volumen			
Neto Volumen			
CE 0043 BK2297	Part No	E34807	
ABSORBER	N45 = 154,9 g	N42R08 = 10,1 g	p max = 21 bar
CFCK HCFC, FREE / FKW, FCKW FREE			920019 9020_SchWF10gr_EUR

N3145-front\_0718-V04

		Spare part number	Spare part number	Spare part number	Colours available
1	Storage strap (2x)	626986	691468		27
2	Latch				
3	Strike plate				
4	Pocket cover				
5	Hinge center				
6	Hinge plate				08
7	Cap (2x)	623622			08
8	Cap freezer bolt (12x)	624479			08
9	Ice cube tray				
10	Control panel	<i>Refer to page 32</i>			
11	Shelf rack 415 x 150	692510			144
12	Shelf rack 415 x 200	692511			144
13	Clip shelf rack small	692513			08
14	Clip rack safety lock	692515			08
15	Food retainer	692516			08
16	Shelf rack 415 x 200	692511			144
17	Vegetable bin right	692523			144
18	Vegetable bin left	692522			144
19	Hinge Plate				
20	Door bin flat	692519			144
21	Bottle retainer	692521			08
22	Fin				
23	Fin clip (3x)	623059			
24	Thermistor	623077			
25*	Identification label				

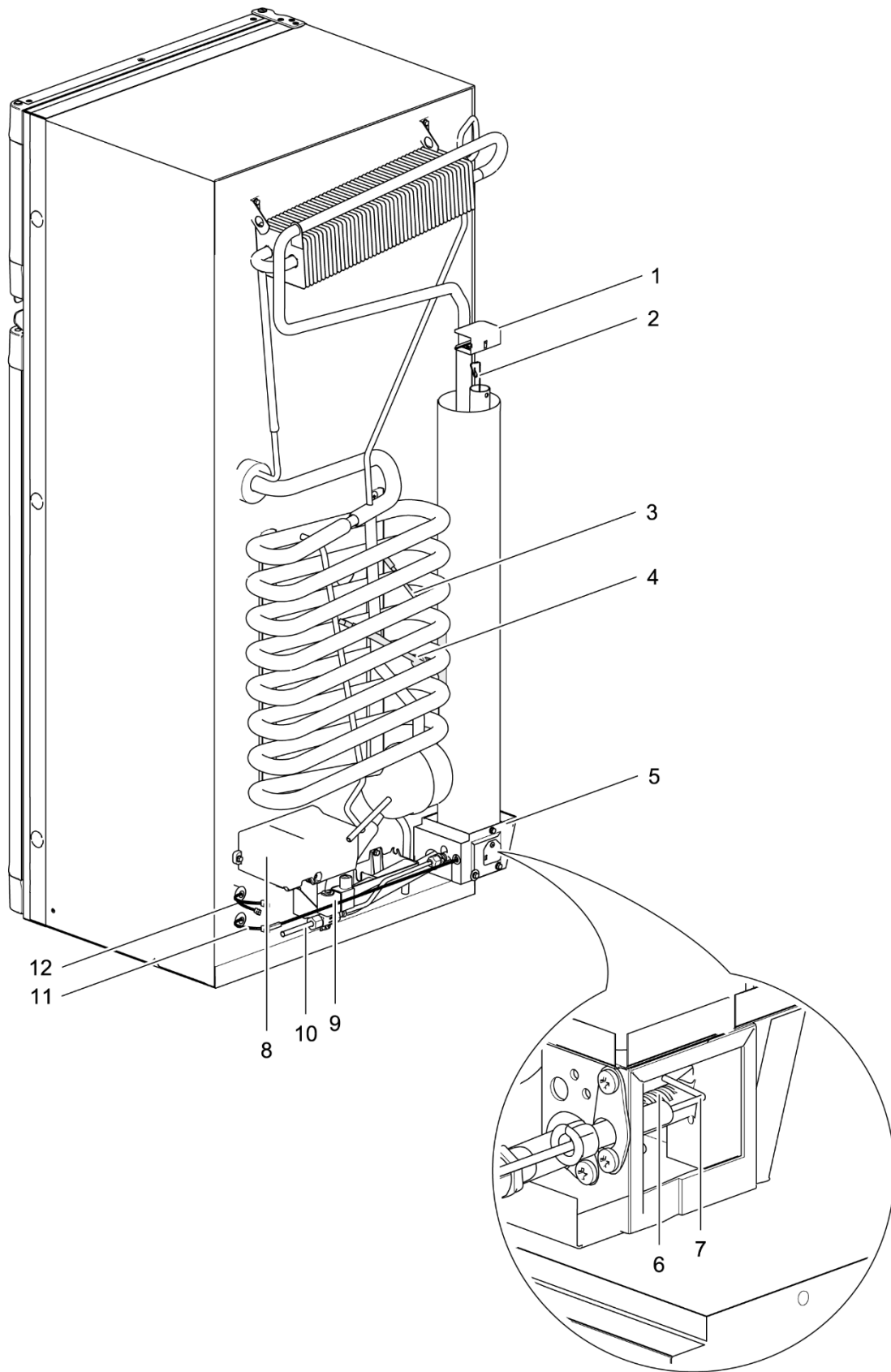
\* With a request for information or service, always provide the serial number of the refrigerator. The serial number is the code below the barcode on the identification label.



LE1004\_Control Panel+flat525\_1214-V04

		Spare part number	Spare part number	Spare part number	Colours available
1	Technical panel flat	690806			
2	Screws				
3	Housing flat				
	Right hinged flat door 10 mm	691463			27
	Left hinged flat door 10 mm	691464			27
4	Screws				
5	Overlay LED+		692242		
6	Sticker LED+	692240		692243	
7	PCB LED+ DM				
	PCB LED+ DM FOR BATTERY PACK			692244 <sup>1</sup>	
8	Battery hatch				
	Battery pack	690225			27
9	Sticker LCD	692241			
			692245		
10	PCB LCD DM				

<sup>1</sup> including spare part 'Sticker LED+' (#6)



N4145-N4150-N4170-N4175-back

		Spare part number	Spare part number	Colours available
1	Heat cap	690839		
2	Heat diffuser	690879		
3	Heater AC	691193		
4	Heater DC	691125		
5	Heater box			
6	Burner assembly	623058		
7	Spark electrode	690840		
8	Power control board	692247		
9	Gas valve	690810		
10	Gas pipe			
11	Thermistor cable			
	Loose connector temperature <i>power board side</i>	690855	690853	
12	Communication cable			
	Loose connectors communication and CI-bus	690856	690854	