

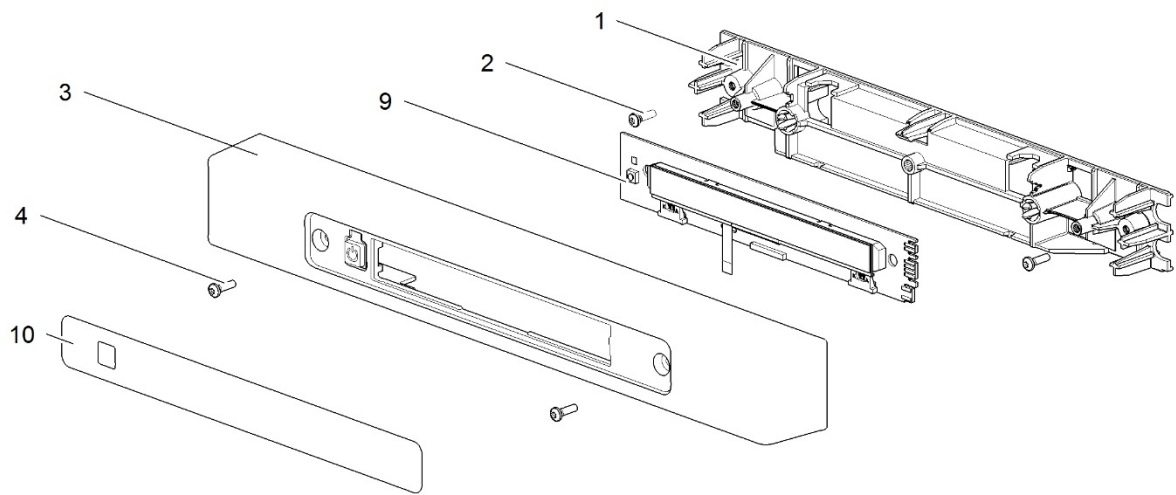
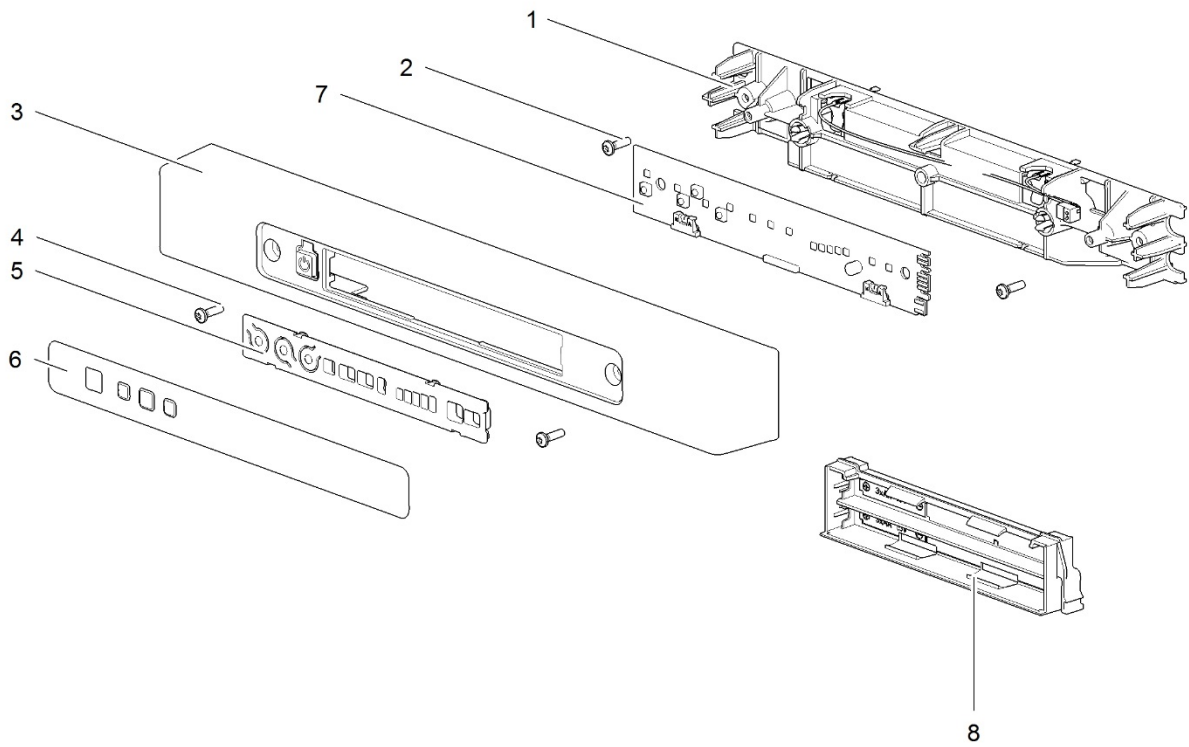
30*

TRIPLEX		Type 011		CE	
Model No		0319		CLass 2	
Serie No		E013N1000611		130112	
230 V/50 Hz/1050W/105A/50° - 13 VDC / 140 W		130112		130112	
Crème Volume Dolce Volume Volume Brat Bistrot Volume		100 L			
Froster Volume Cristallo Volume Volume Complet Volume Biscuits		100 L			
Froster Volume Cristallo Volume Volume Complet Volume Biscuits		100 L			
Absorber NH3 - 154,9 g		NA2CR04 + 10,1 g		p.max = 21 bar	
CFX HCFC FREE / FRW, FCKW FREE		S20019		9020_SerieFridge_EUR	

LE1110_N3142-front

		Spare part number	Spare part number	Colours available
1	Hinge plate left	691456		27
2	Hinge plate right			
3	Hinge pin (including spring)			
4	Hinge plate bottom right			
5	Hinge plate bottom left			
6	Hinge pin bottom			
7	Control panel	<i>Refer to page 38</i>		
8	Cap freezer bolt (12x)	624479		08
9	Ice cube tray			
10	Freezer door		691112	08
	Hinge freezer door (2x)	624680		
11	Fin		691113	
12	Door lock plate			
13	Door handle			
14	Shelf food retainer	691114		08
15	Shelf 340 x 182	691115		08
16	Clip shelf small	623626		08
17	Clip shelf large	623625		08
18	Shelf 340 x 241	691116		08
19	Drip tray	691885		08
20	Cap (2x)	623622		08
21	Fin clip	623059		
22	Thermistor	623077		
23	Guiding cover	691118		08
24	Slide-out box	692253		144
25	Drawer divider	691120		08
26	Drawer guides	691122		
27	Drawer bin	691457		08
28	Cabinet door	690517		27R
29	Door bin	692254		144
30	Identification label*			

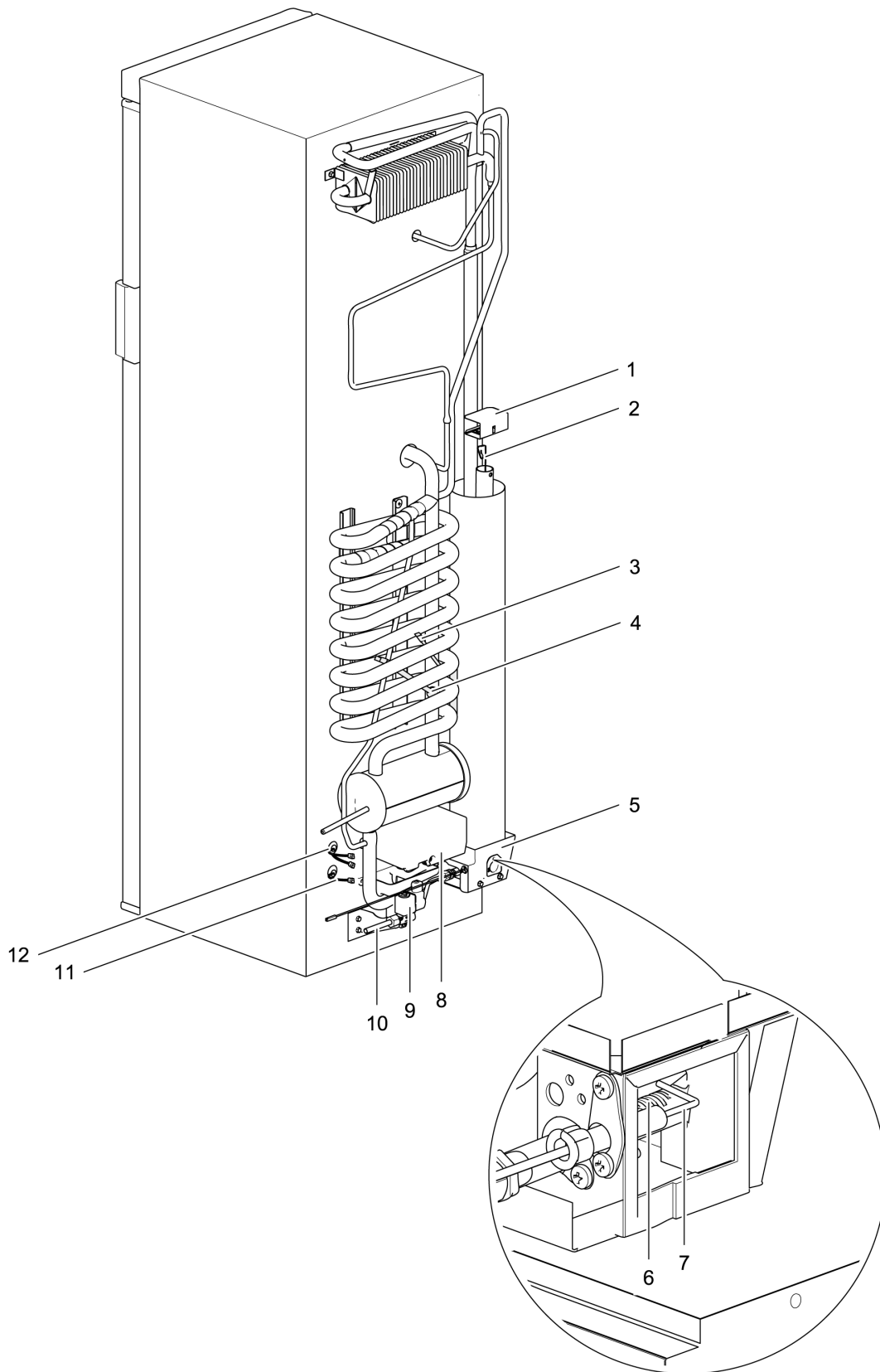
* With a request for information or service, always provide the serial number of the refrigerator. The serial number is the code below the barcode on the identification label.



LE1113_Control Panel+flat418_1214-V02

		Spare part number	Spare part number	Spare part number	Colours available
1	Technical panel flat	691102			
2	Screws				
3	Housing flat		691104		27
4	Screws				
5	Overlay LED+		692242		
6	Sticker LED+	692240		692243	
7	PCB LED+ DM				
	PCB LED+ DM FOR BATTERY PACK			692244 ¹	
8	Battery hatch				
	Battery pack	690225			27
9	PCB LCD DM				
10	Sticker LCD	692241	692245		

¹ including spare part 'Sticker LED+' (#6)



N4141-N4142-back

		Spare part number	Spare part number	Colours available
1	Heat cap	690839		
2	Heat diffuser			
3	Heater AC	691193		
4	Heater DC	691125		
5	Heater box			
6	Burner assembly	623058		
7	Spark electrode	690840		
8	Power control board	692247		
9	Gas valve	690810		
10	Gas pipe			
11	Thermistor cable			
	Loose connector temperature <i>power board side</i>	690855	690853	
12	Communication cable			
	Loose connectors communication and CI-bus	coming soon	coming soon	