

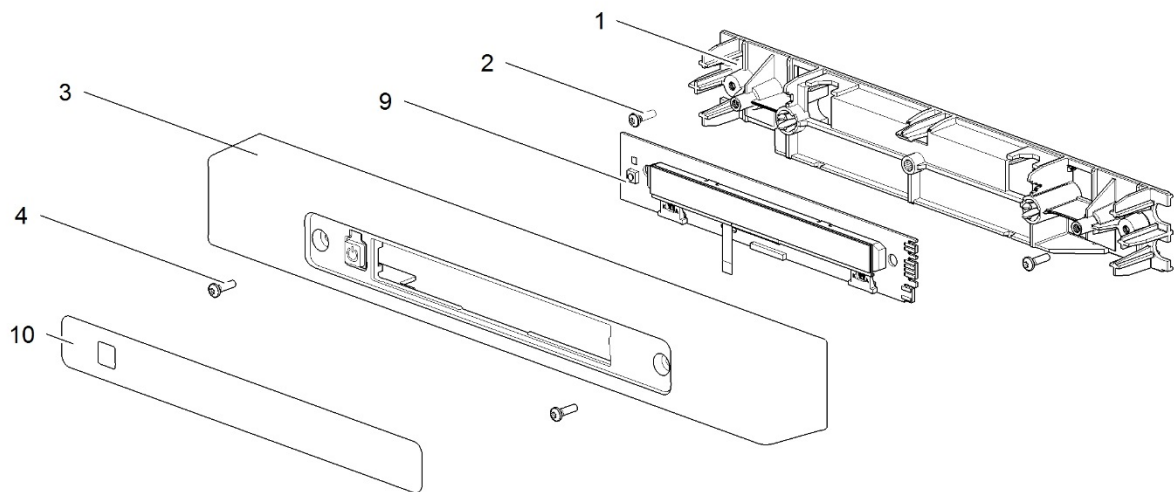
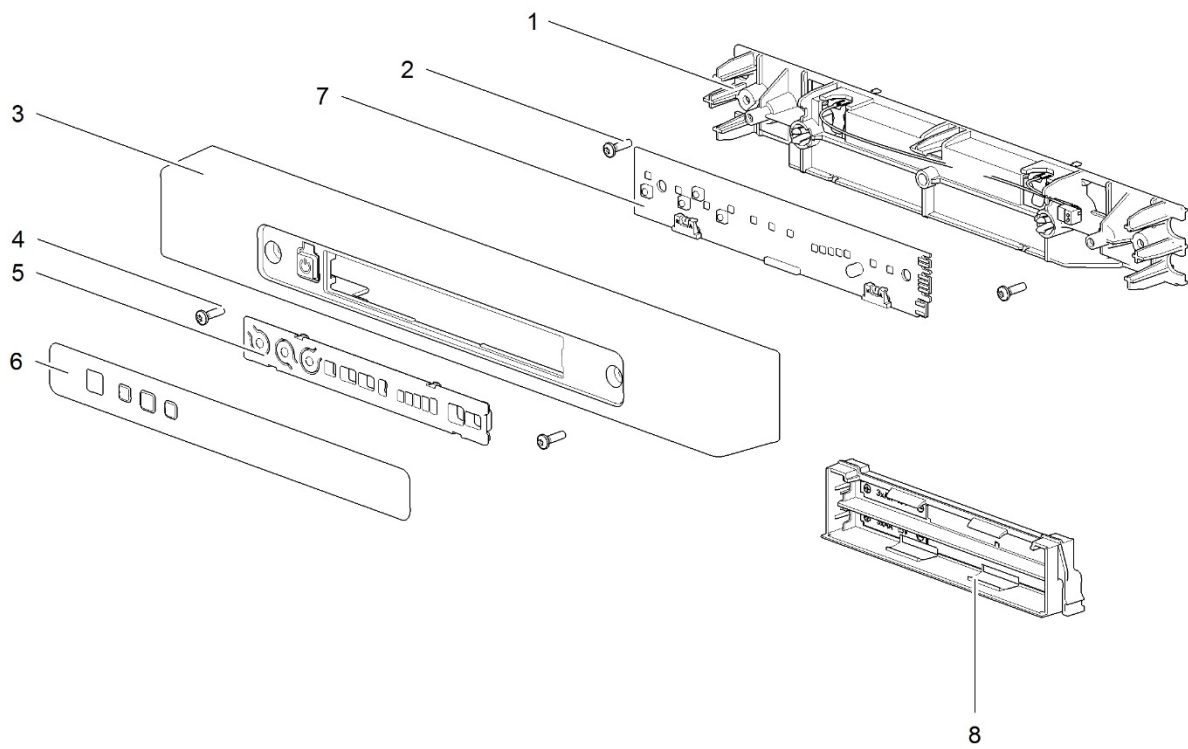
34*

Model No	Type	CE
Serie No	Climate Class	EN
230 V AC, 50/60 Hz, 1.255 W - 12 VDC, J, 540 W		
Gross Volume		
Brutto Volume	100 L	
Kühlraum Brutto		
Brutto Volume		
Frostfrei Volume	G30G31-08-5037 mixer	
Gefrierfach Brutto	10BP G30G31-30 mixer	
Volume Comp		
Volume		
Nett		
Nett		
Volume	102	
Nett Volume		
Nett Volume		
CE 0003 000207	Part No	034027
ABSORBER NH3 = 154.0 g	NA3CR04 = 10.1 g	p max = 21 bar
CFC4 HCFC, FREE / FROW, FC0W FRES		020915
		0020, Serie/Fridge, EUR

LE1111_N3141-front

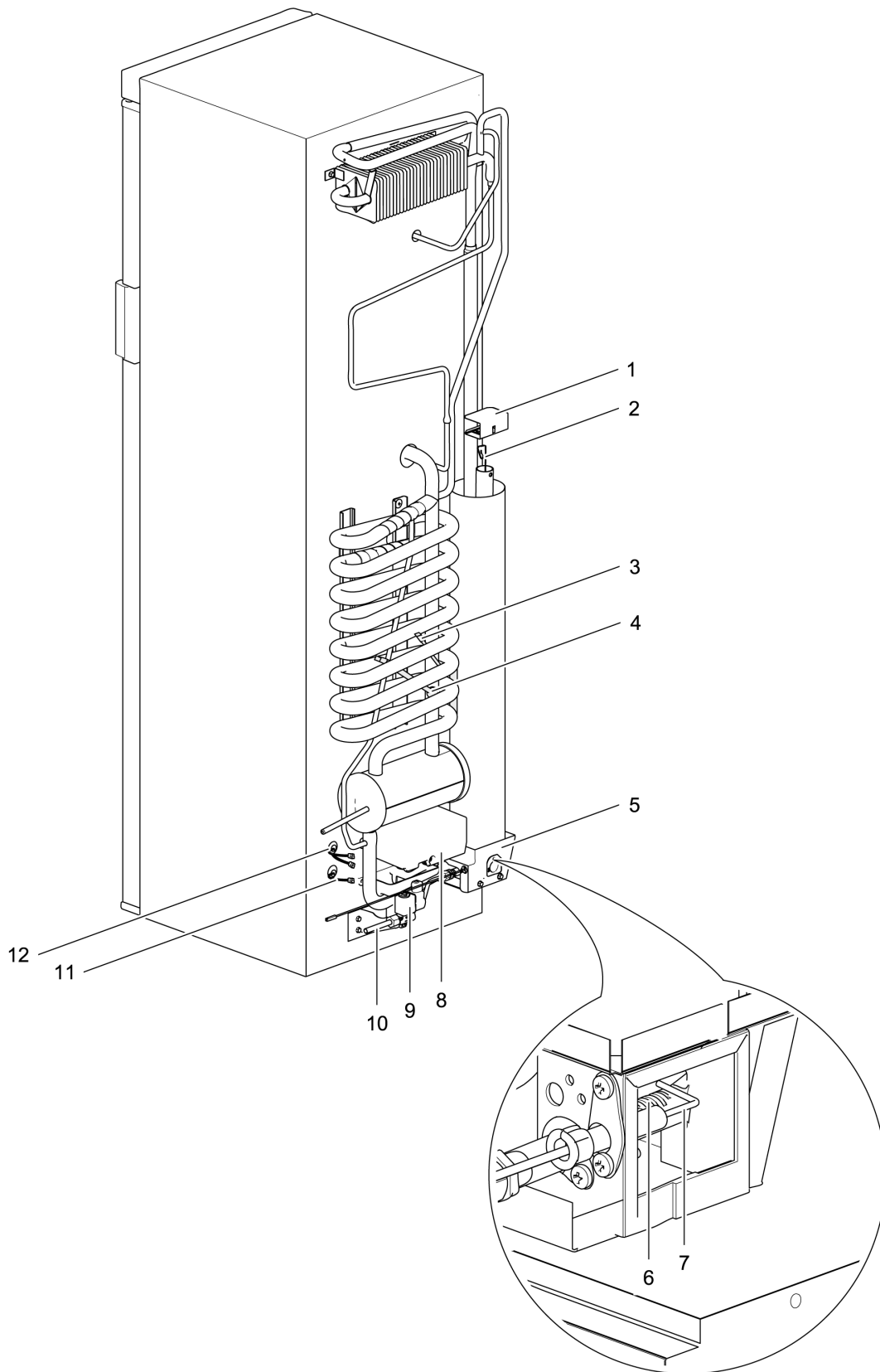
		Spare part number	Spare part number	Colours available
1	Hinge plate top left	691456		27
2	Hinge plate top right			
3	Hinge pin (including spring)			
4	Hinge plate bottom right			
5	Hinge plate bottom left			
6	Hinge pin bottom			
7	Control panel	<i>Refer to page 38</i>		
8	Cap freezer bolt (12x)	624479		08
9	Ice cube tray			
10	Freezer door		691112	08
	Hinge freezer door (2x)	624680		
11	Fin			
12	Door lock plate		691113	
13	Door handle			
14	Shelf food retainer	691114		08
15	Shelf 340 x 182	691115		08
16	Clip shelf small	623626		08
17	Clip shelf large	623625		08
18	Shelf 340 x 241	691116		08
19	Drip tray	691885		08
20	Cap (2x)	623622		08
21	Fin clip	623059		
22	Thermistor	623077		
23	Guiding cover	691118		08
24	Slide-out box	692253		144
25	Shelf 340 x 268	691117		08
26	Divider bar	Not available		
27	Drawer handle	691287		27
28	Drawer divider	691120		08
29	Drawer guides	691123		
30	Drawer bin	691288		08
31	Drawer door	690521		27R
32	Cabinet door	690519		27R
33	Door bin	692254		144
34	Identification label*			

* With a request for information or service, always provide the serial number of the refrigerator. The serial number is the code below the barcode on the identification label.



		Spare part number	Spare part number	Spare part number	Colours available
1	Technical panel flat	691102			
2	Screws				
3	Housing flat		691104		27
4	Screws				
5	Overlay LED+		692242		
6	Sticker LED+	692240		692243	
7	PCB LED+ DM				
	PCB LED+ DM FOR BATTERY PACK			692244 ¹	
8	Battery hatch				
	Battery pack	690225			27
9	PCB LCD DM				
10	Sticker LCD	692241	692245		

¹ including spare part 'Sticker LED+' (#6)



N4141-N4142-back

		Spare part number	Spare part number	Colours available
1	Heat cap	690839		
2	Heat diffuser			
3	Heater AC	691193		
4	Heater DC	691125		
5	Heater box			
6	Burner assembly	623058		
7	Spark electrode	690840		
8	Power control board	692247		
9	Gas valve	690810		
10	Gas pipe			
11	Thermistor cable			
	Loose connector temperature <i>power board side</i>	690855	690853	
12	Communication cable			
	Loose connectors communication and CI-bus	coming soon	coming soon	