

17*

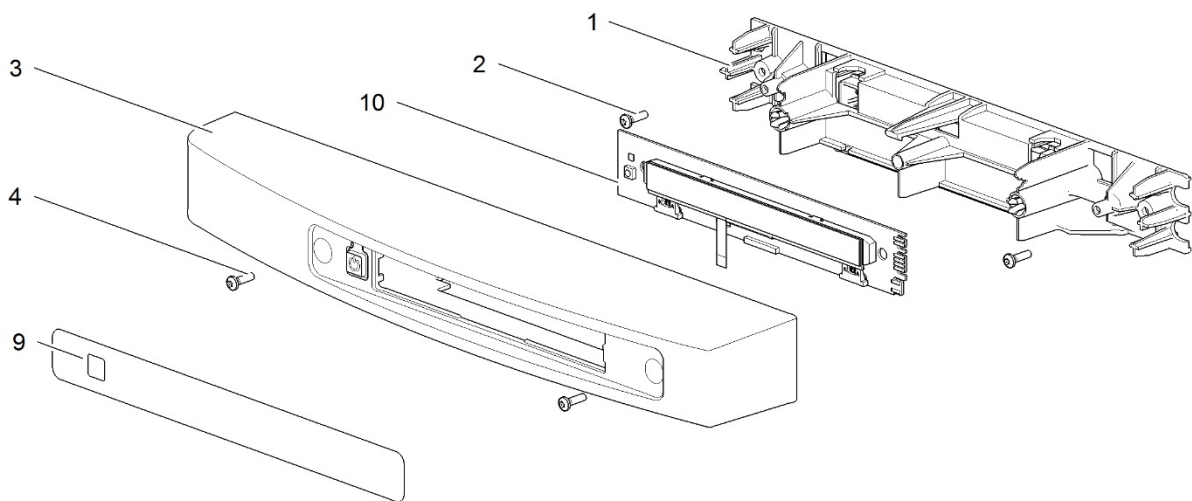
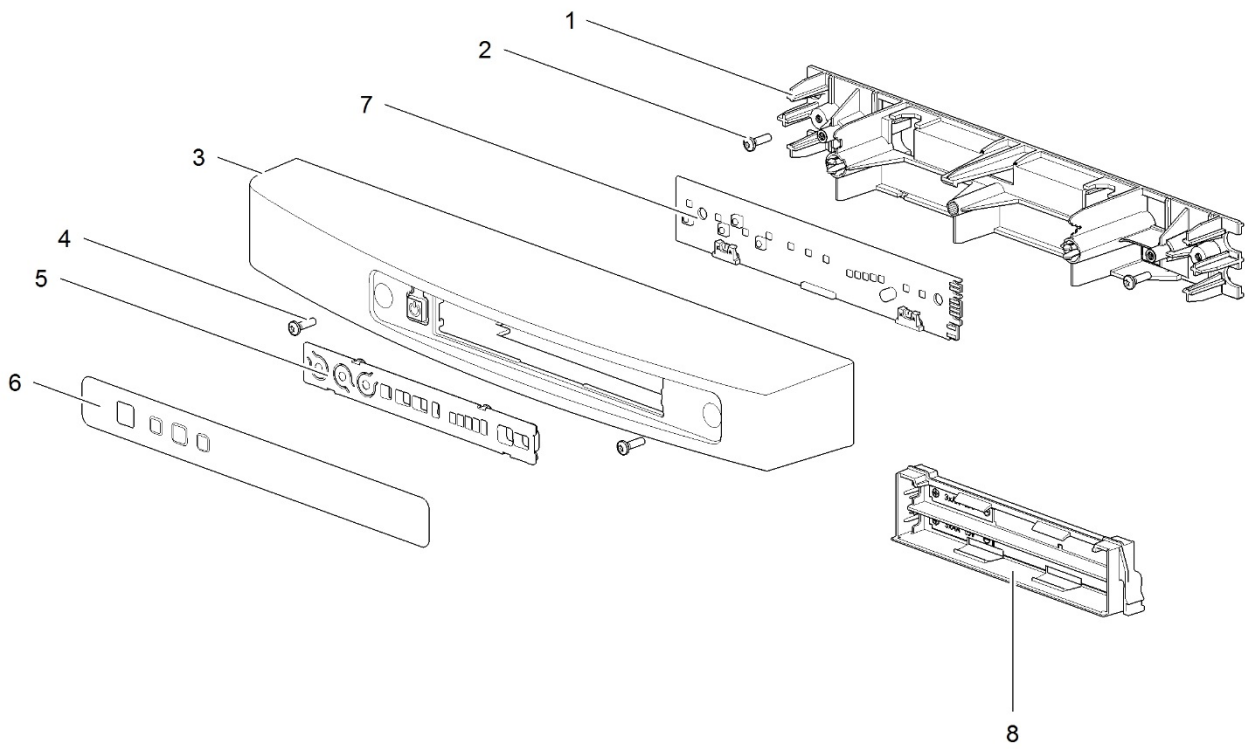
SPECIMEN

Model No	Type	CE
Serie No	Climate Class	EN
730 VAC/7.5kW/2000W/12.1kWh/1.5kW		
Größe Volumen	108 L	
Großes Volumen	108 L	
Volumen Brutt		
Netto Volumen		
Frostfrei Volumen		
Gefrierfach Volumen		
Volumen Gefrierfach		
Netto Volumen		
E13N100011		
E13N100011		
E13N100011		
E13N100011		
E13N100011		
E13N100011		
E13N100011		
E13N100011		
E13N100011		
E13N100011		

LE992_N3112:front_1015-V04

	Spare part number	Spare part number	Spare part number	Colours available
1	Latch			
2	Storage strap (2x)	626986	691739	27
3	Strike plate			
4	Pocket cover			
5	Freezer door		690852	08
	Hinge freezer door (2x)	624680		
6	Hinge plate			
7	Cap (2x)	623622		08
8	Control panel LED	<i>Refer to page 34</i>		
9	Mounting box			
10	Ice cube tray			
11	Cap freezer bolt (12x)	624479		08
12	Fin			
13	Fin clip	623059		
14	Thermistor	623077		
15	Shelf 454 x 205	690831		08
16	Clip shelf large	623625		08
17	Identification label *			
18	Clip shelf large	623625		08
19	Vegetable bin	690834		08
20	Latch bottom	624001		27
21	Hinge plate			
22	Door bin curved wide	690824		08
23	Bottle retainer	626989		12
24	Door bin curved shallow	690823		08
25	Shelf food retainer	691188		08

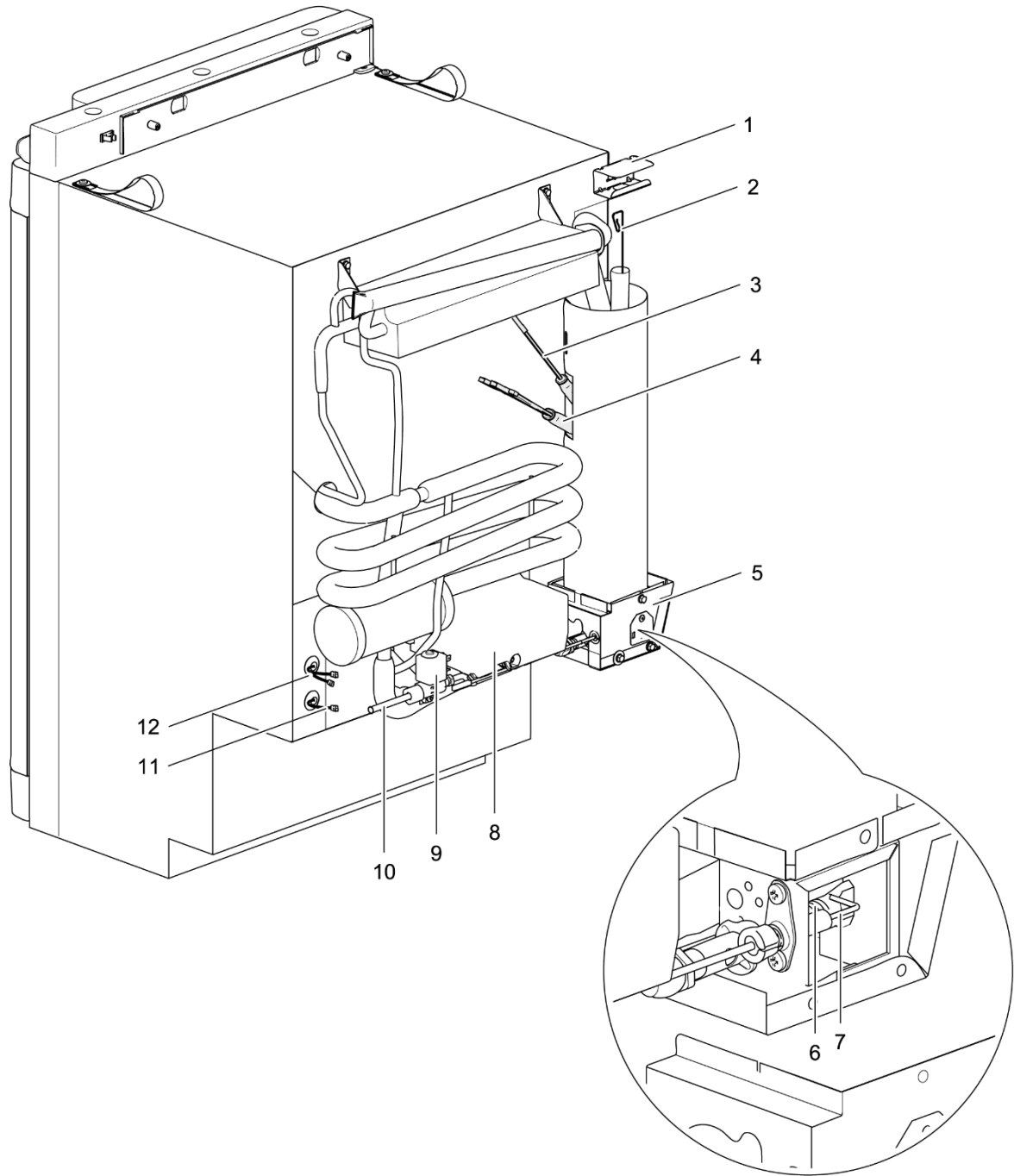
* With a request for information or service, always provide the serial number of the refrigerator. The serial number is the code below the barcode on the identification label.



		Spare part number	Spare part number	Spare part number	Colours available
1	Technical panel curved	690825			
2	Screws				
3	Housing curved				
	Right hinged	690826			27
	Left hinged	690827			27
4	Screws				
5	Overlay LED+		692242		
6	Sticker LED+	692240		692243	
7	PCB LED+ DM				
	PCB LED+ DM FOR BATTERY PACK			692244 ¹	
8	Battery hatch				
	Battery pack	690225			27
9	Sticker LCD	692241			
10	PCB LCD DM		692245		

¹ including spare part 'Sticker LED+' (#6)

N4080-N4090-N4097-N4108-N4112-back



		Spare part number	Spare part number	Colours available
1	Heat cap	690812		
2	Heat diffuser	690878		
3	Heater AC	692250		
4	Heater DC	633574		
5	Heater box			
6	Burner assembly	634570		
7	Spark electrode	690813		
8	Power control board	692247		
9	Gas valve	690810		
10	Gas pipe			
11	Thermistor cable			
	Loose connector temperature <i>power board side</i>	690855	690853	
12	Communication cable			
	Loose connectors communication and CI-bus	690856	690854	