

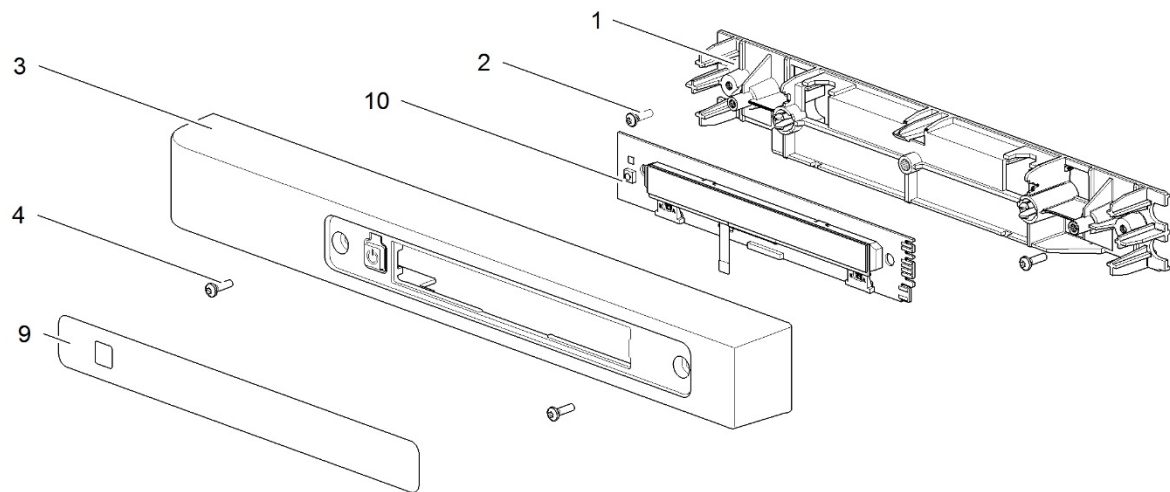
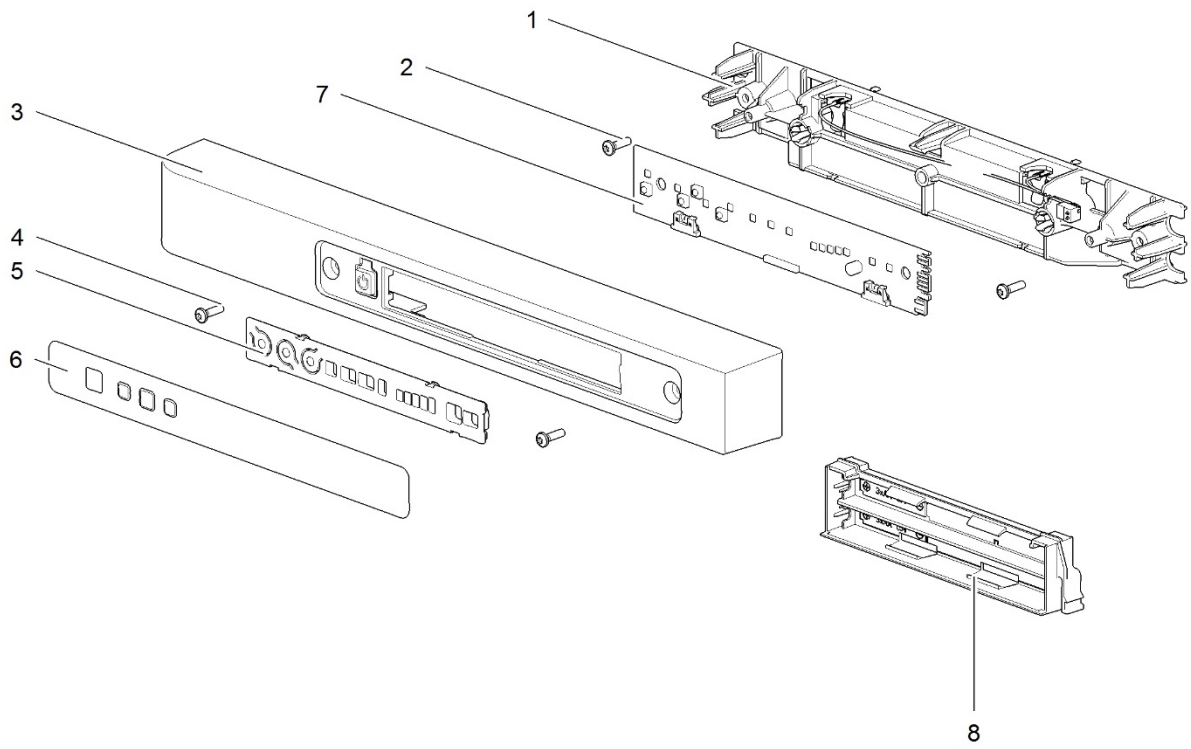
17*

Model No		Type C11 C4	CE
Serie No		Climate Class SN	
220 VAC 50/60 Hz 100-120 W 12 VDC 1.140 W 130112			
Größe Volumen	100 L	Dr. 25	
Brutto Volumen			
Volumen Einst.			
Brutto Volumen			
Prozessor Volumen	4-230271-28-3027 m³/m		
Gasfüllung	R600a (ISBP 630G01: 30 m³/m)		
Werkstoff			
Nett. Gewicht	102		
Werkstoff			
Netto Volumen			
CE 0903 043287	Part No	634827	
ABSORBER NH3 = 154.5 g	NA3CR04 = 15.1 g	gross = 31 m³	
CPFC/HCFC/FREE (FOM, FOM FREE)		E2019 0020_SerieFridge_EUR	

LE991_N3108-front_1015-V02

		Spare part number	Spare part number	Spare part number	Colours available
1	Latch				
2	Storage strap (2x)	626986	691468		27
3	Strike plate				
4	Pocket cover				
5	Freezer door		690852		08
	Hinge freezer door (2x)	624680			
6	Hinge plate				
7	Cap (2x)	623622			08
8	Control panel	<i>Refer to page 32</i>			
9	Mounting box				
10	Ice cube tray				
11	Cap freezer bolt (12x)	624479			08
12	Fin				
13	Fin clip	623059			
14	Thermistor	623077			
15	Shelf 454 x 205	690831			08
16	Clip shelf large	623625			08
17	Identification label *				
18	Shelf 455 x 174	690832			08
19	Clip shelf small	623626			08
20	Vegetable bin	690833			08
21	Latch bottom	624000			27
22	Hinge plate				
23	Door bin flat wide	690818			08
24	Bottle retainer	626989			12
25	Door bin flat shallow	690817			08
26	Shelf food retainer	691188			08

* With a request for information or service, always provide the serial number of the refrigerator. The serial number is the code below the barcode on the identification label.

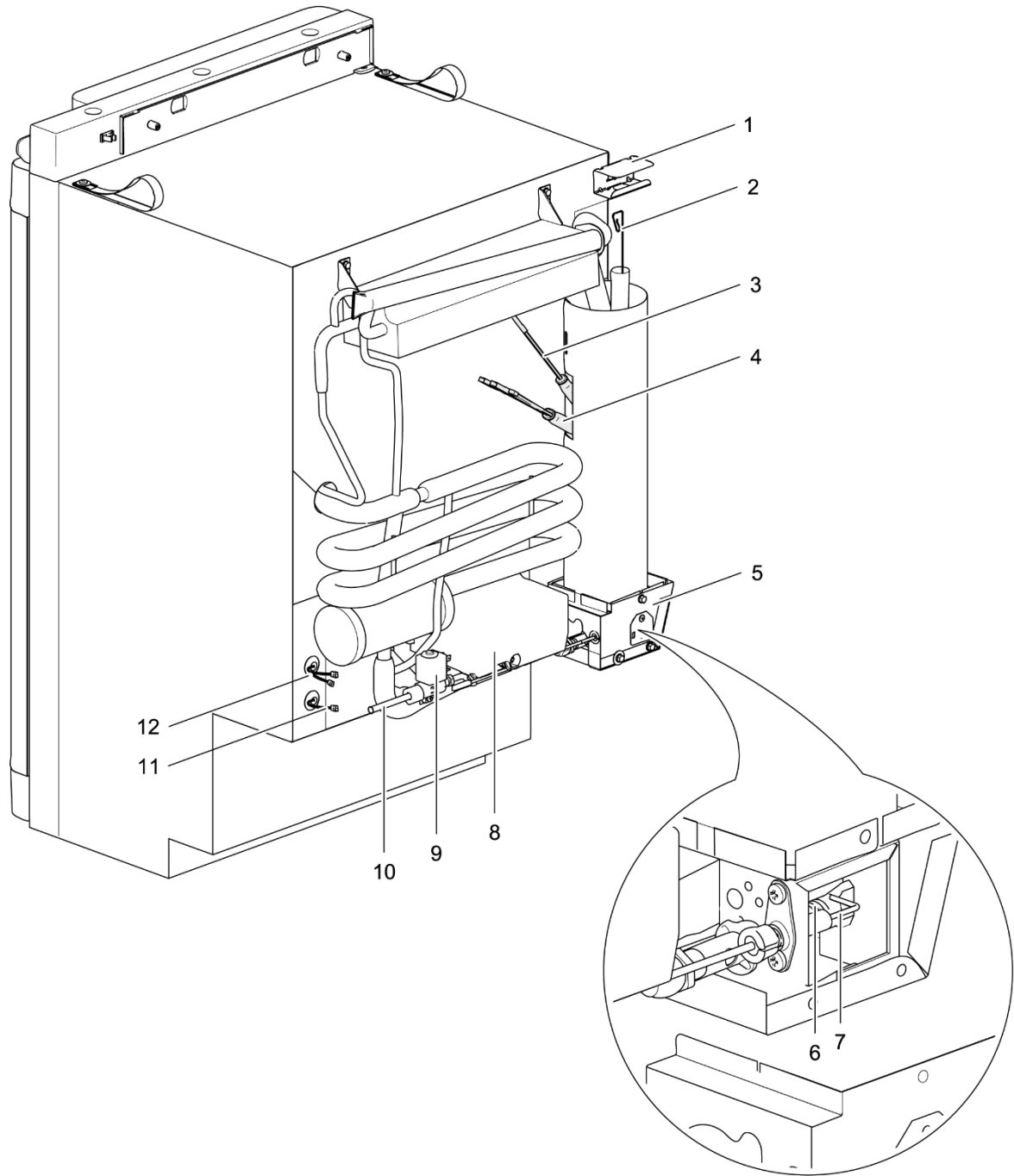


LE1004_Control Panel+flat525_1214-V04

		Spare part number	Spare part number	Spare part number	Colours available
1	Technical panel flat	690806			
2	Screws				
3	Housing flat				
	Right hinged flat door 10 mm	691463			27
	Left hinged flat door 10 mm	691464			27
4	Screws				
5	Overlay LED+		692242		
6	Sticker LED+	692240		692243	
7	PCB LED+ DM				
	PCB LED+ DM FOR BATTERY PACK			692244 ¹	
8	Battery hatch				
	Battery pack	690225			27
9	Sticker LCD	692241			
			692245		
10	PCB LCD DM				

¹ including spare part 'Sticker LED+' (#6)

N4080-N4090-N4097-N4108-N4112-back



		Spare part number	Spare part number	Colours available
1	Heat cap	690812		
2	Heat diffuser	690878		
3	Heater AC	692250		
4	Heater DC	633574		
5	Heater box			
6	Burner assembly	634570		
7	Spark electrode	690813		
8	Power control board	692247		
9	Gas valve	690810		
10	Gas pipe			
11	Thermistor cable			
	Loose connector temperature <i>power board side</i>	690855	690853	
12	Communication cable			
	Loose connectors communication and CI-bus	690856	690854	