

17*

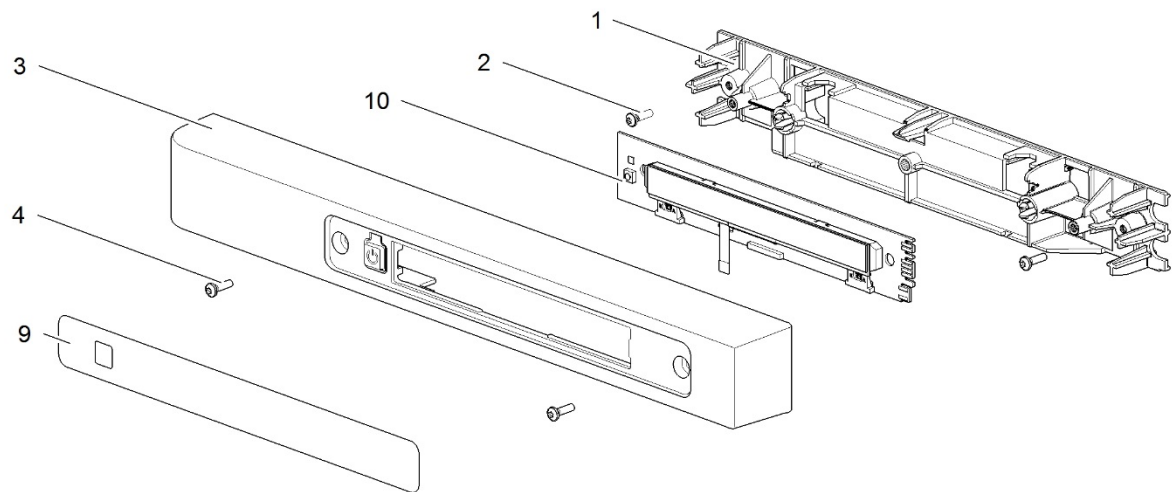
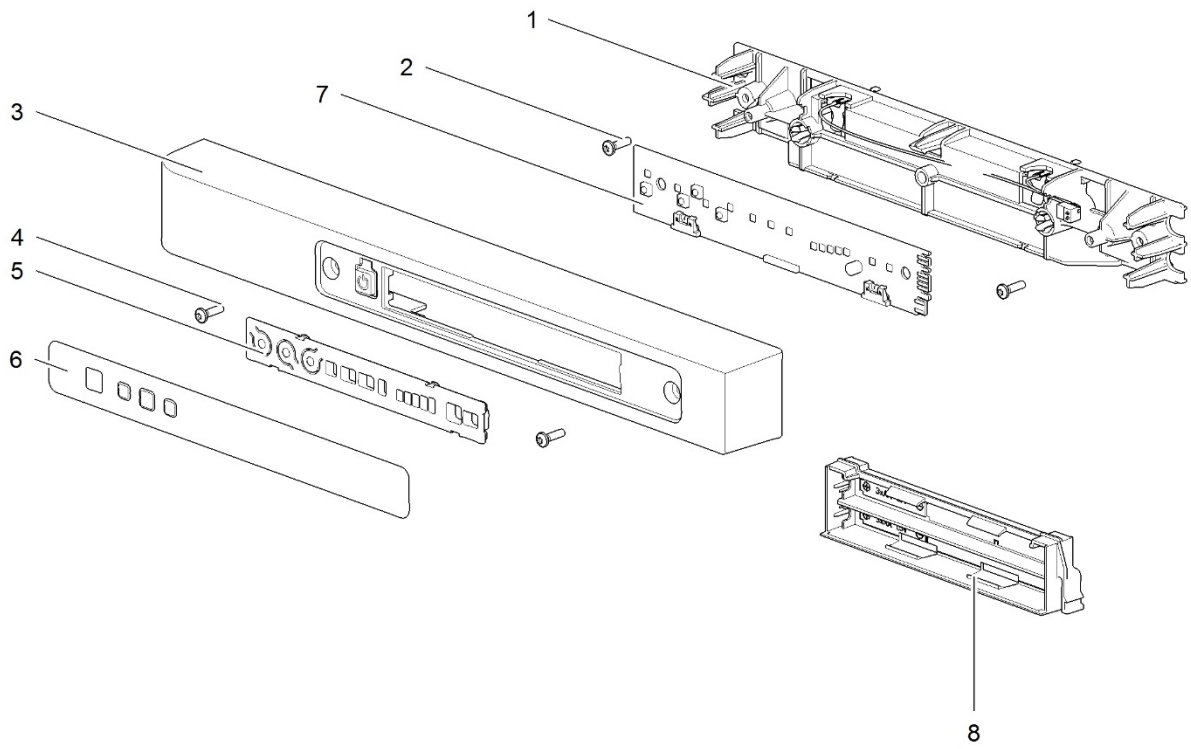
TRIFLEX Model No. <input type="text"/> Type C11 Serie No. <input type="text"/>	
230 VAC / 50 Hz / 155 W / 12 VDC / 140 W Climate Class GSD 53112	
Gross Volume Netto Volume Volumen Brutt Brutto Volumen	108 L 95 L 108 L 108 L
Freezer Volume Gefrierfach Volumen Volumen Comp Volumen Gefrier	0/30/0/31-30/0/31 m³ 0/30/0/31-30 m³ 0/30/0/31-30 m³ 0/30/0/31-30 m³
Netto Netto Volumen Netto Volumen	102 L 102 L 102 L 102 L
CE 0063 EN1297 ABSORBER NH3 = 154,6 g N2/C2H6 = 10,1 g g max = 21 kg CFC-HCFC-FREE / FKW-FCKW-FREI	P/Nr No. 034027 830019 9020_Serial/Plaque_EUR

SPECIMEN

LE989_N3100-front_1015-V03

	Spare part number	Spare part number	Spare part number	Colours available
1	Latch			
2	Storage strap (2x)	626986	691468	27
3	Strike plate			
4	Pocket cover			
5	Freezer door		690852	
	Hinge freezer door (2x)	624680		08
6	Hinge plate			
7	Cap (2x)	623622		08
8	Control panel	<i>Refer to page 32</i>		
9	Mounting box			
10	Ice cube tray			
11	Cap freezer bolt (12x)	624479		08
12	Fin			
13	Fin clip	623059		
14	Shelf 455 x 133	690815		08
15	Clip shelf small	623626		08
16	Thermistor	623077		
17	Identification label *			
18	Shelf 454 x 220	690828		08
19	Clip shelf large	623625		08
20	Vegetable bin	690829		08
21	Latch bottom	624001		27
22	Hinge plate			
23	Door bin flat wide	690818		08
24	Bottle retainer	626989		12
25	Door bin flat shallow	690817		08
26	Shelf food retainer	691188		08

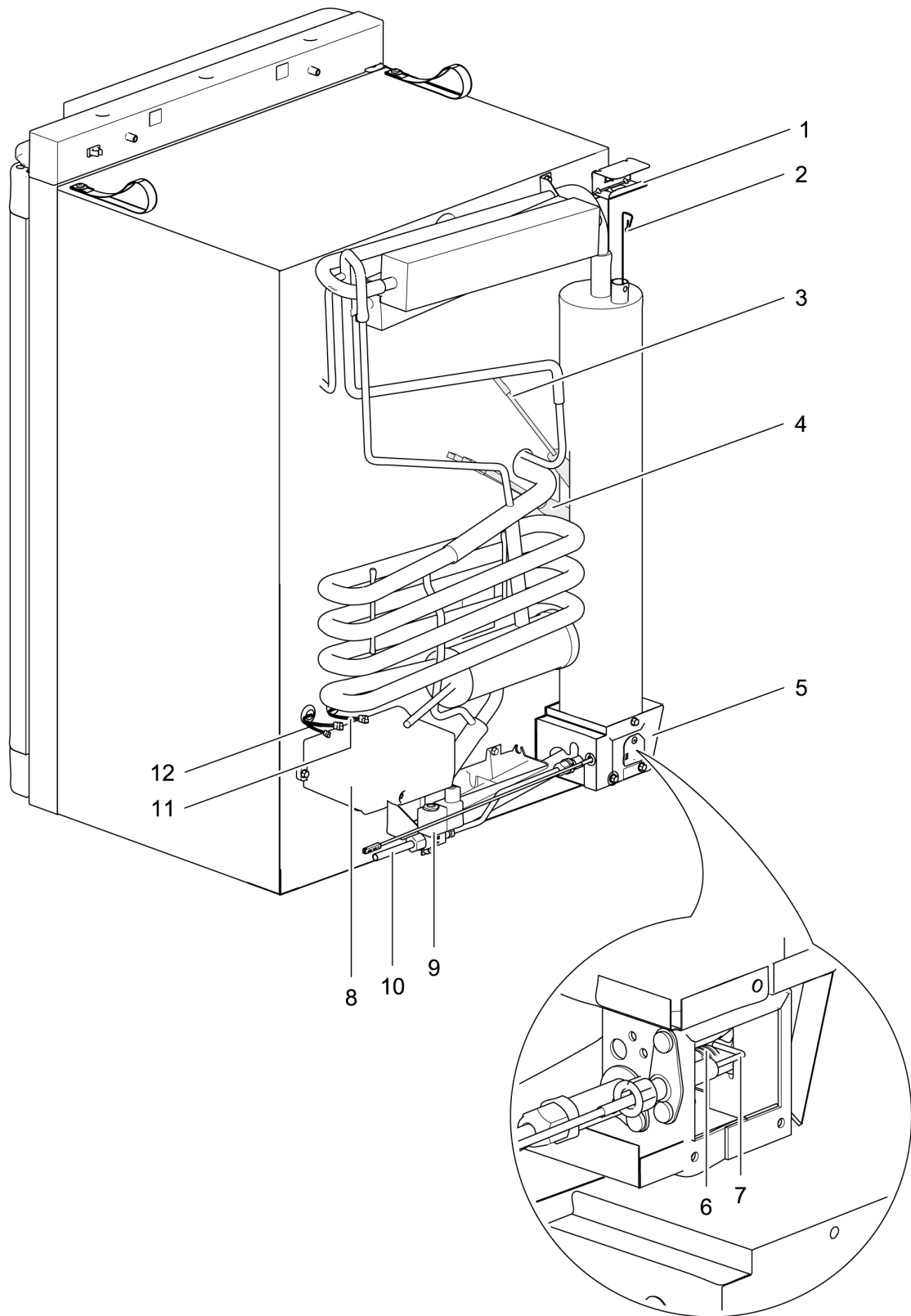
* With a request for information or service, always provide the serial number of the refrigerator. The serial number is the code below the barcode on the identification label.



LE1004_Control Panel+flat525_1214-V04

		Spare part number	Spare part number	Spare part number	Colours available
1	Technical panel flat	690806			
2	Screws				
3	Housing flat				
	Right hinged flat door 10 mm	691463			27
	Left hinged flat door 10 mm	691464			27
4	Screws				
5	Overlay LED+		692242		
6	Sticker LED+	692240		692243	
7	PCB LED+ DM				
	PCB LED+ DM FOR BATTERY PACK			692244 ¹	
8	Battery hatch				
	Battery pack	690225			27
9	Sticker LCD	692241	692245		
10	PCB LCD DM				

¹ including spare part 'Sticker LED+' (#6)



		Spare part number	Spare part number	Colours available
1	Heat cap	690812		
2	Heat diffuser	690878		
3	Heater AC	692250		
4	Heater DC	633574		
5	Heater box			
6	Burner assembly	623019		
7	Spark electrode	690830		
8	Power control board	692247		
9	Gas valve	690810		
10	Gas pipe			
11	Thermistor cable			
	Loose connector temperature <i>power board side</i>	690855	690853	
12	Communication cable			
	Loose connectors communication and CI-bus	coming soon	coming soon	