

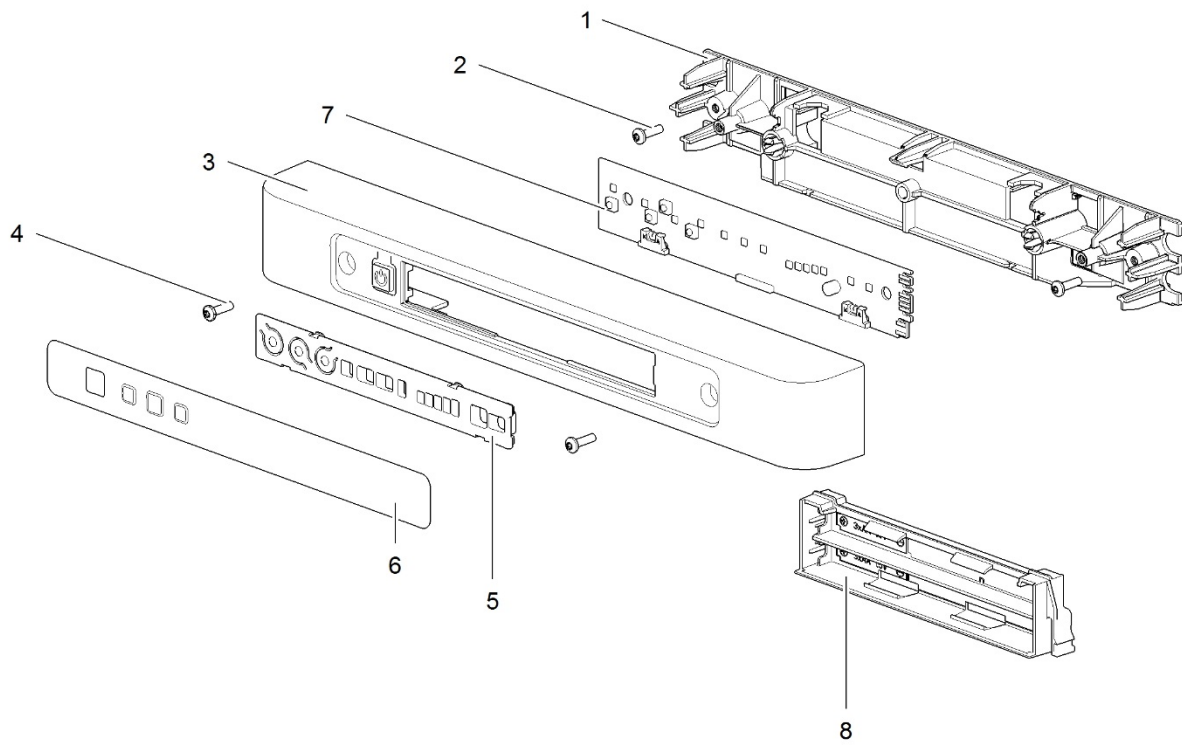
18*

Model No Serie No	Type Check Class
230 VAC / 50 / 60 Hz / 1.85 W / 12 VDC / 140 W	
Gross Volume Netto Volume Volume Brat Brutto Volume	100 L
Pressure Volume Schräglage Volume Volume Compensat Volume Uncompensat	0.30 G31 28-2007 mbar 138P 0.30003 30 mbar
Netto Volume Brutto Volume Netto Volume	100 L 100 L 100 L
SS 0063 BK2287	Part No: 034607
ABSORBER NH3 = 194.9 g NACC04 = 10.1 g g max = 21 kg	E20019 0020_SeriesFridge_CDR
CFCX:HCFC:PFGE / PFKW:FKKW:PFGE	0020_SeriesFridge_CDR

LE974_N3080-front_1015-V03

		Spare part number	Spare part number	Colours available
1	Latch			27
2	Storage strap (2x)	626986	626985	27
3	Strike plate			
4	Pocket cover			
5	Freezer door		623036	08
	Hinge freezer door (2x)	624680		08
6	Hinge plate			
7	Cap (2x)	623622		08
8	Control panel	<i>Refer to page 30</i>		
9	Mounting box			
10	Ice cube tray			
11	Cap freezer bolt (12x)	624479		08
12	Fin			
13	Fin clip	623059		
14	Thermistor	623077		
15	Shelf 416 x 176	690800		08
16	Clip shelf small	623626		08
17	Hinge pin			
18	Identification label *			
19	Shelf 416 x 130	690801		08
20	Clip shelf small	623626		08
21	Hinge pin			
22	Vegetable bin	690802		08
23	Latch bottom	624001		27
24	Hinge plate			
25	Door bin flat wide	690804		08
26	Bottle retainer	626989		12
27	Door bin flat shallow	690803		08
28	Shelf food retainer	691114		08

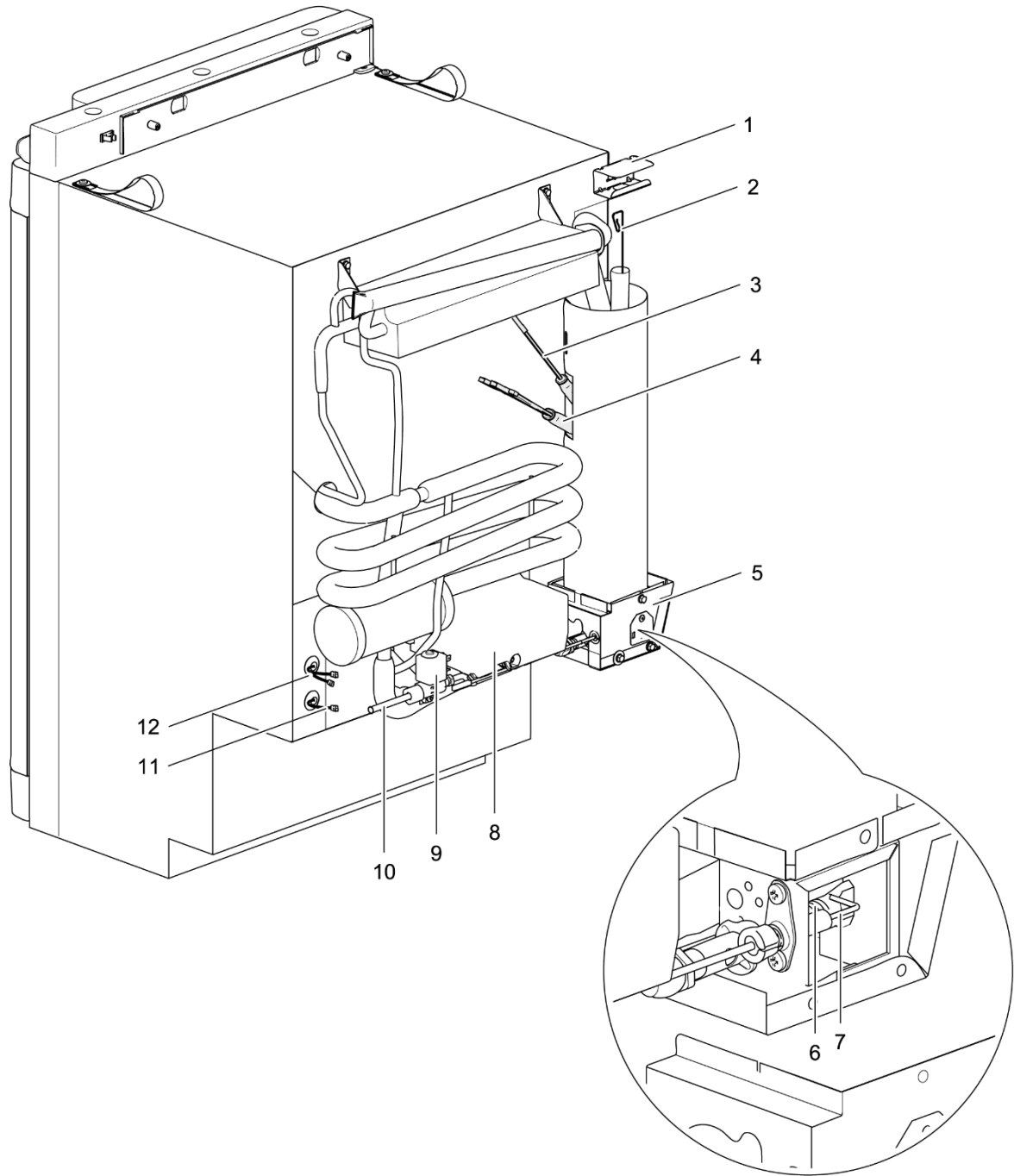
* With a request for information or service, always provide the serial number of the refrigerator. The serial number is the code below the barcode on the identification label.



		Spare part number	Spare part number	Spare part number	Colours available
1	Technical panel flat	690806			
2	Screws				
3	Housing flat	690807			27
4	Screws				
5	Overlay LED+		692242		
6	Sticker LED+	692240		692243	
7	PCB LED+ DM				
	PCB LED+ DM FOR BATTERY PACK			692244 ¹	
8	Battery hatch				
	Battery pack	690225			27

¹including spare part 'sticker LED+' (#6)

N4080-N4090-N4097-N4108-N4112-back



		Spare part number	Spare part number	Colours available
1	Heat cap	690812		
2	Heat diffuser	690878		
3	Heater AC	692250		
4	Heater DC	633574		
5	Heater box			
6	Burner assembly	634570		
7	Spark electrode	690813		
8	Power control board	692247		
9	Gas valve	690810		
10	Gas pipe			
11	Thermistor cable			
	Loose connector temperature <i>power board side</i>	690855	690853	
12	Communication cable			
	Loose connectors communication and CI-bus	690856	690854	