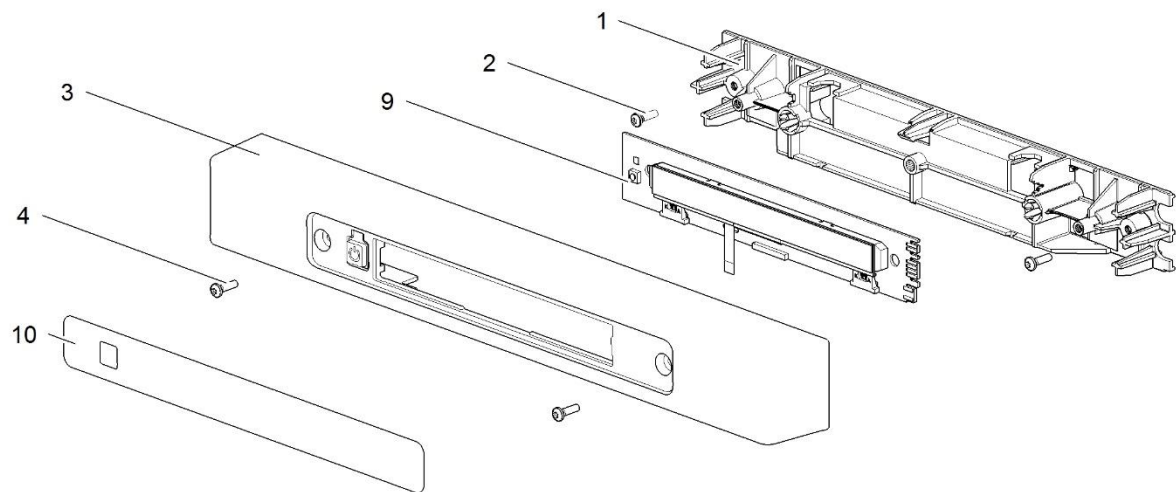
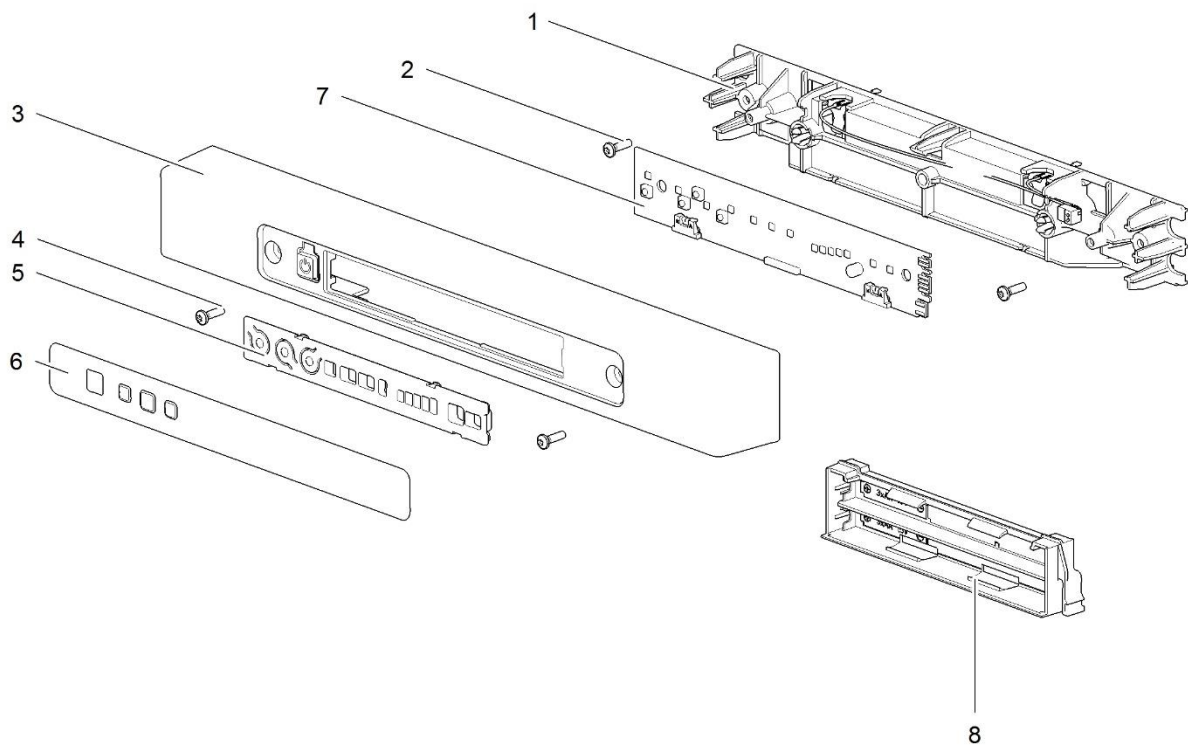




|    |                              | Spare part number       | Spare part number      | Colours available |
|----|------------------------------|-------------------------|------------------------|-------------------|
| 1  | Hinge plate top left         | 691111<br>< 01-05-2015  | 691456<br>≥ 01-05-2015 | 27                |
| 2  | Hinge plate top right        |                         |                        |                   |
| 3  | Hinge pin (including spring) |                         |                        |                   |
| 4  | Hinge plate bottom right     |                         |                        |                   |
| 5  | Hinge plate bottom left      |                         |                        |                   |
| 6  | Hinge pin bottom             |                         |                        |                   |
| 7  | Control panel                | <i>Refer to page 38</i> |                        |                   |
| 8  | Cap freezer bolt (12x)       | 624479                  |                        | 08                |
| 9  | Ice cube tray                |                         |                        |                   |
| 10 | Freezer door                 |                         | 691112                 |                   |
|    | Hinge freezer door (2x)      | 624680                  |                        | 08                |
| 11 | Fin                          |                         |                        |                   |
| 12 | Door lock plate              |                         | 691113                 |                   |
| 13 | Door handle                  |                         |                        |                   |
| 14 | Shelf food retainer          | 691114                  |                        | 08                |
| 15 | Shelf 340 x 182              | 691115                  |                        | 08                |
| 16 | Clip shelf small             | 623626                  |                        | 08                |
| 17 | Clip shelf large             | 623625                  |                        | 08                |
| 18 | Shelf 340 x 241              | 691116                  |                        | 08                |
| 19 | Drip tray                    | 691885                  |                        | 08                |
| 20 | Cap (2x)                     | 623622                  |                        | 08                |
| 21 | Fin clip                     |                         | 623077                 |                   |
| 22 | Thermistor                   |                         |                        |                   |
| 23 | Guiding cover                | 691118                  |                        | 08                |
| 24 | Slide-out box                | 691119                  |                        | 08, 12            |
| 25 | Shelf 340 x 268              | 691117                  |                        | 08                |
| 26 | Divider bar                  |                         |                        |                   |
| 27 | Drawer handle                | 691287                  |                        | 27                |
| 28 | Drawer divider               | 691120                  |                        | 12                |
| 29 | Drawer guides                | 691123                  |                        |                   |
| 30 | Drawer bin                   | 691288                  |                        | 08                |
| 31 | Drawer door                  | 690521                  |                        | 27R               |
| 32 | Cabinet door                 | 690519                  |                        | 27R               |
| 33 | Door bin                     | 691121                  |                        | 08, 12            |
| 34 | Identification label*        |                         |                        |                   |
| NA | Clip - door conversion (2x)  | 691127                  |                        |                   |

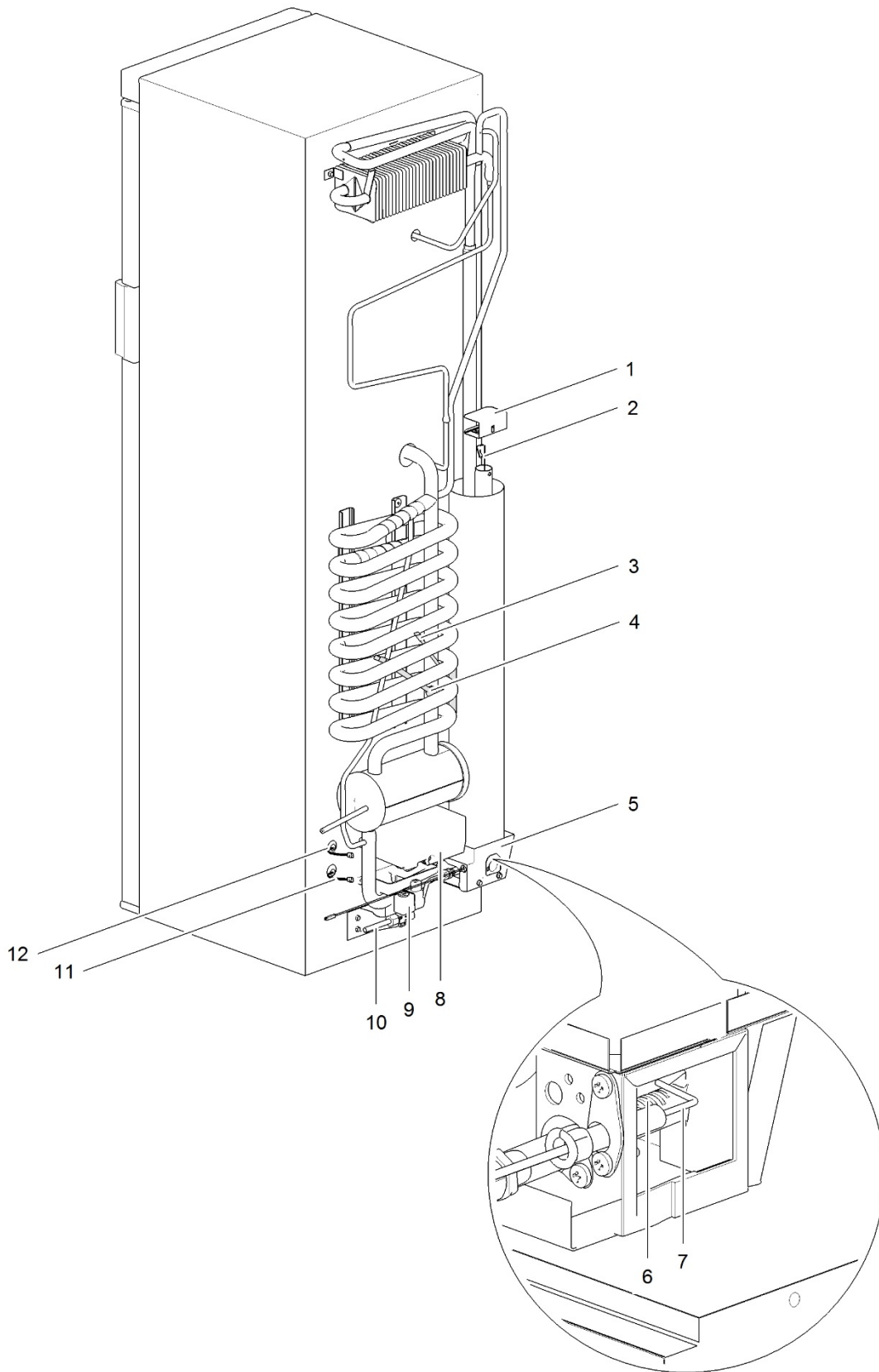
\* With a request for information or service, always provide the serial number of the refrigerator. The serial number is the code below the barcode on the identification label.



|    |                                     | Spare part number | Spare part number | Spare part number | Colours available |
|----|-------------------------------------|-------------------|-------------------|-------------------|-------------------|
| 1  | Technical panel flat <sup>1/2</sup> | 691102            |                   |                   |                   |
| 2  | Screws                              |                   |                   |                   |                   |
| 3  | Housing flat <sup>1/2</sup>         |                   | 691104            |                   | 27                |
| 4  | Screws                              |                   |                   |                   |                   |
| 5  | Overlay LED                         |                   | 691105            |                   |                   |
| 6  | Sticker LED                         | 691106            |                   | 691103            |                   |
| 7  | PCB LED+ DM                         |                   |                   |                   |                   |
| 8  | Battery hatch                       |                   |                   |                   |                   |
|    | Battery pack                        | 690225            |                   |                   | 27                |
| 9  | PCB LCD DM                          |                   | 691108            |                   |                   |
| 10 | Sticker LCD                         | 691110            |                   |                   |                   |

<sup>1</sup> Order also spare part 'Sticker LED' (#6) with this spare part number for a LED-version

<sup>2</sup> Order also spare part 'Sticker LCD' (#10) with this spare part number for a LCD-version



LE1112\_N3141-N3142-back

|    |  | Spare part number | Spare part number                        | Colours available |
|----|--|-------------------|--|-------------------|
| 1  | Heat cap   | 690839            |  |                   |
| 2  | Heat diffuser  | 692583            |  |                   |
| 3  | Heater AC  | 691124            |  |                   |
| 4  | Heater DC  | 691125            |  |                   |
| 5  | Heater box   |                   |  |                   |
| 6  | Burner assembly  | 623058            |  |                   |
| 7  | Spark electrode  | 690840            |  |                   |
| 8  | Power control board                                    | 692247            | (old SR 691101 is not available anymore) |                   |
| 9  | Gas valve  | 690810            |  |                   |
| 10 | Gas pipe   |                   |  |                   |
| 11 | Thermistor cable                                       |                   |  |                   |
|    | Loose connector temperature<br><i>power board side</i> | 690855            | 690853                                   |                   |
| 12 | Communication cable                                    |                   |  |                   |
|    | Loose connector communication                          | 690856            | 690854                                   |                   |