

Heki 3 / 3plus

Art. 1336

Content

Ordering Details

Technical Drawings

Spare Parts Acrylic Dome

Spare Parts Exterior Frame

Spare Parts Interior Frame

Ordering Details Heki 3 / 3plus

Art. 1336

Type: **HEKI 3**

Ordering Size: Aperture
960 x 655 mm / 4 x radius 65 mm

Roof Thickness: _____ mm (25 to 60 mm*)

Colours:	Frames	Pleated Blind Blackout	Flynet
<input type="radio"/>	RAL 7035 / light grey*	grey/grey	black
<input type="radio"/>	RAL 9001 / cream	grey/beige	black

Glazing Dome: Acrylics grey tinted, double-glazed

Lighting: without lighting*
 with lighting 12 volt / 2x 8 watt fluorescent lamp (in short side installed)

Version:	Part No. Customer
<input type="radio"/> for manufacturers incl. assembly parts (industrial packaging)	_____
<input type="radio"/> for manufacturers without assembly parts (industrial packaging)	_____
<input type="radio"/> for accessory roof thickness 25-32 (single packaging)	_____

(further information about assembly part kits see on page 5/10 – exterior frame)

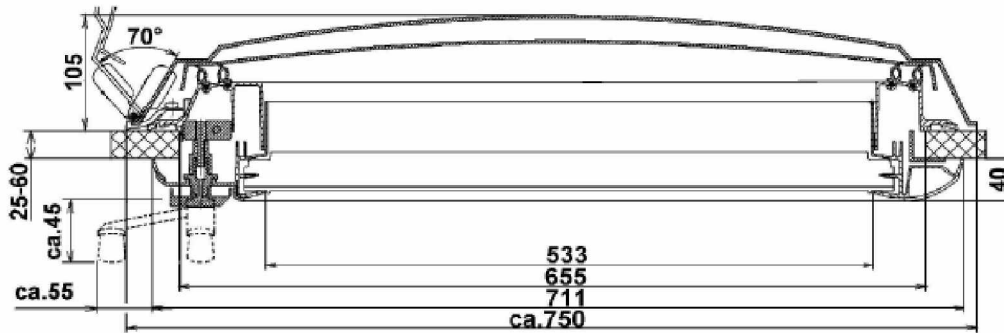
Customer: _____

Remarks: _____

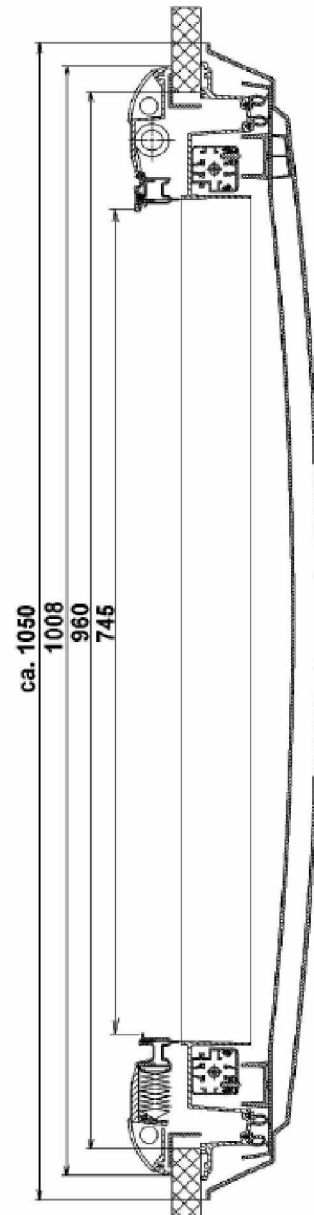
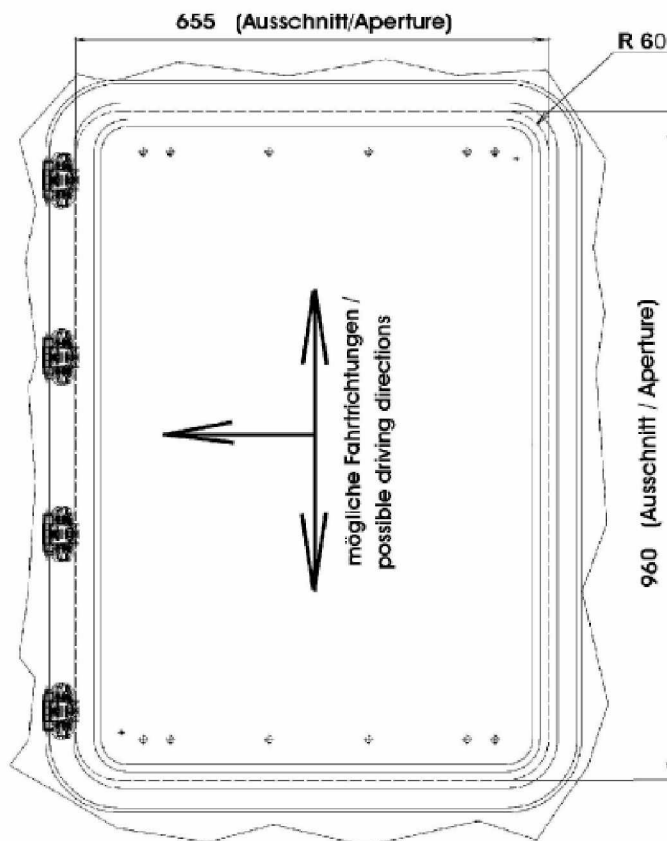
Signature: _____ Date: _____

* = only for manufacturers

Technical Drawing Heki 3 / 3plus



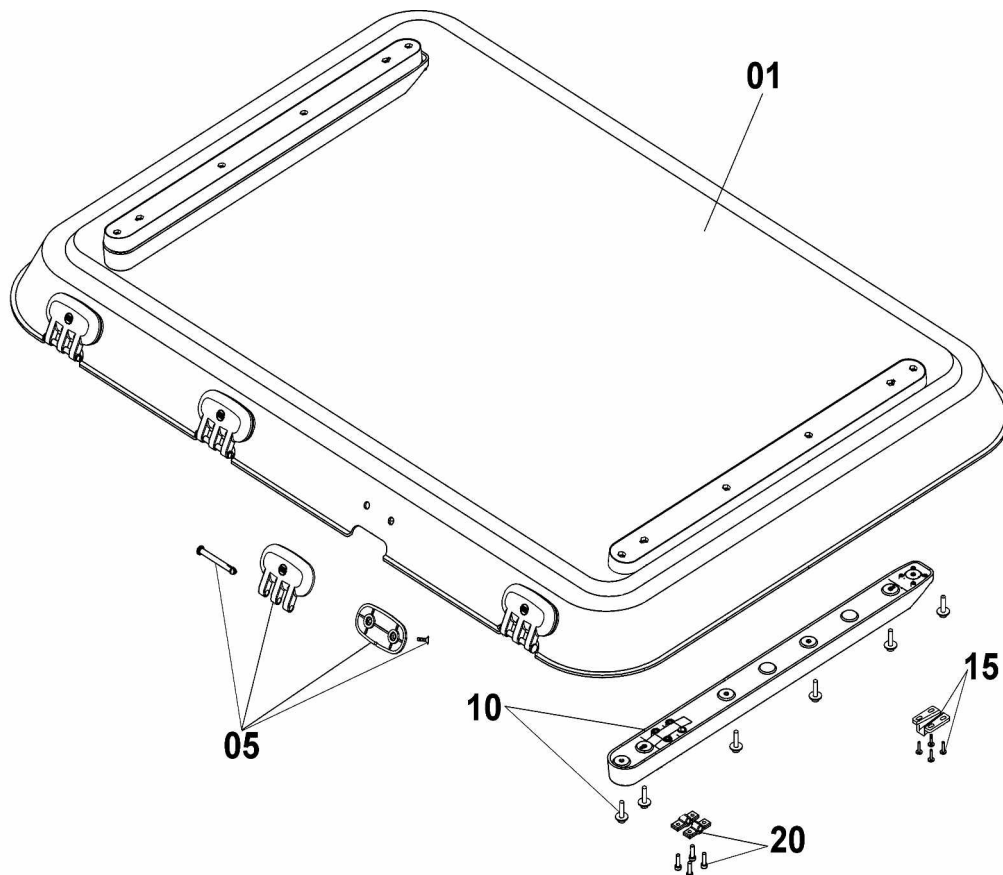
Gewicht / weight: 15 kg
Öffnungswinkel max. /
max. opening: 70 °



Spare Parts Heki 3 / 3plus Glass Panel

	Description	Part No.	Pack. Unit
01	Glazing panels without fixings assembly parts	BG1274	1
05	Hinge with fixings	BG1275	1
10	Connection plates with fixings	BG1276	1
15	Guide plates with fixings	BG1277	1
20	Fixing profile complete	BG1278	1
25	Glazing panel with assembly parts (Pos. 01 to 20)	BG1279	1

Important: When ordering specify - description, colour, quantity.



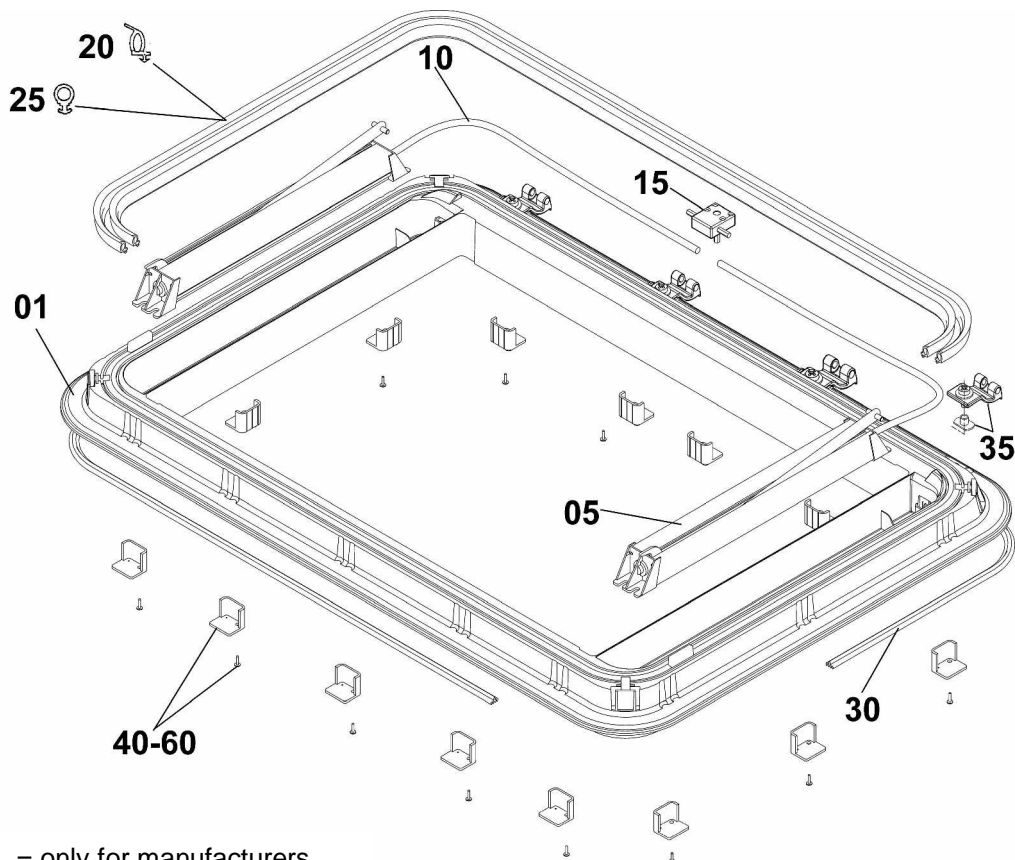
Spare Parts Heki 3 / 3plus

Exterior Frame

Standard colours	Code
RAL 7035 light grey *	09
RAL 9001 cream	25

	Description	Part No.	Pack. Unit
01	Exterior frame	BG 1256	1
05	Drive mechanism (without axle-drive shaft)	BG 1257	1 pair
10	Axle-drive shaft for Heki3	BG 1258	1 pair
15	Gear box of crank/handle, i = 1: 1	550E2001	1
20	Seal without ventilation	540E12	5 m
25	Seal with ventilation	540E07	5 m
30	Profile seal	550E23	5 m
35	Hinge device	BG 1259	1 set
40	Fixing with screws (wall thickness 25-32 mm), grey	ZUB 1347	1 set
45	Fixing with screws (wall thickness 32-39 mm), black	ZUB 1348	1 set
50	Fixing with screws (wall thickness 39-46 mm), yellow	ZUB 1349	1 set
55	Fixing with screws (wall thickness 46-53 mm), blue	ZUB 1350	1 set
60	Fixing with screws (wall thickness 53-60 mm), red	ZUB 1351	1 set
65	Complete exterior frame (pos. 02 to 40)	BG 1260	1

Important: When ordering specify - description, colour, quantity, wall thickness, ventilation (Y/N).



* = only for manufacturers

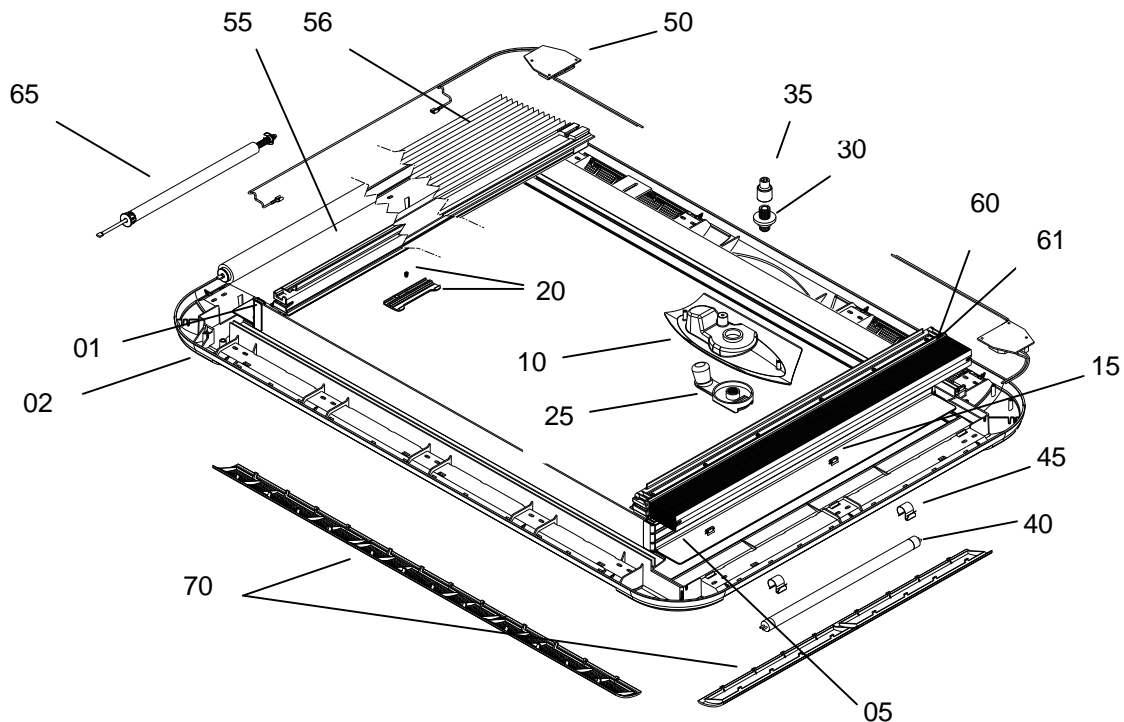
Spare Parts Heki 3 / 3plus

Interior Frame

Standard colours	Code
RAL 7035 light grey *	09
RAL 9001 cream	25

	Description	Part No.	Pack. Unit
01	Interior frame for Heki 3 (without assembly parts)	not available	
02	Interior frame for Heki 3plus (without assembly parts)	BG 1720	1
05	Cover interior frame	BG 1262	1 set
10	Cover for handle	BG 1263	1
15	Spring clip	BG 1113	1 set
20	Seesaw with spring	BG 1264	1
25	Crank/handle with assembly parts	BG 1265	1
30	Drive pinion	BG 1266	1
35	Link for wall thickness 25-32, 32-39, 39-46, 46-53 or 53-60mm	BG 1267	1
40	Fluorescent lamp 12V/8 Watt	BG 1268	1
45	Aufnahme für Leuchtmittel	BG 1269	1 set
50	Elektronik-Vorschaltgerät	BG 1591	1
55	Flynet/blind for Heki 3 (ready to install)	BG 1271	1 set
56	Flynet/blind for Heki 3plus (ready to install)	BG 1721	1 set
60	Blind for Heki 3 (ready to install)	BG 1272	1 set
61	Blind for Heki 3plus (ready to install)	BG 1722	1 set
65	Spring motor	FM 1002	1
70	Ventilation profile and lamp cover (Version with lighting)	ZB1026	1 set
	Ventilation profile and lamp cover (Version without lighting)	ZB1029	1 set
75	Interior frame for Heki 3 complete (pos. 01 - 70)	not available	
76	Interior frame for Heki 3 PLUS complete (pos. 02 - 70)	BG 1678	1

Important: When ordering specify - description, colour, wall thickness, quantity.



* = only for manufacturers