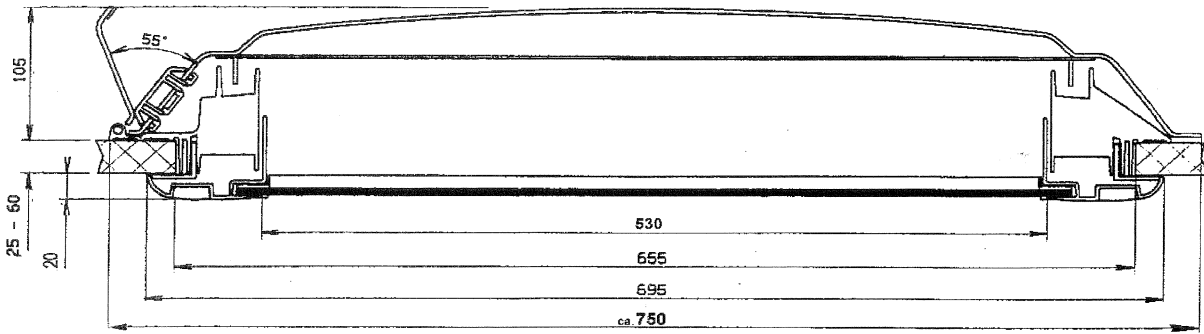
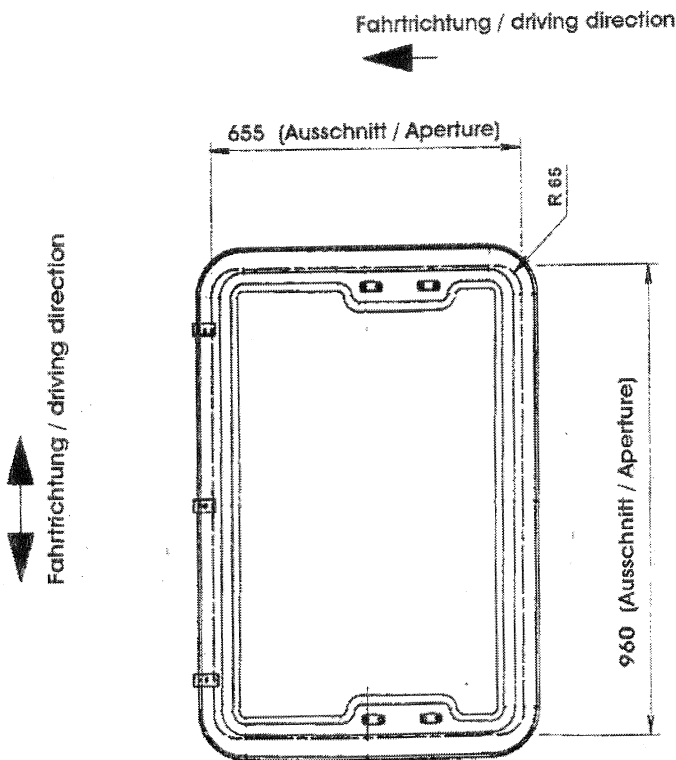
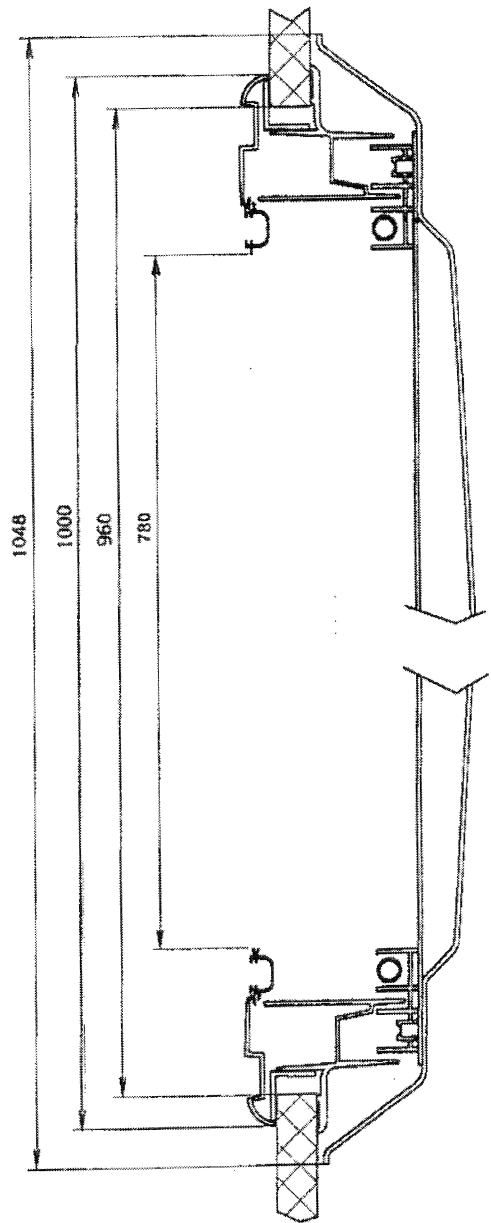


SEITZ HEKI II

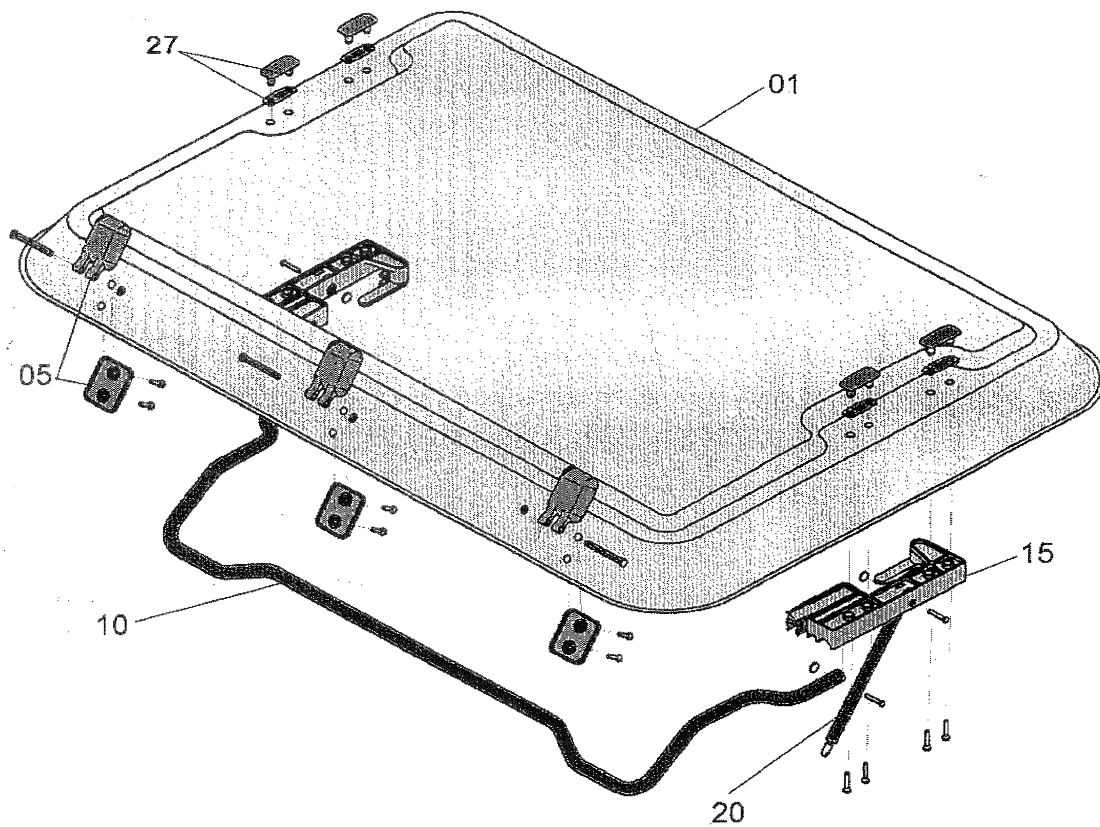
Technical Drawing Heki 2



Gewicht / weight:	11 kg
Öffnungswinkel max. / max. opening:	55 °
Lüftungsquerschnitte / permanent ventilation:	
25 - 26 mm:	115 cm ²
27 - 60 mm:	130 cm ²

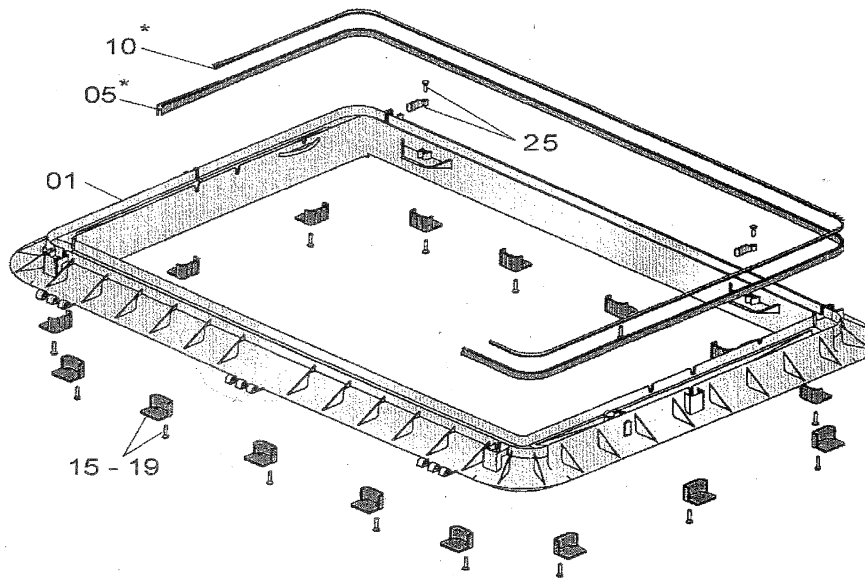


ACRYLIC DOME



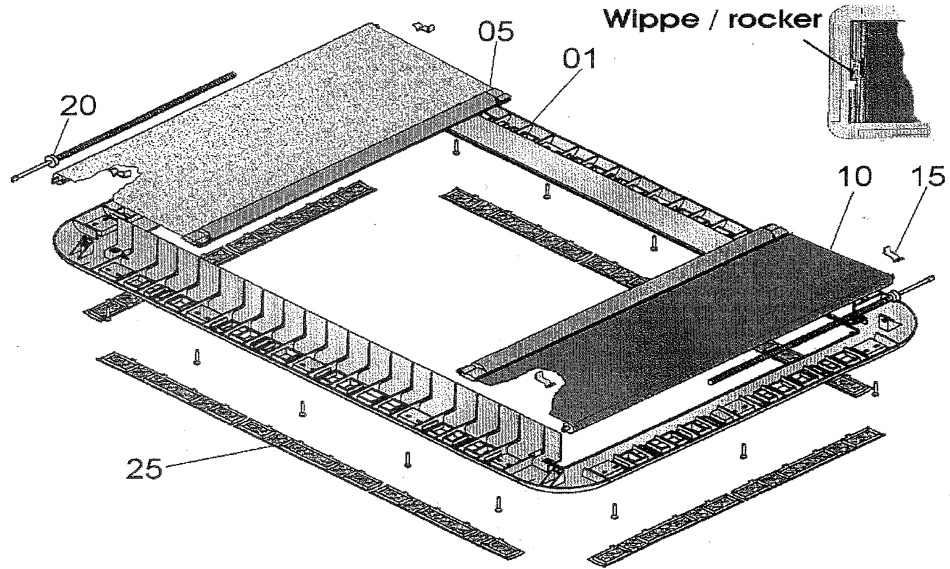
	DESCRIPTION	PART No.	PACK UNIT
01	GLAZING PANEL	57OE01	1
05	TOP HINDGE	57OE05	1
10	OPERATING BAR	57OE10	1
15	LIFT HANDLES	57OE35	1 SET
20	GAS STRUTS	57OE20	1
27	CAP COVERS	57OE27	1

EXTERIOR FRAME



	DESCRIPTION	PART No.	PACK UNIT
01	EXTERIOR FRAME WITHOUT FIXINGS	590E01	1
05	BRUSH PROFILE *UNTIL 10/98*	590E05	1
10	BRUSH PROFILE*ONLY FOR MANUFACTURERS*	590E10	1
15	MOUNTING KIT COMPLETE(25-32mm)GREY	ZUB1347	1 SET
16	MOUNTING KIT COMPLETE(32-39mm)BLACK	ZUB1348	1 SET
17	MOUNTING KIT COMPLETE(39-46mm)YELLOW	ZUB1349	1 SET
18	MOUNTING KIT COMPLETE(46-53mm)BLUE	ZUB1350	1 SET
19	MOUNTING KIT COMPLETE(53-60mm)RED	ZUB1351	1 SET
25	CLOSING BRACKETS FOR OPERATING BAR	590E25	1 SET

INTERIOR FRAME



	DESCRIPTION	PART No.	PACK UNIT
01	INTERIOR FRAME ONLY WITH FIXING SCREWS	58OE01	1
05	FLYSCREEN COMPLETE	58OE05	1 SET
10	BLIND COMPLETE	58OE10	1 SET
15	SPRING CLIPS	58OE15	1 SET
20	SPRING MOTOR	FMO082	1
25	VENTILATION SCREW COVERS CREAM	56OE35	1 SET
25	VENTILATION SCREW COVERS IVORY	56OE35W	1 SET
25	VENTILATION SCREW COVERS GREY	56OE35G	1 SET
30	INTERIOR FRAME COMPLETE CREAM	58OE30-12	1
30	INTERIOR FRAME COMPLETE IVORY	58OE3025	1