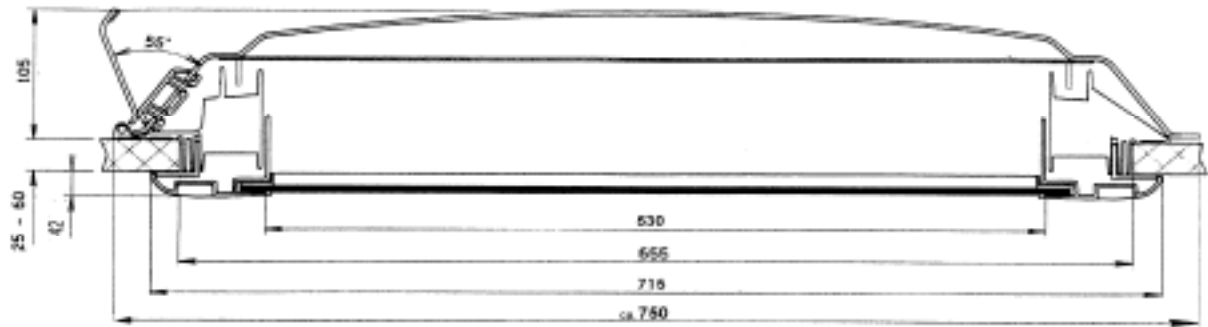
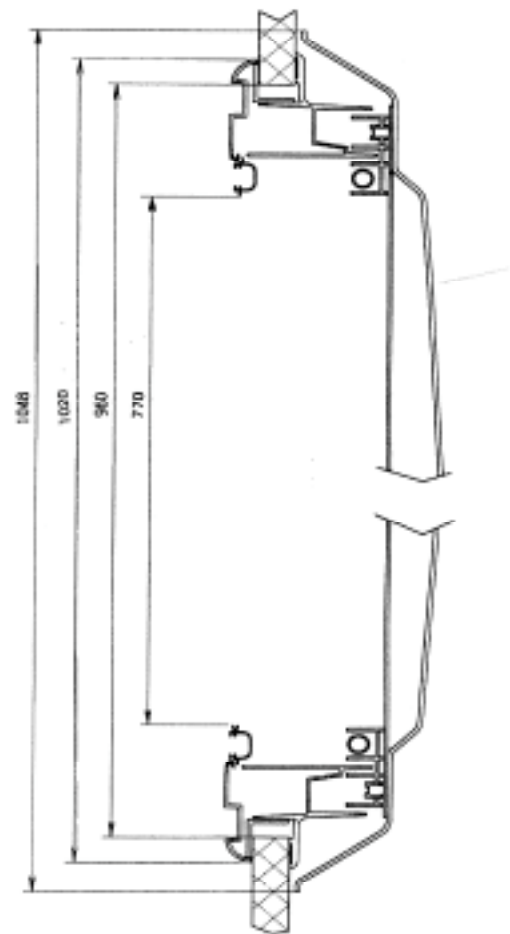
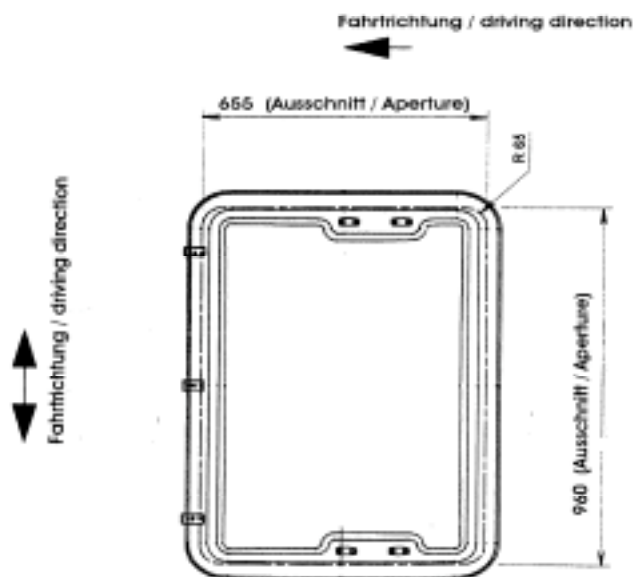


HEKI II DELUX

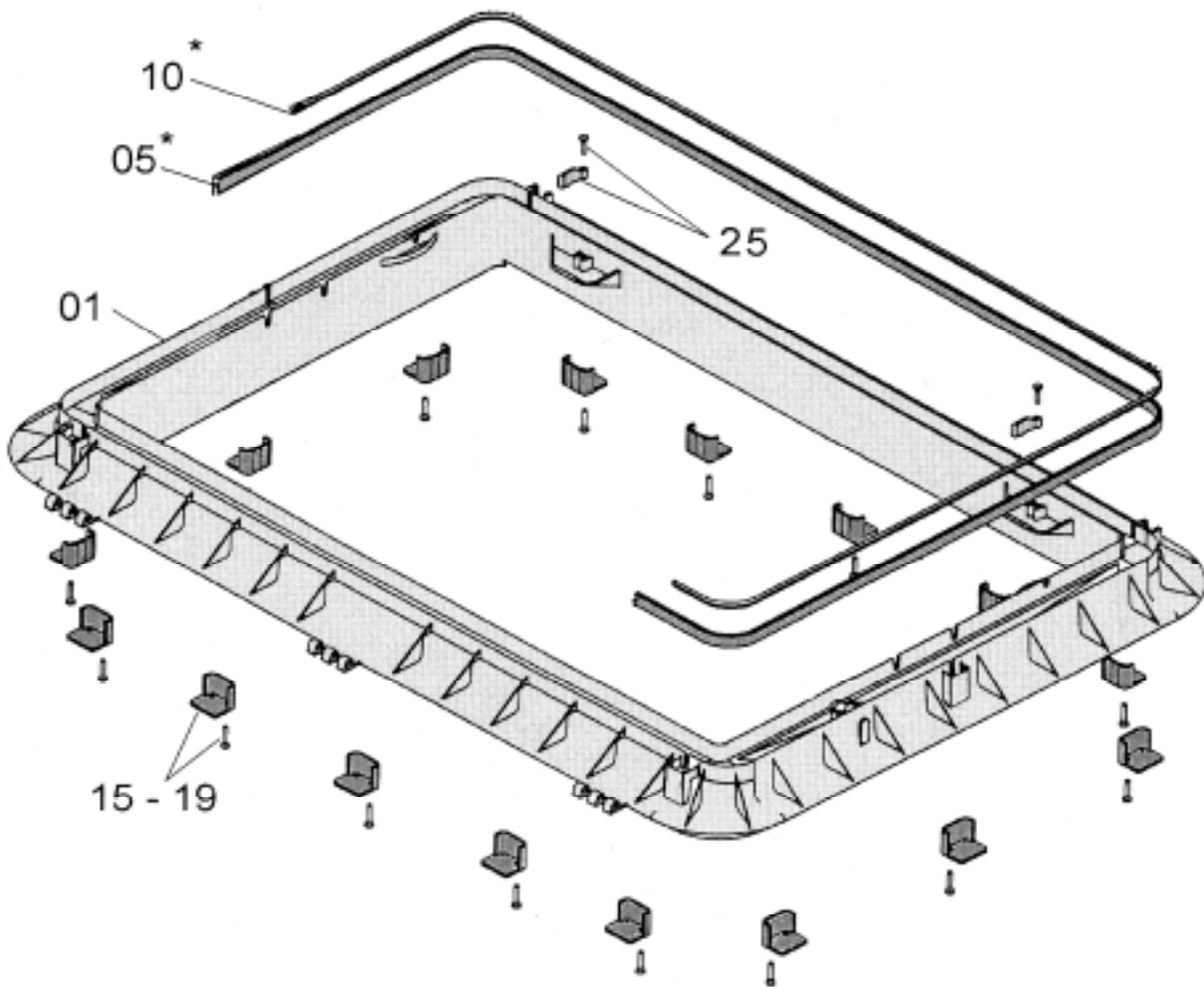
Technical Drawing Heki 2 De Luxe



Gewicht / weight:	11 kg
Öffnungswinkel max. / max. opening:	55 °
Lüftungsquerschnitte / permanent ventilation:	
25 - 26 mm:	115 cm ²
27 - 40 mm:	130 cm ²



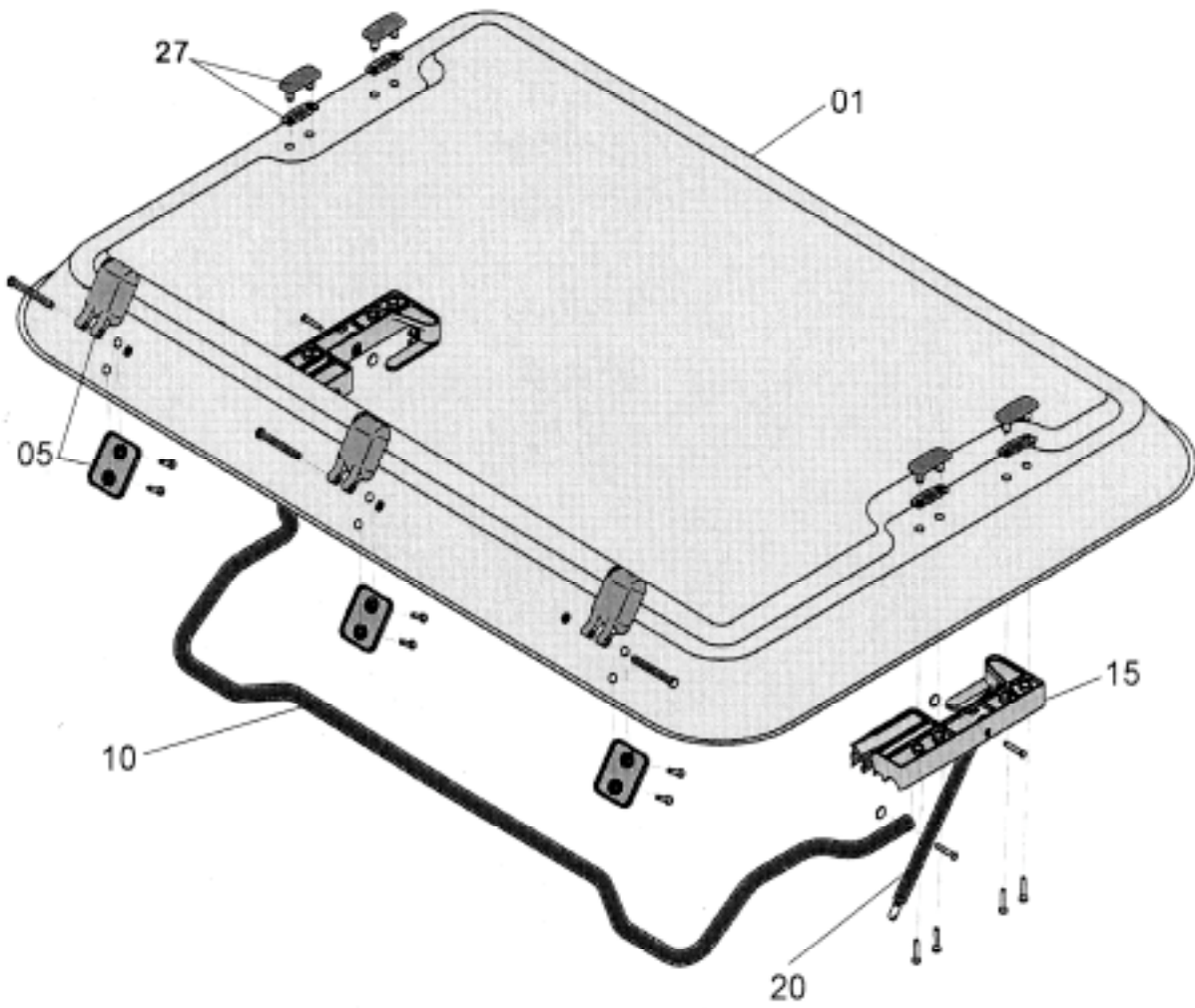
EXTERIOR FRAME



STANDARD COLOURS	CODE
RAL9001 CREAM	25

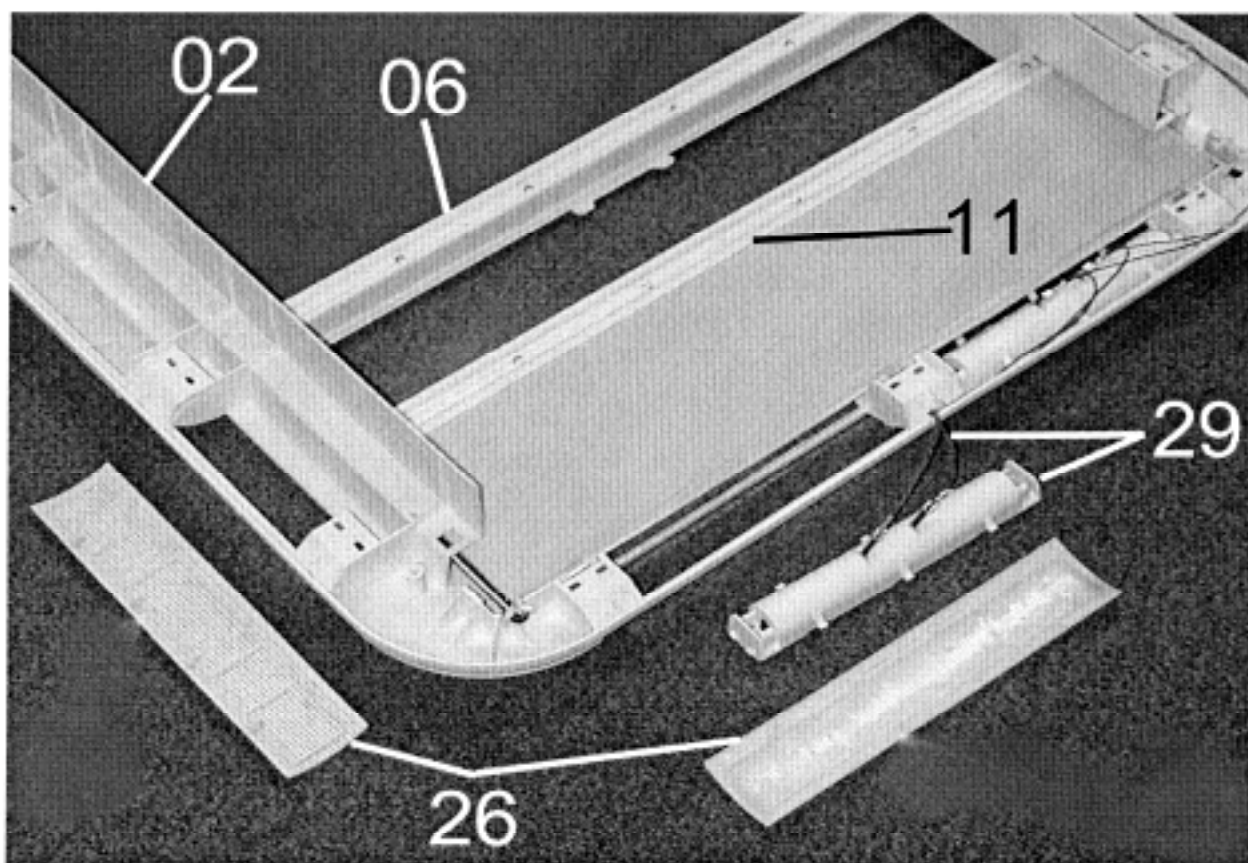
	DESCRIPTION	PART No.	PACK UNIT
01	EXTERIOR FRAME WITHOUT FIXINGS	59OE01	1
05	BRUSH PROFILE*UNTIL 10/98*	59OE05	1
10	BRUSH PROFILE*ONLY FOR MANUFACTURERS*	59OE10	1
15	MOUNTING KIT COMPLETE(25-32mm)GREY	ZUB1347	1 SET
16	MOUNTING KIT COMPLETE(32-39mm)BLACK	ZUB1348	1 SET
17	MOUNTING KIT COMPLETE(39-46mm)YELLOW	ZUB1349	1 SET
18	MOUNTING KIT COMPLETE(46-53mm)BLUE	ZUB1350	1 SET
19	MOUNTING KIT COMPLETE(53-60mm)RED	ZUB1351	1 SET
25	CLOSING BRACKETS FOR OPERATING BAR	59OE25	1 SET

ACRYLIC DOME



	DESCRIPTION	PART No.	PACK UNIT
01	GLAZING PANEL	57OE01	1
05	TOP HINGE	57OE05	1
10	OPERATING BAR	57OE10	1
15	LIFT HANDLES	57OE35	1 SET
20	GAS STRUTS	57OE20	1
27	CAP COVERS	57OE27	1

INTERIOR FRAME



STANDARD COLOURS	CODE
RAL9001 CREAM	25

	DESCRIPTION	PART No.	PACK UNIT
02	INTERIOR FRAME ONLY	58OEO225	1
06	FLYSCREEN COMPLETE	58OEO6	1 SET
11	BLIND COMPLETE	58OE12L7	1 SET
	SPRING MOTOR(NO PICTURE)	FM0082	1
26	VENT PROFILE/LIGHT COVER CREAM	ZB102625	1 SET
26	VENT PROFILE/LIGHT COVER GREY	ZB102609	1 SET
29	SOCKET WITH CABLES(NO LAMP)	58OE29	1 SET
31	INTERIOR FRAME COMPLETE	58OE3525	1