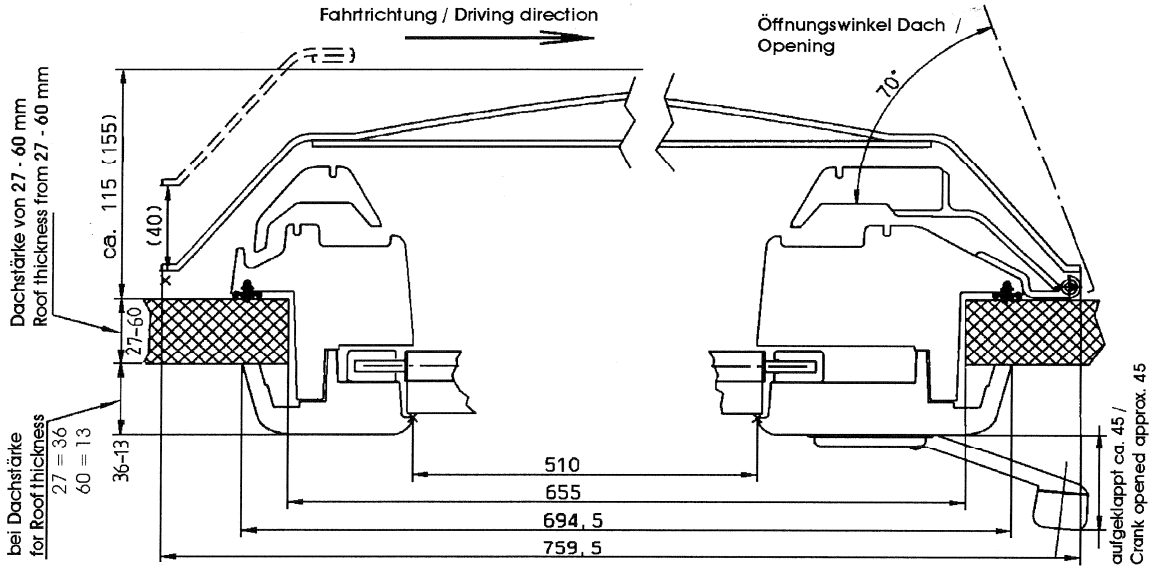
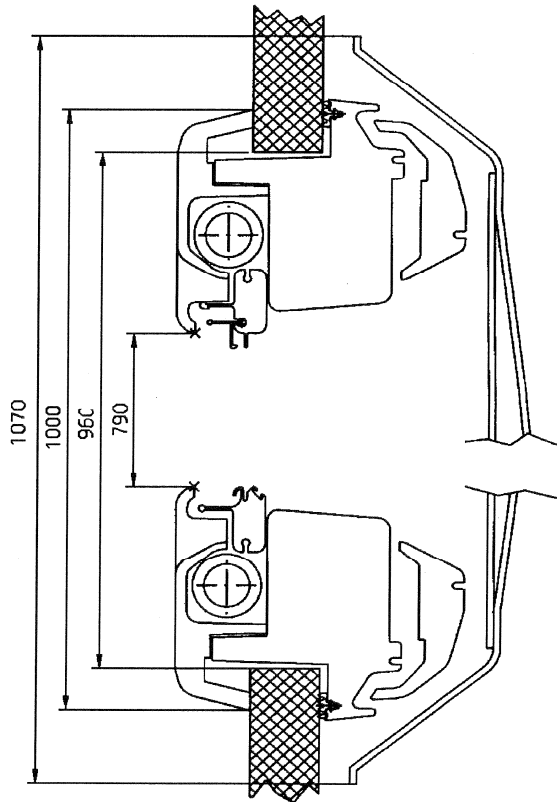
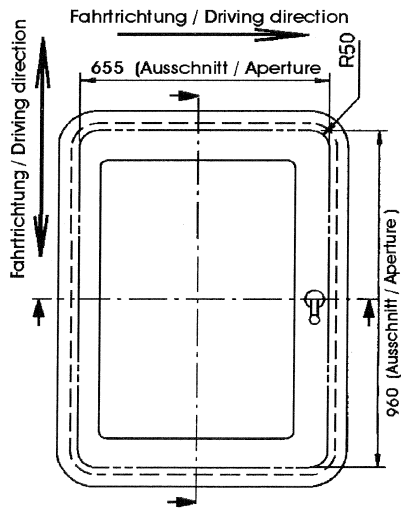


HEKI I

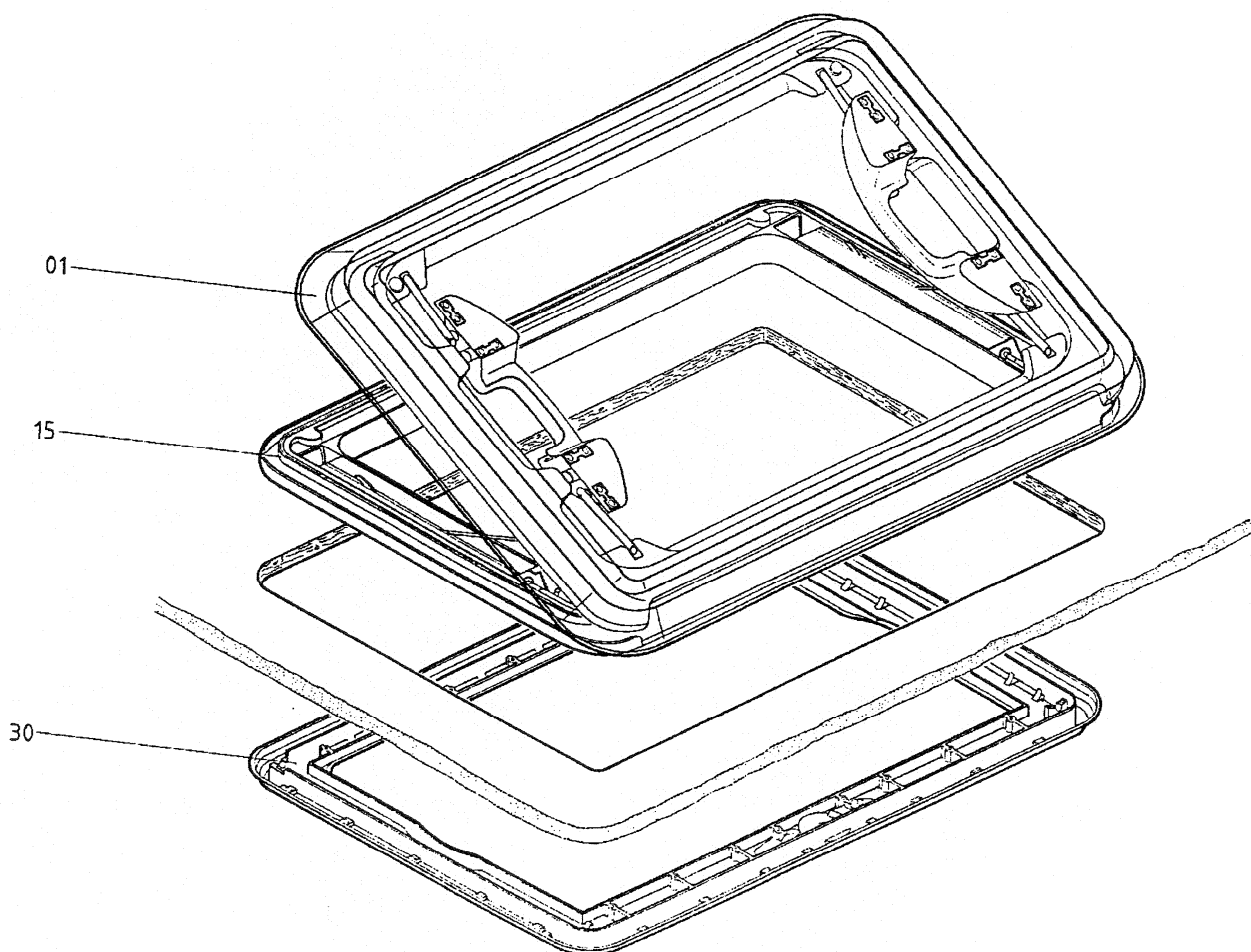
Technical Drawings Heki 1



Gewicht / Weight	: 22 kg
Lüftungsausschnitt bei Zwangslüftung	: 180 cm ²
1/2 Zwangslüftung	: 90 cm ²
Permanent ventilation	: 180 cm ²
1/2 Permanent ventilation:	: 90 cm ²
Öffnungswinkel max./ max. opening	: 70°



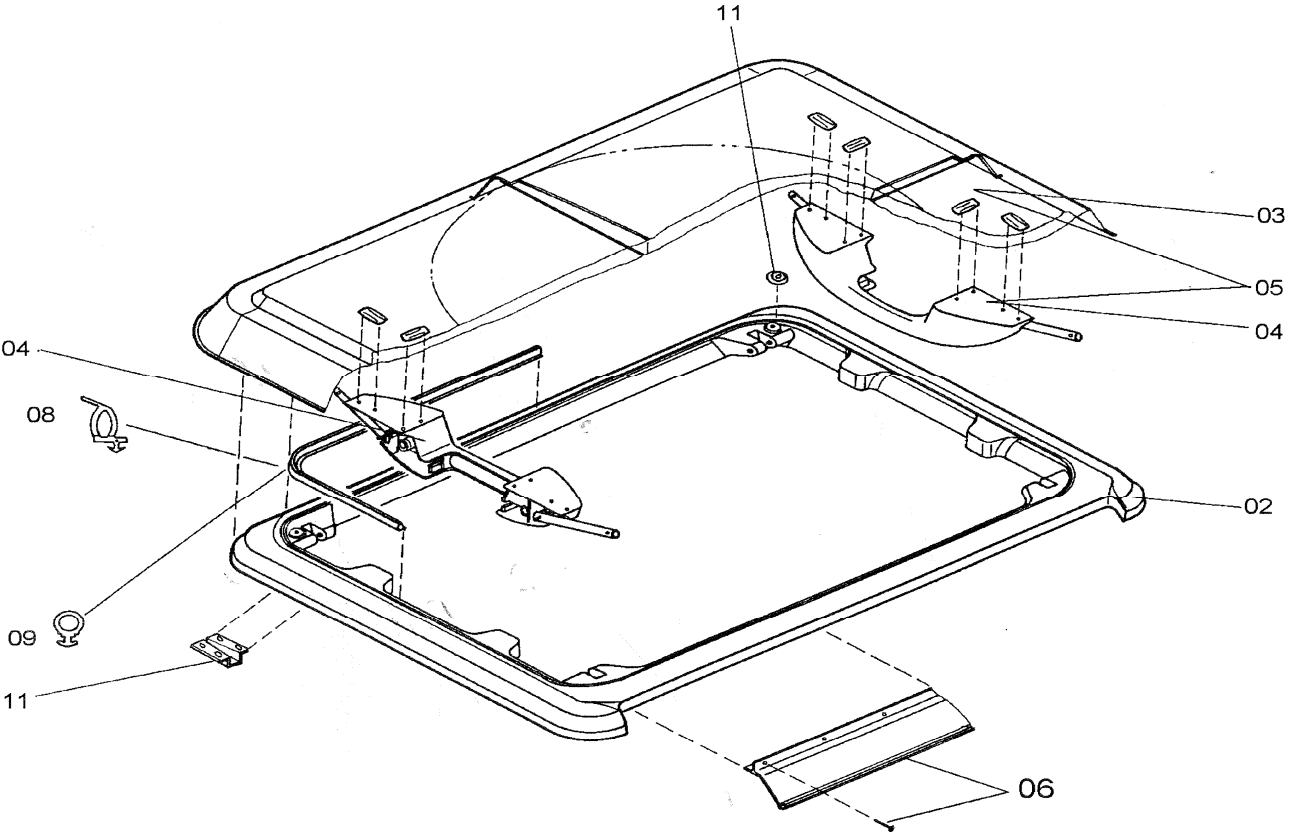
COMPLETE FRAMES



STANDARD COLOURS	CODE	
RAL1015 IVORY*	12	*MANUFACTURERS ONLY
RAL7035 LIGHT GREY*	9	*MANUFACTURERS ONLY
RAL9001 CREAM	25	

	DESCRIPTION	PART No.	PACK UNIT
01	FRAME FOR ACRYLIC DOME WITH VENT	540E01	1
01	FRAME FOR ACRYLIC DOME NO VENT	541E01	1
15	EXTERIOR FRAME WITH VENT	550E01	1
15	EXTERIOR FRAME NO VENT	551E01	1
30	INTERIOR FRAME COMPLETE	560E01-25	1

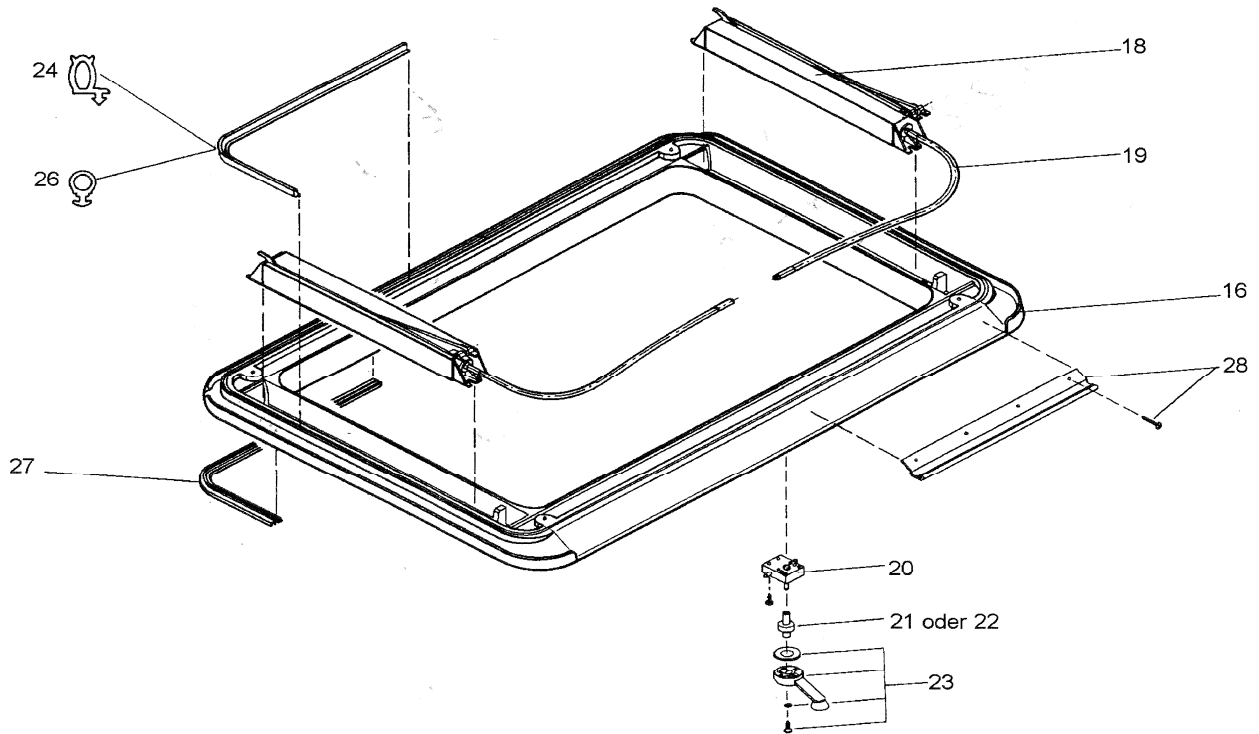
GLAZING FRAMES



STANDARD COLOURS	CODE	
RAL1015 IVORY*	12	*MANUFACTURERS ONLY
RAL7035 LIGHT GREY*	09	*MANUFACTURERS ONLY
RAL9001 CREAM	25	

	DESCRIPTION	PART No.	PACK UNIT
02	GLAZING FRAME ONLY	54OE02	1
03	GLAZING PANNEL (DOME)	54OE03	1
04	HANDLES COMPLETE	54OE04	1
05	GLAZING PANNEL (DOME) WITH HANDLES	54OE11	1 SET
06	FRAME PROFILE (ALU-INCL ASS PARTS)	54OE13	1 SET
08	SEAL NO VENT	54OE12	5 Meters
09	SEAL WITH VENT	54OE07	5 Meters
11	GUIDE PLATES	54OE14	1 SET

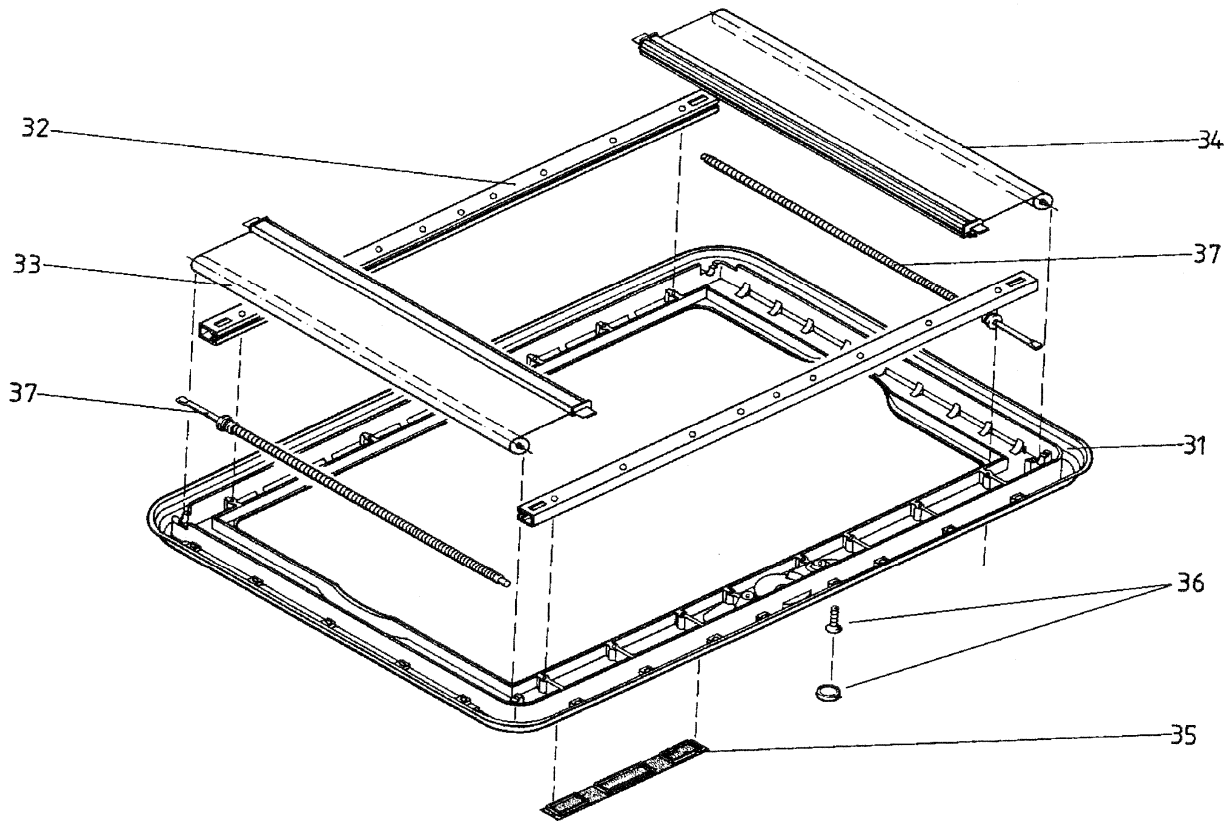
EXTERIOR FRAMES



STANDARD COLOURS	CODE	
RAL1015 IVORY*	12	*MANUFACTURERS ONLY
RAL7035 LIGHTGREY*	09	*MANUFACTURERS ONLY
RAL9001 CREAM	25	

	DESCRIPTION	PART No.	PACK UNIT
16	EXTERIOR FRAME ONLY	55OE16	1
18	DRIVE MECHANISM	55OE18	1 PAIR
19	DRIVE SHAFT	55OE19	1 PAIR
20	MECHANISM FOR CRANK(ROOF 27-59)	55OE2001	1
21	CRANKSHAFT SHORT(ROOF UP TO 55mm)	55OE25	1
22	CRANKSHAFT LONG(ROOF UP TO 60mm)	55OE26	1
23	HANDLE WINDER WITH ASS.PARTS	55OE27	1
24	SEAL NO VENT	54OE06	5 Meters
26	SEAL WITH VENT	54OE07	5 Meters
27	SEAL EXTERIOR FRAME	55OE23	5 Meters
28	FRAME PROFILE	55OE28	1 SET

INTERIOR FRAMES



STANDARD COLOURS	CODE	
RAL1015 IVORY*	12	*MANUFACTURERS ONLY
RAL7035 LIGHTGREY*	09	*MANUFACTURERS ONLY
RAL9001 CREAM	25	

	DESCRIPTION	PART No.	PACK UNIT
31	INTERIOR FRAME ONLY	56OE01	1
32	ROLLO SIDE TRACKS	56OE32	1 PAIR
33	FLYNET COMPLETE	56OE33	1
34	BLIND COMPLETE	56OE34	1
35	VENTILATION PROFILE/COVER CREAM	56OE35	1 SET
35	VENTILATION PROFILE/COVER GREY	56OE35G	1 SET
35	VENTILATION PROFILE/COVER WHITE	56OE35W	1 SET
36	MOUNTING KIT	56OE36	1 SET
37	SPRING MOTOR	FM1002	1