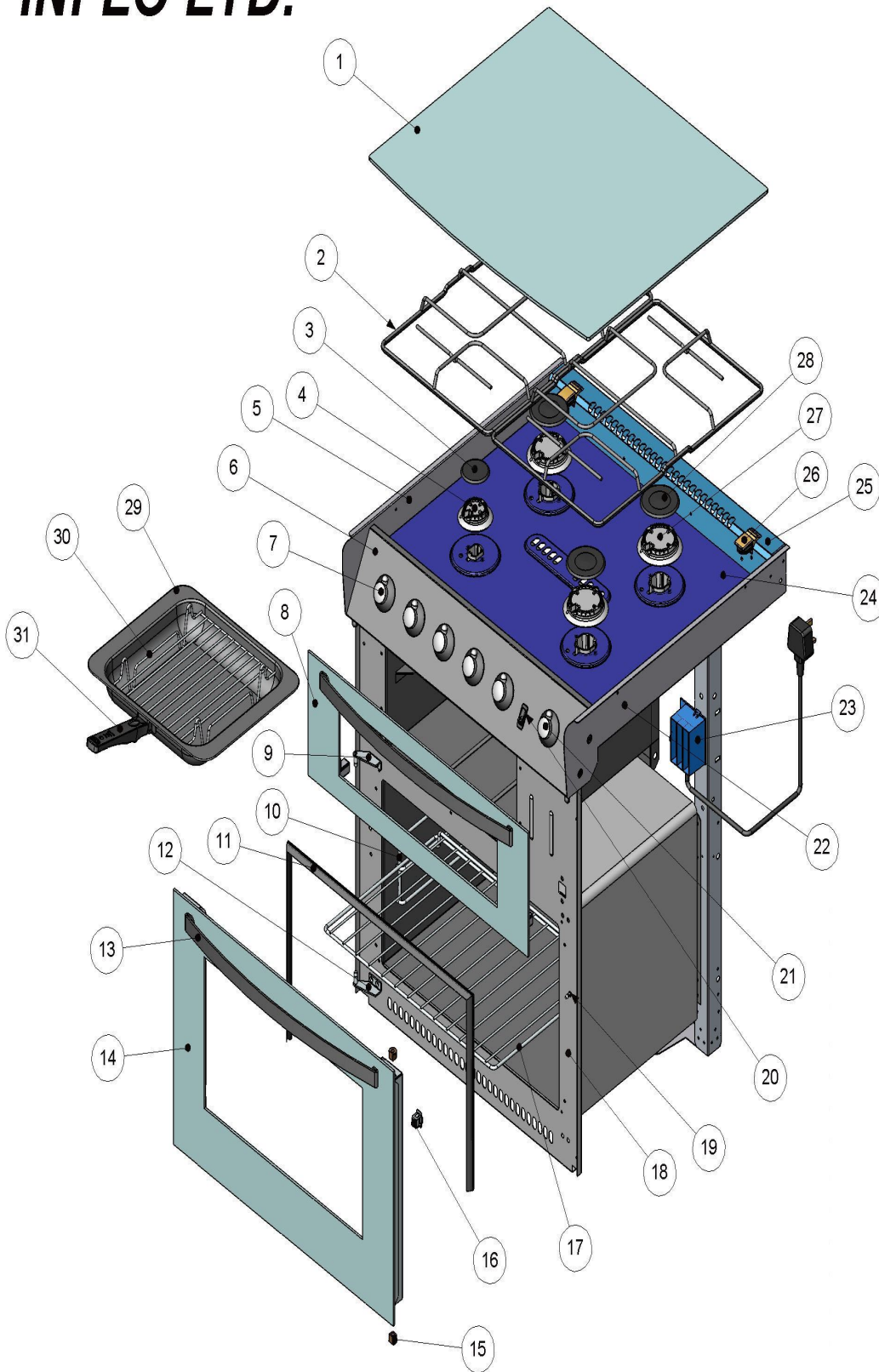


SPINFLO LTD.



ENIGMA

OH96000

DR. REF	PART NUMBER	DESCRIPTION	QTY
1	G900	GLASS LID	1
2	PCC0681.EN	PAN SUPPORT	2
3	PCC0823	AUX BURNER CAP	1
4	PCC0822	AUX BURNER SUPPORT	1
5	MCO3065.BK	HOB TRIM L.H.	1
6	CONTACT LS	FASCIA PANEL	1
7	SEE KNOB PHOTOS	HOB CONTROL KNOB	5
8	CONTACT LS	GRILL DOOR ASSEMBLY	1
9	MCO0684	DOOR HINGE	1
10	PCO0282	SUPPORT FOR OVEN SHELF	2
11	PCC0248	SEAL, OVEN DOOR	1
	PCO0250LH & PCO0251RH	NEW 2 PART DOOR SEAL	1 EACH
12	MCO0685	DOOR HINGE	1
13	PCO0454	THERMOSTAT TAP FOR OVEN	1
	PCO0474	OVEN GAS TAP/ THERMOSTAT NEW SPADE TYPE	1
14	CONTACT LS	OVEN DOOR ASSEMBLY	1
	G1000	OVEN INNER GLASS	
16	PCO0140	DOOR CATCH	1
17	PCO0295	OVEN SHELF	1
18	MCO3060.BK	TRIM, FULL FRONT	1
19	MAC0052	GRILL BURNER	1
	MAC0056	GRILL BURNER NO HOOD AFTER LATE 2006 (FRONT FLUEING)	1
	PCO0138	STUD, DOOR CATCH	1
20	PCC1420	IGNITION SWITCH PUSH	1
20	PCC1340	ROCKER IGN SWITCH	1
21	SEE KNOB PHOTOS	OVEN CONTROL KNOB	1
22	MCO3065.BK	HOB TRIM R.H.	1
23	PCC1391	SPARK GENERATOR 230V	1
24	MCP3071.BK	PRESSING HOB TOP	1
25	MCO3064.BK	HOB TRIM, REAR	1
26	PCC2005.BK	HINGE, GLASS LID	2
27	PCC0802	BURNER HEAD AND SKIRT	3
28	PCC0803	BURNER CAP	3
29	MAC0064	GRILL PAN & HANDLE	1
30	PCC1190	TRIVET	1
31	PCC1186	GRILL PAN HANDLE	1
	MAO0064	OVEN BURNER	1
	PCO0159	THERMOCOUPLE OVEN OLD STYLE	1
	PCC1121	THERMOCOUPLE OVEN NEW SPADE TYPE	1
	PCC1164	THERMOCOUPLE GRILL	1
	PCC1125	THERMOCOUPLE GRILL NEW SPADE TYPE	
	PCC0798	AUX BURNER CUP AND INJECTOR	1
	PCC0797	BURNER CUP AND INJECTOR	3
	PCC1168	HOB THERMOCOUPLE 450mm	2
	PCC1130	REAR HOB T/COUPLE NEW SPADE TYPE	2
	PCC1163	HOB THERMOCOUPLE 220mm	2
	PCC1132	FRONT HOB T/COUPLE NEW SPADE TYPE	2
	PCC0718	HOB BURNER TAP	4
	PCC0728	HOB BURNER TAP NEW SPADE TYPE	4
	PCC0719	GRILL TAP	1
	PCC0729	GRILL TAP NEW SPADE TYPE	1
	PCC1456	SPARK ELECTRODE, 1200mm HOB	2
	PCC1428	SPARK ELECTRODE, 600mm OVEN	1
	PCC1430	SPARK ELECTRODE, 600mm OVEN	1
	PCC1419	SPARK ELECTRODE, 1500mm GRILL	1
	PCC1455	SPARK ELECTRODE, 600mm HOB	1
	PCC1453	SPARK ELECTRODE, 300mm HOB	1
	PCC0500	SHUT OFF VALVE	1
	PCC0770	OVEN JET 65	1
	PCC0775	GRILL + HOB JET 62	5
	PCO0107	CAVITY CLIP (THERMOSTAT PROBE)	2

pre Jan 06
post Jan 06

***GRILL DOOR HINGES ARE PRE BONDED TO DOOR
REQUIRE WHOLE DOOR***