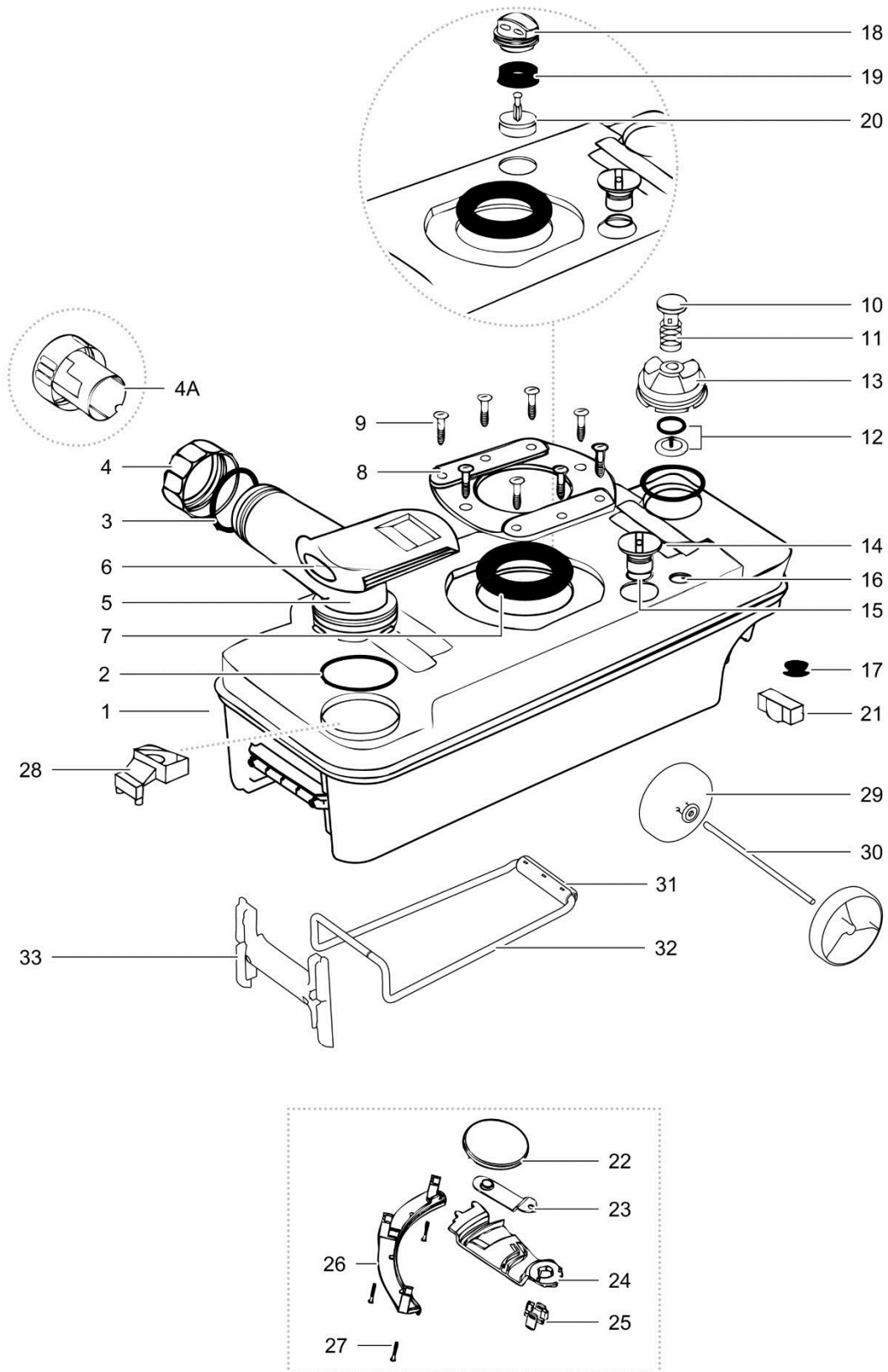
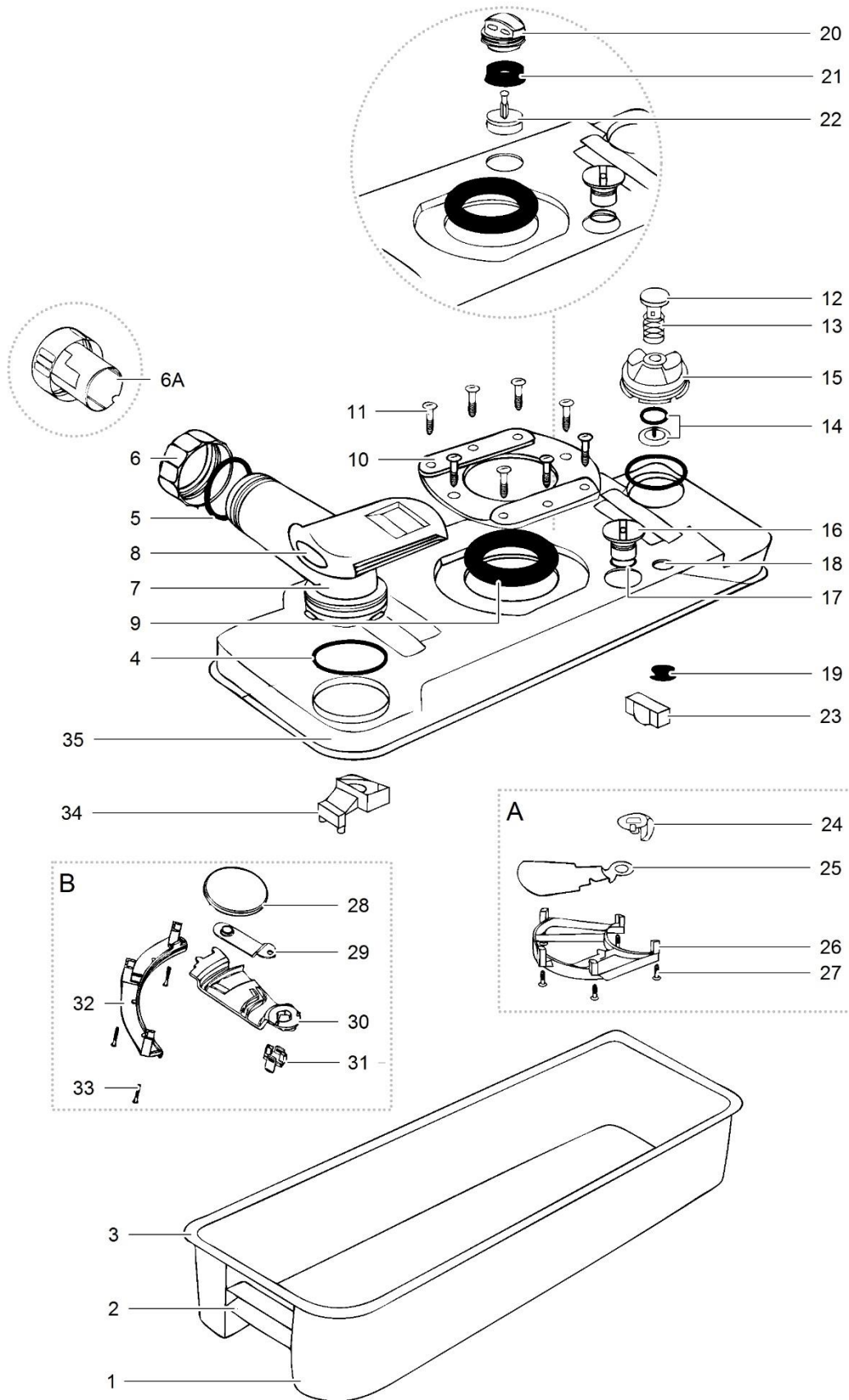


		Spare part number	Spare part number	Colours available
44	Connection draintube			
45	Draintube plug			
46A	Draintube <i>Toilets produced < March 1998</i>	16182		
46B	Draintube <i>Toilets produced > March 1998</i>	21370 <i>left handed version</i>	21371 <i>right handed version</i>	
47	Blind plug			
48	Clamp			
49	Adaptor draintube			
50	Crank			
51	Screw			
52	Washer			
53	Screw			
54	Saddle		20325	74
55	Mechanism housing			
56	Link			
57	Crank			
58	Spring			
59	Plug fill bottle			
60	O-ring			
61	Bowl flange			
62	Bench/watertank			
63	Magnet basket			



	Spare part number	Spare part number	Spare part number	Colours available
1	Waste-holding tank			
2	O-ring			
3	16195	16384	16196	78
4	Dump cap			74
4A	Measuring cup			78
5	Pour out spout			
6	Sliding cover			74
7	Lip seal			
	<i>Toilets < 15th June 2000</i>			16175
	<i>Toilets > 15th June 2000</i>			23721
8	Seal cover			
9	Screw			
10	07524		16176	78
11	Spring			74
12	Seal retainer			
13	Ventplug			
	Blade opener			
14	<i>Toilets < 15th June 2000</i>			21458
	<i>Toilets > 15th June 2000</i>			200501
15	Cupseal			
16	Venthole			
17	Ventseal			20339
18	Automatic vent upper			23722
	<i>Toilets > June 1993</i>			
19	Seal automatic vent		21528	74
20	Foam			
21	Float vent			21510
	Blade mechanism > 15 June 2000			
22	Blade			23847
23	Blade arm			
24	Blade arm driver			
25	Drive arm retainer			
26	Track support			
27	Screw			
28	Float arm			21322
29	Wheels 2X		200640	142
30	Axis			
31	Grip transport handle		200641	74
32	Transport handle		200643	
33	Transport bracket			200644

	Spare part number	Spare part number	Spare part number	Colours available
Waste-holding tank complete for toilets produced > June 1993 <i>Including sliding cover, wheels and handle</i>		200638 <i>right handed version</i>	200639 <i>left handed version</i>	74



	Spare part number	Spare part number	Spare part number	Colours available
1	Waste-holding tank lower			
2	Carry handle			
3	Weld waste-holding tank			
4	O-ring			
5	16195	16384	16196	78
6	Dump cap			74
6A	Measuring cup			78
7	Pour out spout			
8	Sliding cover			74
9	Lip seal <i>Toilets < 15th June 2000</i>			
	<i>Toilets > 15th June 2000</i>			
10	Seal cover			
11	Screw			
12	07524		16176	78
13	Spring			
14	Seal retainer			74
15	Ventplug			
16	Blade opener <i>Toilets < 15th June 2000</i>			74
	<i>Toilets > 15th June 2000</i>			74
17	Cupseal			
18	Venthole			
19	Ventseal			20339
20	Automatic vent upper <i>Toilets > June 1993</i>			23722
21	Seal automatic vent		74	
22	Foam			
23	Float vent			21510
A	Blade mechanism < 15 June 2000			
24	Blade driver			
25	Blade			
26	Blade retainer			
27	Screw			
B	Blade mechanism > 15 June 2000			
28	Blade			23847
29	Blade arm			
30	Blade arm driver			
31	Drive arm retainer			
32	Track support			
33	Screw			
34	Float arm			21322
35	Waste-holding tank upper			
	Waste-holding tank complete			Refer to page 16

Colour Numbers	Description	Colour reference
06	Slate Grey	RAL 7015
07	Traffic Grey	RAL 7042
10	Ivory-United States	Not available
16	Turquoise Green	RAL 6016
30	Mocha	NCS S 2005-Y40R
38	Grey Beige	RAL 1019
44	Beige-Europe	PMS 05543P
47	White/Silver	Not available
57	Creamy White	RAL 9001
62	White/Grey	Not available
66	Light Ivory	RAL 1015
68	Grey White	RAL 9002
74	Moon Grey	Pantone 417
78	Yellow	RAL 1003
79	Edelweiss	Ideal-Std. 46
88	Grey-Brown	Not available
89	Granite	Not available
90	Anthracite Grey	RAL 7016
92	Orange	Not available
111	Signal White	RAL 9003
127	White	NCS S 0300-N
130	Ruby Red	RAL 3003
132	Signal Black	RAL 9004
133	Agate Grey	RAL 7038
135	Light Grey Granite	Not available