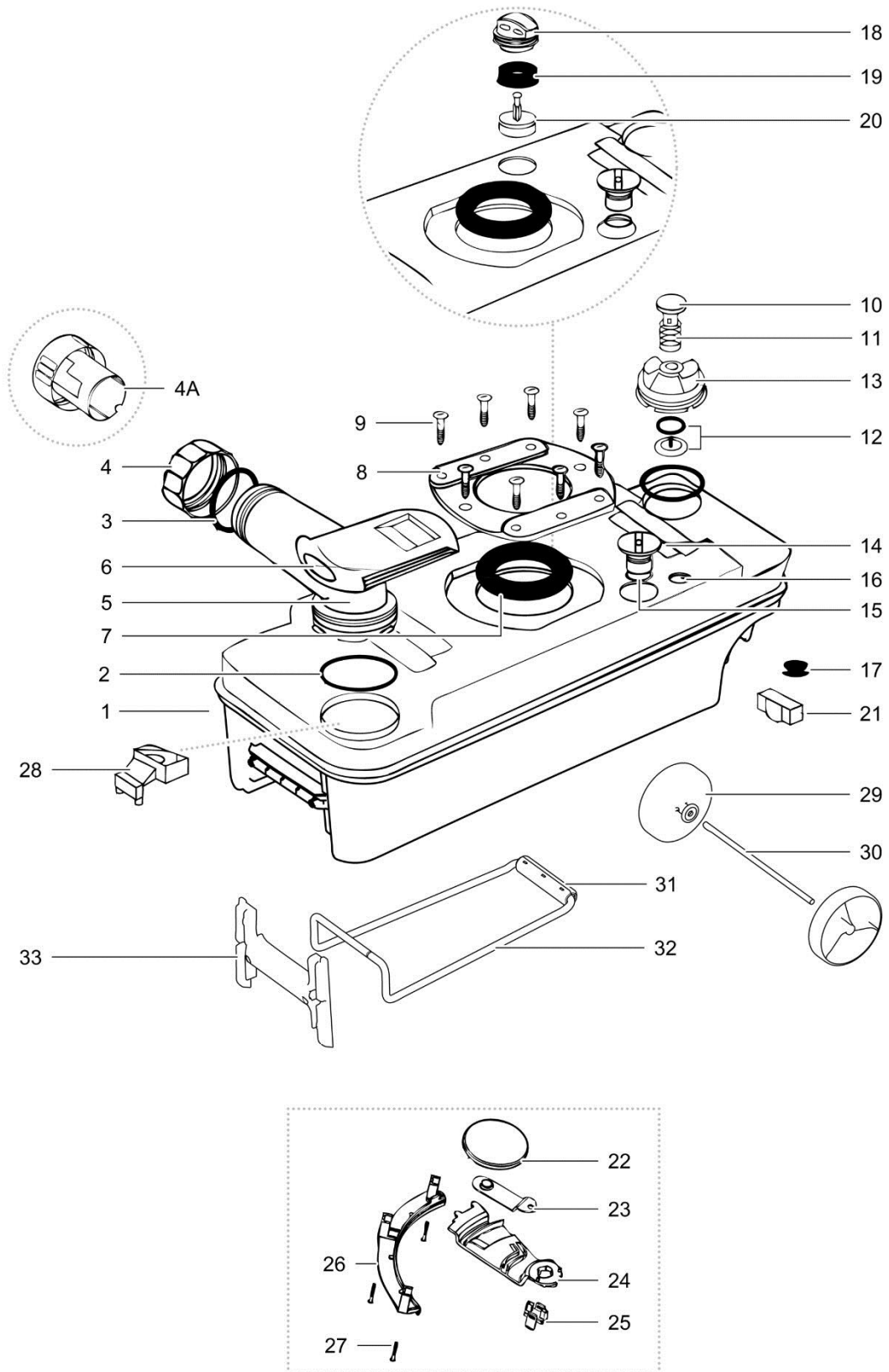


LE:152_C3-Toilet_0115-V02

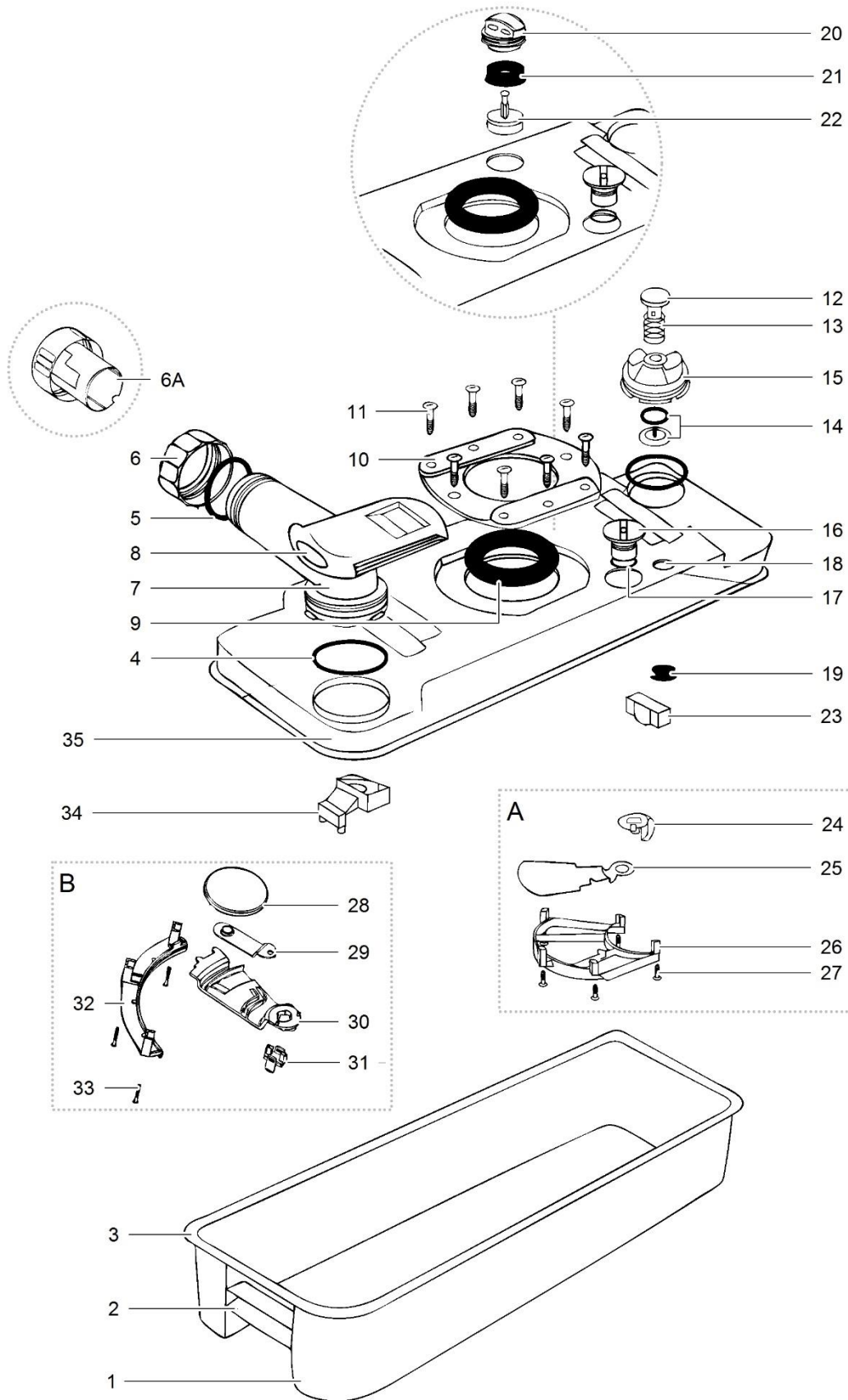
		Spare part number	Spare part number	Colours available
1	Spring clip retainer	16169		
2	Clip retainer		16350	78
3	Clip			
4	Drip tray	16166		78
5	Plug fill bottle			
6	O-ring		16381	74
7	Ball float			
8	O-ring			
9	Stop retainer			
10	Nylon bushing			
11	Spring flush knob		16377	62
12	Flush knob			
13	Screw			
14	Plug flush knob			
15	Cover			
16	Hinge post	16183	16194	62
17	Hinge pin			
18	Seat			
19	Tissue cap			
20	Tissue bracket			
21	Tissue holder			
22	Tissuwell			
23	O-ring	16731		
24	Bowl			
25	Dial support			
26	Magnet			
27	Level indicator dial		16171	62
28	Decal level indicator			
29	Lens			
30	Level indicator bezel			
31	Bench			
32	Base			
33	Frontpanel			
34	Basepad			
35	Extension frontpanel	16266		62
36	Watersupply tube			
37	Electric valve			
38	Hose barb	23851	23709	
39	Hose nut			
40	Watertube			
41	Clamp			
42	Vacuumbreaker		16833	
43	Flush tube			
44	O-ring		20103	62
45	Nozzle			

		Spare part number	Spare part number	Colours available
46	Electric connection mechanism			
47	Electric connection valve			
48	Electric connection relais			
49	Relais	20106		



	Spare part number	Spare part number	Spare part number	Colours available
1	Waste-holding tank			
2	O-ring			
3	16195	16384	16196	78
4	Dump cap			74
4A	Measuring cup			78
5	Pour out spout			
6	Sliding cover			74
7	Lip seal			
	<i>Toilets < 15th June 2000</i>		16175	
	<i>Toilets > 15th June 2000</i>		23721	
8	Seal cover			
9	Screw			
10	07524		16176	78
11	Spring			
12	Seal retainer			74
13	Ventplug			
	Blade opener			
14	<i>Toilets < 15th June 2000</i>		21458	74
	<i>Toilets > 15th June 2000</i>		200501	74
15	Cupseal			
16	Venthole			
17	Ventseal		20339	
18	Automatic vent upper		23722	74
	<i>Toilets > June 1993</i>			
19	Seal automatic vent			
20	Foam			
21	Float vent		21510	
	Blade mechanism > 15 June 2000			
22	Blade		23847	
23	Blade arm			
24	Blade arm driver			
25	Drive arm retainer			
26	Track support			
27	Screw			
28	Float arm		21322	
29	Wheels 2X		200640	142
30	Axis			
31	Grip transport handle		200641	74
32	Transport handle		200643	
33	Transport bracket		200644	74

	Spare part number	Spare part number	Spare part number	Colours available
Waste-holding tank complete for toilets produced > June 1993 <i>Including sliding cover, wheels and handle</i>		200638 <i>right handed version</i>	200639 <i>left handed version</i>	74



LE1156_C2-C3-C4-Waste-holding Tank_0115-V03

	Spare part number	Spare part number	Spare part number	Colours available
1	Waste-holding tank lower			
2	Carry handle			
3	Weld waste-holding tank			
4	O-ring			
5	16195	16384	16196	78
6	Dump cap			74
6A	Measuring cup			78
7	Pour out spout			
8	Sliding cover			74
9	Lip seal			
	<i>Toilets < 15th June 2000</i>			16175
	<i>Toilets > 15th June 2000</i>			23721
10	Seal cover			
11	Screw			
12	07524		16176	78
13	Spring			
14	Seal retainer			74
15	Ventplug			
	Blade opener			
16	<i>Toilets < 15th June 2000</i>			21458
	<i>Toilets > 15th June 2000</i>			200501
17	Cupseal			
18	Venthole			
19	Ventseal			20339
20	Automatic vent upper			23722
	<i>Toilets > June 1993</i>			
21	Seal automatic vent		21528	
22	Foam			
23	Float vent			21510
A	Blade mechanism < 15 June 2000			
24	Blade driver			
25	Blade			
26	Blade retainer			
27	Screw			
B	Blade mechanism > 15 June 2000			
28	Blade			23847
29	Blade arm			
30	Blade arm driver			
31	Drive arm retainer			
32	Track support			
33	Screw			
34	Float arm			21322
35	Waste-holding tank upper			
	Waste-holding tank complete			Refer to page 16

Colour Numbers	Description	Colour reference
06	Slate Grey	RAL 7015
07	Traffic Grey	RAL 7042
10	Ivory-United States	Not available
16	Turquoise Green	RAL 6016
30	Mocha	NCS S 2005-Y40R
38	Grey Beige	RAL 1019
44	Beige-Europe	PMS 05543P
47	White/Silver	Not available
57	Creamy White	RAL 9001
62	White/Grey	Not available
66	Light Ivory	RAL 1015
68	Grey White	RAL 9002
74	Moon Grey	Pantone 417
78	Yellow	RAL 1003
79	Edelweiss	Ideal-Std. 46
88	Grey-Brown	Not available
89	Granite	Not available
90	Anthracite Grey	RAL 7016
92	Orange	Not available
111	Signal White	RAL 9003
127	White	NCS S 0300-N
130	Ruby Red	RAL 3003
132	Signal Black	RAL 9004
133	Agate Grey	RAL 7038
135	Light Grey Granite	Not available