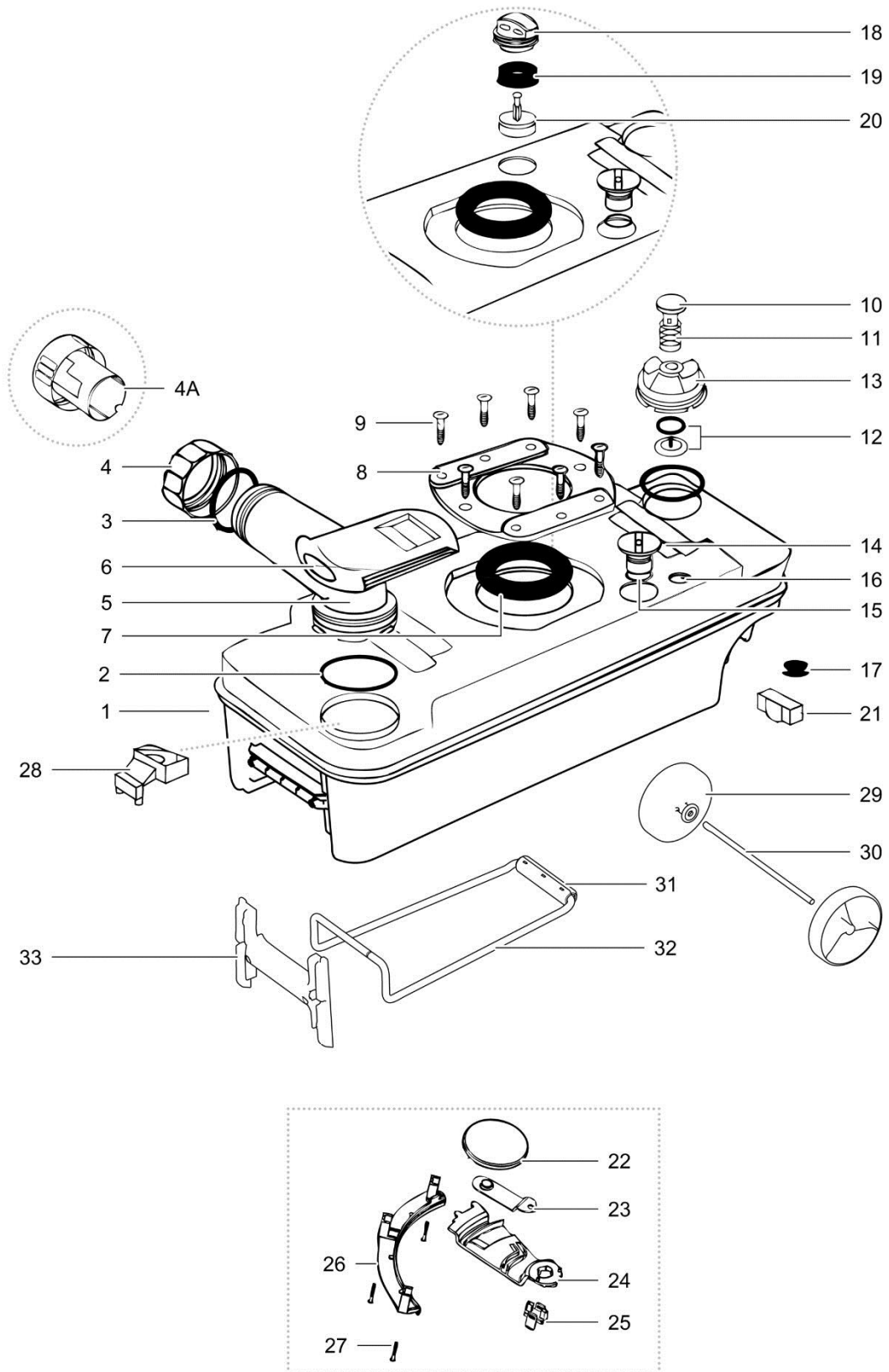
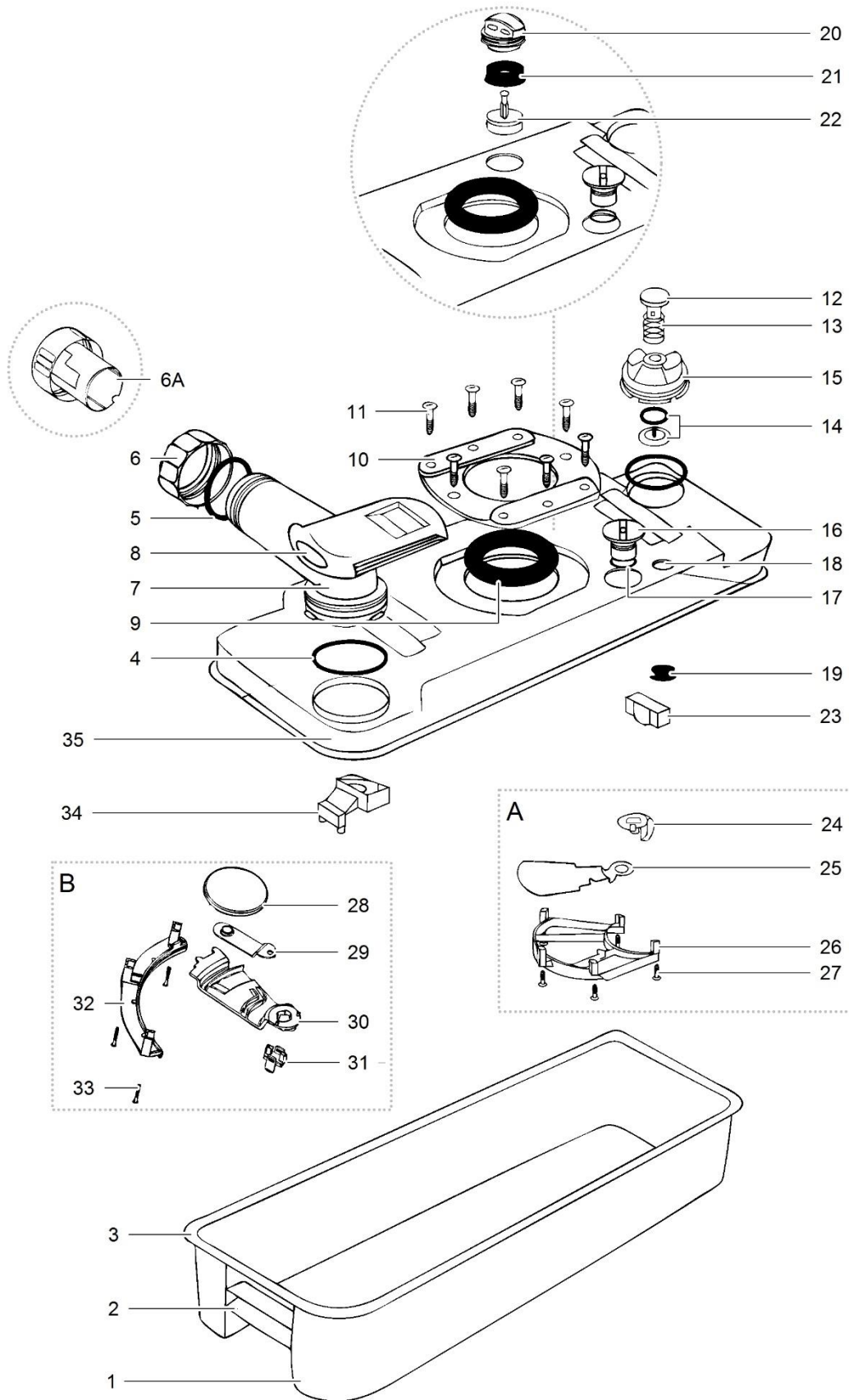


		Spare part number	Spare part number	Colours available
50	Crank			
51	Switch	20107		
52	Screw			
53	Saddle			
54	Washer			
55	Screw			
56	Cable	16389		
57	Switch cover	16390		
58	Cap fuse holder			
59A	Glass fuse 3 Amp <i>Toilets produced &lt; June 1994</i>	16391	16379	74
59B	Fuse 3 Amp <i>Toilets produced &gt; June 1994</i>	21766		
60	Mechanism housing			
61	Link			
62	Crank			
63	Spring			
64	Watersupply tube			
65	Bench			
66	Bowlflange			
67	Magnet basket			



		Spare part number	Spare part number	Spare part number	Colours available
1	Waste-holding tank				
2	O-ring				
3	Capseal	16195	16384	16196	78
4	Dump cap				74
4A	Measuring cup	25810			78
5	Pour out spout				
6	Sliding cover	21333			74
7	Lip seal				
	<i>Toilets &lt; 15th June 2000</i>	16175			
	<i>Toilets &gt; 15th June 2000</i>	23721			
8	Seal cover				
9	Screw				
10	Vent button	07524		16176	78
11	Spring				
12	Seal retainer				74
13	Ventplug				
	Blade opener				
14	<i>Toilets &lt; 15th June 2000</i>			21458	74
	<i>Toilets &gt; 15th June 2000</i>		200501		74
15	Cupseal				
16	Venthole				
17	Ventseal	20339			
18	Automatic vent upper			23722	74
	<i>Toilets &gt; June 1993</i>				
19	Seal automatic vent	21528			
20	Foam				
21	Float vent	21510			
	<b>Blade mechanism &gt; 15 June 2000</b>				
22	Blade	23847			
23	Blade arm				
24	Blade arm driver				
25	Drive arm retainer				
26	Track support				
27	Screw				
28	Float arm	21322			
29	Wheels 2X		200640		142
30	Axis				
31	Grip transport handle	200641		200643	74
32	Transport handle				
33	Transport bracket		200644		74

	Spare part number	Spare part number	Spare part number	Colours available
Waste-holding tank complete for toilets produced > June 1993 <i>Including sliding cover, wheels and handle</i>		200638 <i>right handed version</i>	200639 <i>left handed version</i>	74



LE1156\_C2-C3-C4-Waste-holding Tank\_0115-V03

	Spare part number	Spare part number	Spare part number	Colours available
1	Waste-holding tank lower			
2	Carry handle			
3	Weld waste-holding tank			
4	O-ring			
5	16195	16384	16196	78
6	Dump cap			74
6A	Measuring cup			78
7	Pour out spout			
8	Sliding cover			74
9	Lip seal			
	<i>Toilets &lt; 15th June 2000</i>			16175
	<i>Toilets &gt; 15th June 2000</i>			23721
10	Seal cover			
11	Screw			
12	07524		16176	78
13	Spring			
14	Seal retainer			74
15	Ventplug			
	Blade opener			
16	<i>Toilets &lt; 15th June 2000</i>			21458
	<i>Toilets &gt; 15th June 2000</i>			200501
17	Cupseal			
18	Venthole			
19	Ventseal			20339
20	Automatic vent upper			23722
	<i>Toilets &gt; June 1993</i>			
21	Seal automatic vent		21528	
22	Foam			
23	Float vent			21510
<b>A</b>	<b>Blade mechanism &lt; 15 June 2000</b>			
24	Blade driver			
25	Blade			
26	Blade retainer			
27	Screw			
<b>B</b>	<b>Blade mechanism &gt; 15 June 2000</b>			
28	Blade			23847
29	Blade arm			
30	Blade arm driver			
31	Drive arm retainer			
32	Track support			
33	Screw			
34	Float arm			21322
35	Waste-holding tank upper			
	Waste-holding tank complete			Refer to page 16

Colour Numbers	Description	Colour reference
06	Slate Grey	RAL 7015
07	Traffic Grey	RAL 7042
10	Ivory-United States	Not available
16	Turquoise Green	RAL 6016
30	Mocha	NCS S 2005-Y40R
38	Grey Beige	RAL 1019
44	Beige-Europe	PMS 05543P
47	White/Silver	Not available
57	Creamy White	RAL 9001
62	White/Grey	Not available
66	Light Ivory	RAL 1015
68	Grey White	RAL 9002
74	Moon Grey	Pantone 417
78	Yellow	RAL 1003
79	Edelweiss	Ideal-Std. 46
88	Grey-Brown	Not available
89	Granite	Not available
90	Anthracite Grey	RAL 7016
92	Orange	Not available
111	Signal White	RAL 9003
127	White	NCS S 0300-N
130	Ruby Red	RAL 3003
132	Signal Black	RAL 9004
133	Agate Grey	RAL 7038
135	Light Grey Granite	Not available