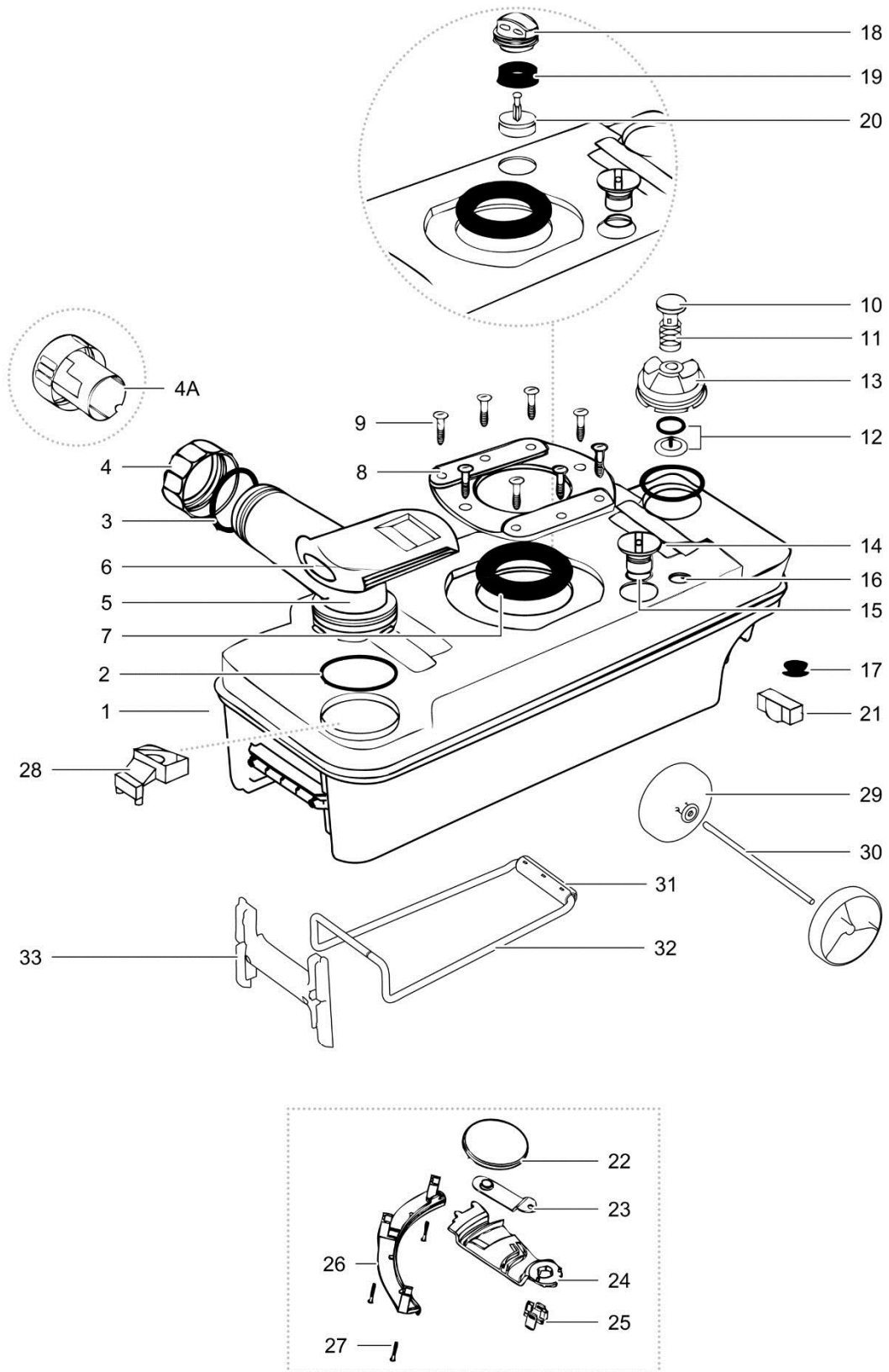


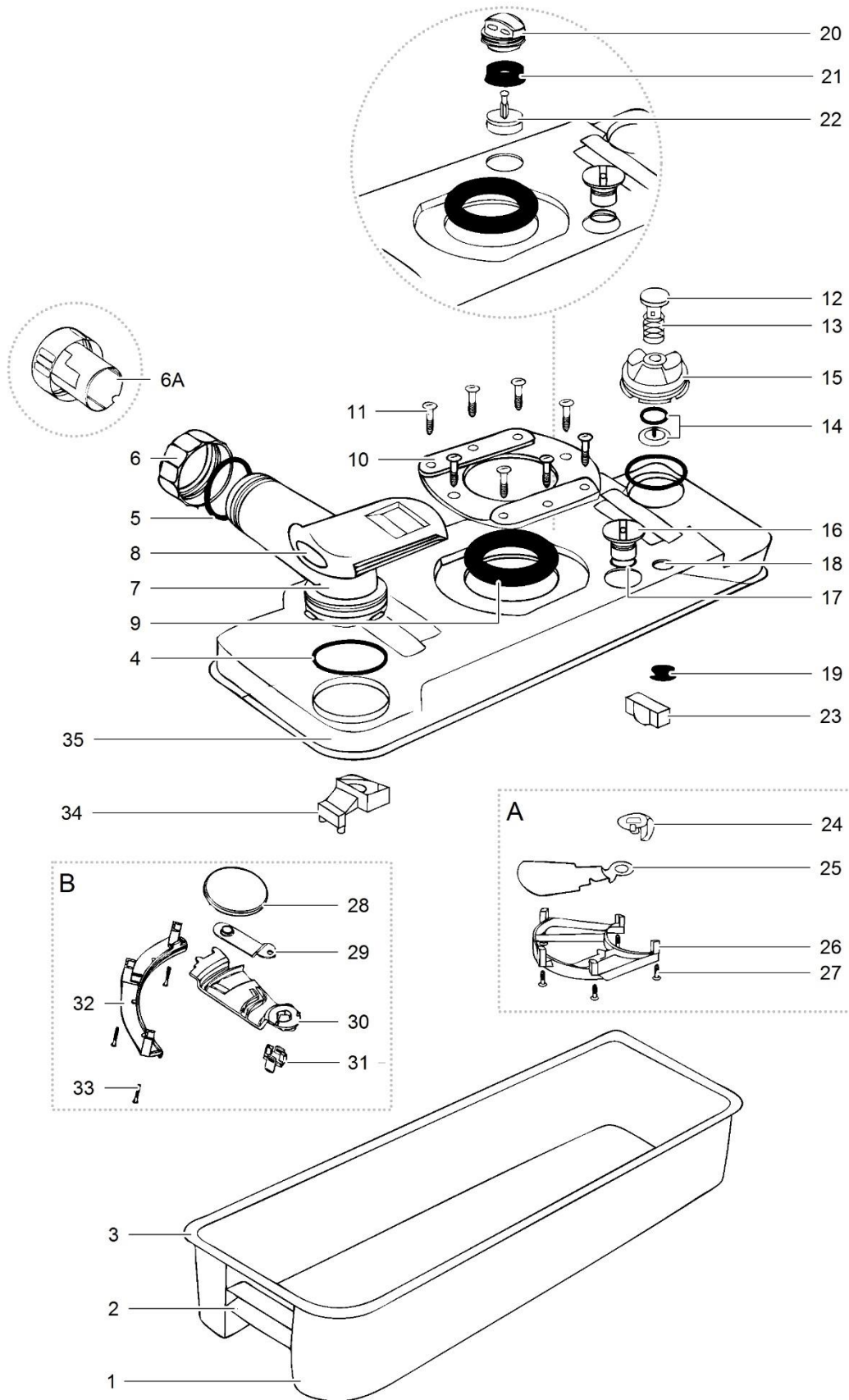
LE1151_C2_bench_1015-V03

| | | Spare part number | Spare part number | Colours available |
|-----|--|----------------------------|-----------------------------|-------------------|
| 46 | Connection draintube | | | |
| 47 | Bracket | | | |
| 48 | Drain connector | | | |
| 49 | Screw | | | |
| 50 | Sight glass | 21370 | 21371 | |
| 51 | Draintube | <i>left handed version</i> | <i>right handed version</i> | |
| 52 | Clamp collar | | | |
| 53 | Blind plug | | | |
| 54 | Fastener | | | |
| 55 | Splash guard | | | |
| 56 | Mechanism housing | | | |
| 57 | Screw | | | |
| 58 | Screw | | | |
| 59 | Switch | 20107 | | |
| 60 | Washer | | | |
| 61 | Saddle | | | |
| 62 | Switch cover | 16390 | | 10 |
| 63 | Cap fuse holder | | | |
| 64A | Glass fuse 3 Amp <i>Toilets produced < June 1994</i> | 16391 | 16379 | 74 |
| 64B | Fuse 3 Amp <i>Toilets produced > June 1994</i> | 21766 | | |
| 65 | Cable | 16389 | | |
| 66 | Link | | | |
| 67 | Crank | | | |
| 68 | Spring | | | |
| 69 | Crank | | | |
| 70 | Plug fill bottle | | | |
| 71 | O-ring | | | |
| 72 | Bowlflange | | | |
| 73 | Bench/watertank | | | |
| 74 | Magnet basket | | | |



| | Spare part number | Spare part number | Spare part number | Colours available |
|----|--|-------------------|-------------------|-------------------|
| 1 | Waste-holding tank | | | |
| 2 | O-ring | | | |
| 3 | 16195 | 16384 | 16196 | 78 |
| 4 | Dump cap | | | 74 |
| 4A | Measuring cup | | | 78 |
| 5 | Pour out spout | | | |
| 6 | Sliding cover | | | 74 |
| 7 | Lip seal | | | |
| | <i>Toilets < 15th June 2000</i> | | | 16175 |
| | <i>Toilets > 15th June 2000</i> | | | 23721 |
| 8 | Seal cover | | | |
| 9 | Screw | | | |
| 10 | 07524 | | 16176 | 78 |
| 11 | Spring | | | 74 |
| 12 | Seal retainer | | | |
| 13 | Ventplug | | | |
| | Blade opener | | | |
| 14 | <i>Toilets < 15th June 2000</i> | | | 21458 |
| | <i>Toilets > 15th June 2000</i> | | | 200501 |
| 15 | Cupseal | | | |
| 16 | Venthole | | | |
| 17 | Ventseal | | | 20339 |
| 18 | Automatic vent upper | | | 23722 |
| | <i>Toilets > June 1993</i> | | | |
| 19 | Seal automatic vent | | 21528 | 74 |
| 20 | Foam | | | |
| 21 | Float vent | | | 21510 |
| | Blade mechanism > 15 June 2000 | | | |
| 22 | Blade | | | 23847 |
| 23 | Blade arm | | | |
| 24 | Blade arm driver | | | |
| 25 | Drive arm retainer | | | |
| 26 | Track support | | | |
| 27 | Screw | | | |
| 28 | Float arm | | | 21322 |
| 29 | Wheels 2X | | 200640 | 142 |
| 30 | Axis | | | |
| 31 | Grip transport handle | | 200641 | 74 |
| 32 | Transport handle | | 200643 | |
| 33 | Transport bracket | | | 200644 |

| | Spare part number | Spare part number | Spare part number | Colours available |
|---|-------------------|---------------------------------------|--------------------------------------|-------------------|
| Waste-holding tank complete for toilets produced > June 1993 <i>Including sliding cover, wheels and handle</i> | | 200638 <i>right handed version</i> | 200639 <i>left handed version</i> | 74 |



LE1156_C2-C3-C4-Waste-holding Tank_0115-V03

| | Spare part number | Spare part number | Spare part number | Colours available |
|----------|--|-------------------|-------------------|-------------------|
| 1 | Waste-holding tank lower | | | |
| 2 | Carry handle | | | |
| 3 | Weld waste-holding tank | | | |
| 4 | O-ring | | | |
| 5 | 16195 | 16384 | 16196 | 78 |
| 6 | Dump cap | | | 74 |
| 6A | Measuring cup | | | 78 |
| 7 | Pour out spout | | | |
| 8 | Sliding cover | | | 74 |
| 9 | Lip seal | | | |
| | <i>Toilets < 15th June 2000</i> | | | 16175 |
| | <i>Toilets > 15th June 2000</i> | | | 23721 |
| 10 | Seal cover | | | |
| 11 | Screw | | | |
| 12 | 07524 | | 16176 | 78 |
| 13 | Spring | | | |
| 14 | Seal retainer | | | 74 |
| 15 | Ventplug | | | |
| | Blade opener | | | |
| 16 | <i>Toilets < 15th June 2000</i> | | | 21458 |
| | <i>Toilets > 15th June 2000</i> | | | 200501 |
| 17 | Cupseal | | | |
| 18 | Venthole | | | |
| 19 | Ventseal | | | 20339 |
| 20 | Automatic vent upper | | | 23722 |
| | <i>Toilets > June 1993</i> | | | |
| 21 | Seal automatic vent | | 21528 | |
| 22 | Foam | | | |
| 23 | Float vent | | | 21510 |
| A | Blade mechanism < 15 June 2000 | | | |
| 24 | Blade driver | | | |
| 25 | Blade | | | |
| 26 | Blade retainer | | | |
| 27 | Screw | | | |
| B | Blade mechanism > 15 June 2000 | | | |
| 28 | Blade | | | 23847 |
| 29 | Blade arm | | | |
| 30 | Blade arm driver | | | |
| 31 | Drive arm retainer | | | |
| 32 | Track support | | | |
| 33 | Screw | | | |
| 34 | Float arm | | | 21322 |
| 35 | Waste-holding tank upper | | | |
| | Waste-holding tank complete | | | Refer to page 16 |

| Colour Numbers | Description | Colour reference |
|-----------------------|---------------------|-------------------------|
| 06 | Slate Grey | RAL 7015 |
| 07 | Traffic Grey | RAL 7042 |
| 10 | Ivory-United States | Not available |
| 16 | Turquoise Green | RAL 6016 |
| 30 | Mocha | NCS S 2005-Y40R |
| 38 | Grey Beige | RAL 1019 |
| 44 | Beige-Europe | PMS 05543P |
| 47 | White/Silver | Not available |
| 57 | Creamy White | RAL 9001 |
| 62 | White/Grey | Not available |
| 66 | Light Ivory | RAL 1015 |
| 68 | Grey White | RAL 9002 |
| 74 | Moon Grey | Pantone 417 |
| 78 | Yellow | RAL 1003 |
| 79 | Edelweiss | Ideal-Std. 46 |
| 88 | Grey-Brown | Not available |
| 89 | Granite | Not available |
| 90 | Anthracite Grey | RAL 7016 |
| 92 | Orange | Not available |
| 111 | Signal White | RAL 9003 |
| 127 | White | NCS S 0300-N |
| 130 | Ruby Red | RAL 3003 |
| 132 | Signal Black | RAL 9004 |
| 133 | Agate Grey | RAL 7038 |
| 135 | Light Grey Granite | Not available |